

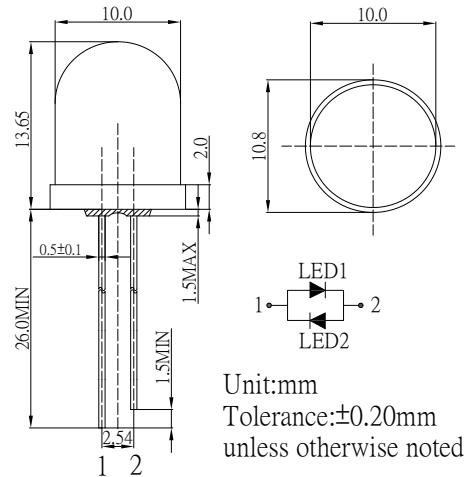
### ■ Features

- High Luminous LEDs
- 10mm Round Standard Directivity
- Long Lifetime Operation
- UV Resistant Epoxy
- Water Clear Type
- Bi-polar Type

### ■ Applications

- Electronic Signs And Signals
- Small Area Illuminations
- Back Lighting
- Other Lighting

### ■ Outline Dimension

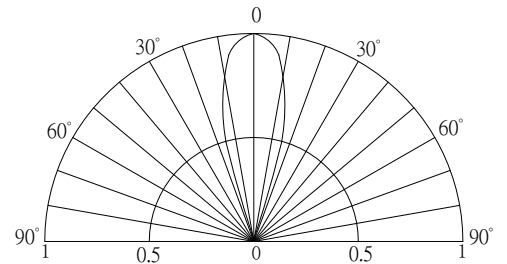


### ■ Absolute Maximum Rating

(Ta=25°C)

Item	Symbol	Value		Unit
		W/M/BL/PG	O/Y/R	
DC Forward Current	I <sub>F</sub>	30	30	mA
Pulse Forward Current#	I <sub>FP</sub>	100	100	mA
Reverse Voltage	V <sub>R</sub>	5	5	V
Power Dissipation	P <sub>D</sub>	108	78	mW
Operating Temperature	T <sub>opr</sub>	-30 ~ +85		°C
Storage Temperature	T <sub>stg</sub>	-40 ~ +100		°C
Lead Soldering Temperature	T <sub>sol</sub>	260°C/5sec		-

### ■ Directivity



#Pulse width Max.10ms Duty ratio max 1/10

### ■ Electrical -Optical Characteristics

(Ta=25°C)

Part Number	Color		V <sub>F</sub> (V)*			I <sub>R</sub> (μA)	I <sub>v</sub> (mcd)*			Wd(nm)/CCT*			2θ1/2(deg)	
			Min.	Typ.	Max.		Max.	Min.	Typ.	Max.	Min.	Typ.		Max.
			I <sub>F</sub> =20mA				V <sub>R</sub> =5V		I <sub>F</sub> =20mA					
OSWWD2A131A	Pure White	W	-	2.9	3.4	10	8400	10000	-	5500-8500K			30	
OSMMD2A131A	Warm White	M	-	2.9	3.4	10	7000	8400	-	2700-3200K			30	
OSBBS2A131A	Blue	BL	-	2.9	3.4	10	4200	5800	-	465	470	475	30	
OSPPD2A131A	Pure Green	PG	-	2.9	3.4	10	7000	8400	-	520	525	530	30	
OSOOP2A131A	Orange	O	-	2.1	2.6	10	5800	7000	-	6000	605	610	30	
OSYYP2A131A	Yellow	Y	-	2.1	2.6	10	5800	7000	-	585	590	595	30	
OSRRP2A131A	Red	R	-	2.1	2.6	10	5800	7000	-	620	625	630	30	

\*1 Tolerance of measurements of chromaticity coordinate/CCT is ±10%

\*2 Tolerance of measurements of dominant wavelength is ±1nm

\*3 Tolerance of measurements of luminous intensity is ±15%

\*4 Tolerance of measurements of forward voltage is ±0.1V