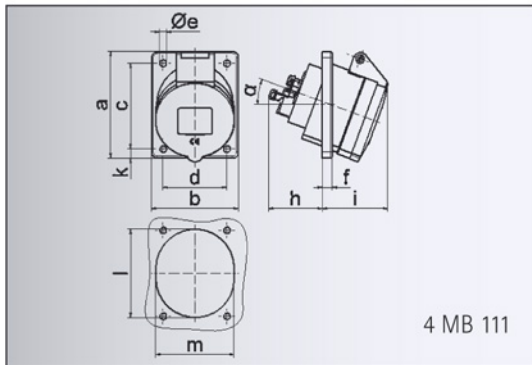


Data sheet

Order number: 12772

panel mounting socket outlet Quick-Connect, angled

Ampere	16A
Poles	3p (2P+PE)
Orientation	6 h
Voltage	200 up to 250V
Frequency	50 and 60Hz
Protection	IP44
Color Code	RAL 5010 blue (Hinged Cover)
Connection Design	screwless spring terminals as cage clamp with Kontext-contact button
Contact carrier	made of Polyamide contacts are brass
Material of enclosure	Housing material PA6(GB+GF)30 RAL 7035



Ampere	16	16	16
Polzahl	3	4	5
a	68,0	87,0	87,0
b	62,0	71,0	71,0
c	47,0	70,0	70,0
d	47,0	52,0	52,0
e ø	5,5	5,5	5,5
f	8,0	5,5	5,5
h	46,0	46,0	46,0
i	50,0	54,0	54,0
k	-	9,5	9,5
l	56,0	65,0	72,0
m	51,0	58,0	64,0
α	20°	20°	20°
Leiter mm ² min	1,5	1,5	1,5
Leiter mm ² max	4	4	4