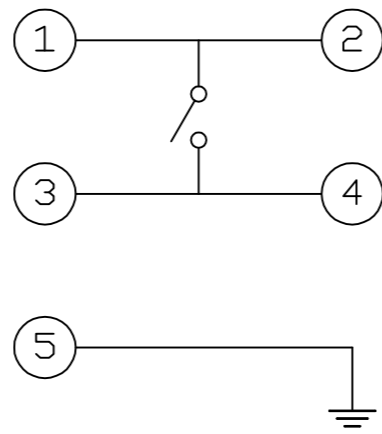
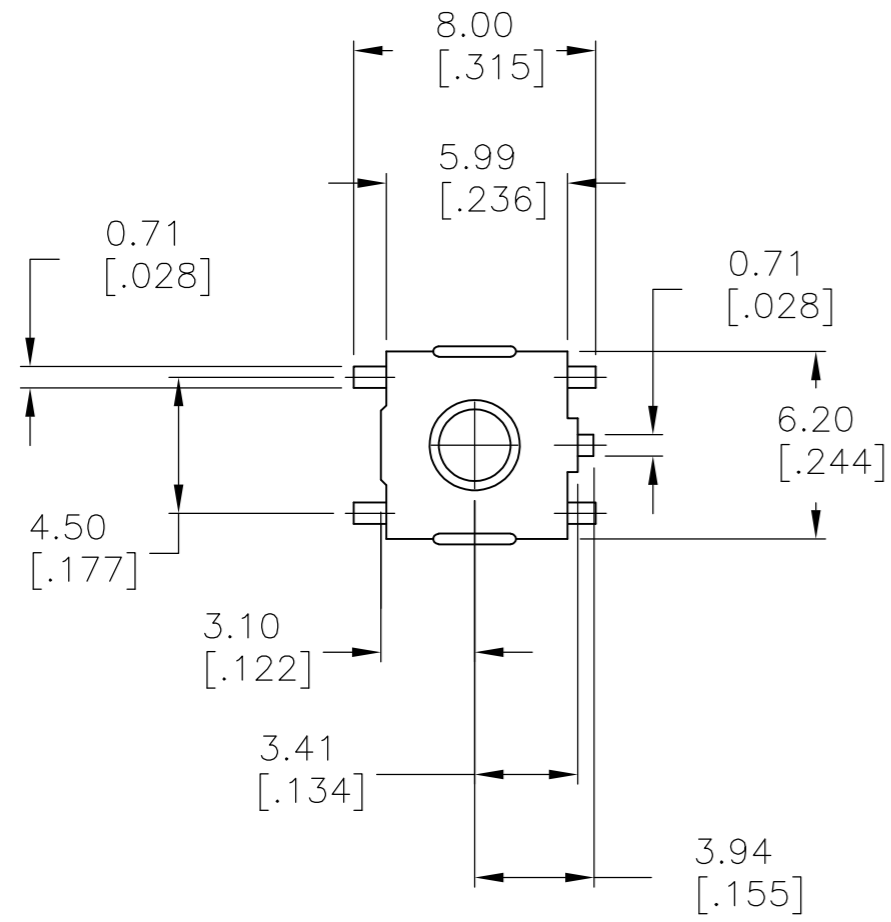
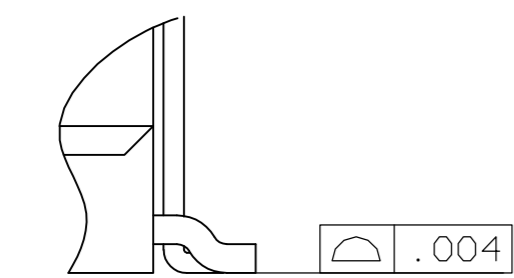
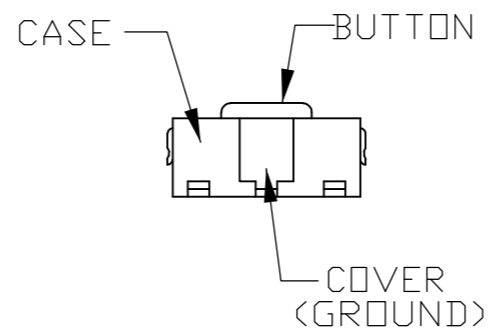
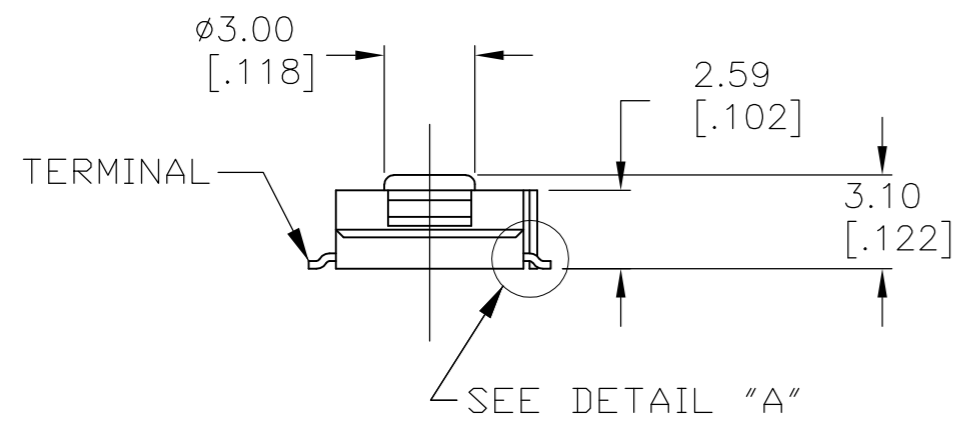


THIS DRAWING IS UNPUBLISHED. RELEASED FOR PUBLICATION
 © COPYRIGHT BY TYCO ELECTRONICS CORPORATION. ALL RIGHTS RESERVED.

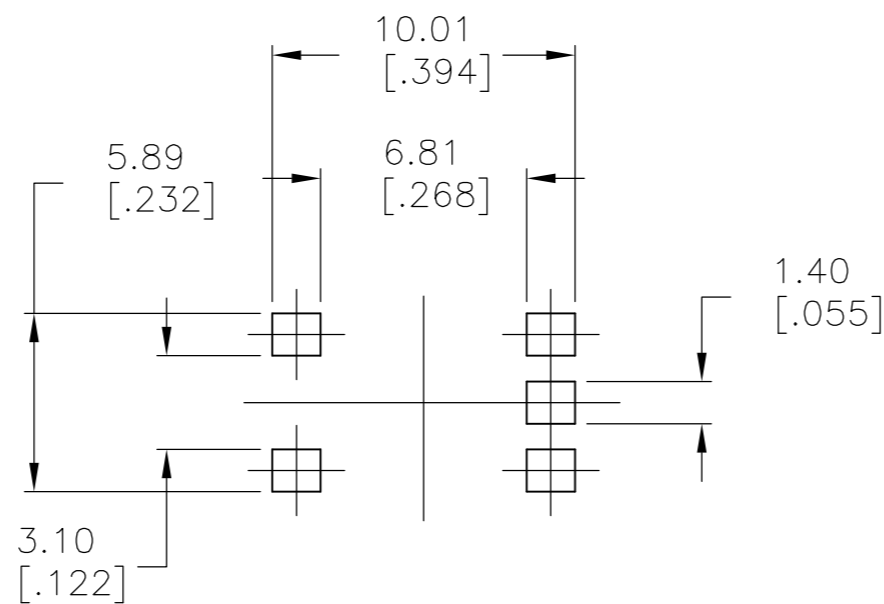
| LOC | | DIST | | REVISIONS | | | |
|-----|-----|---------------|-----------|-----------|------|--|--|
| P | LTR | DESCRIPTION | DATE | DWN | APVD | | |
| | D1 | ECO-07-019163 | 05NOV2007 | RB | MS | | |



CIRCUIT DIAGRAM



DETAIL "A"
SCALE 15:1



P.C.B. FOOTPRINT

SPECIFICATIONS:

CASE: PPS, 94V0, BLACK.
 COVER: COPPER ALLOY-TIN PLATE.
 ACTUATOR BUTTON: SEE TABLE, COLOR.
 MOVING CONTACT: COPPER ALLOY, SILVER FINISH.
 FIXED CONTACT/TERMINAL: COPPER ALLOY, SILVER FINISH.

ELECTRICAL:
 MAX CONTACT RATING: 50MILLIAMPS@24V DC
 MIN CONTACT RATING: 10MICROAMPS@1V DC
 CONTACT RESISTANCE: 100 MILLIOHMS MAX.
 INSULATION RESISTANCE: 100 MEGOHMS MIN. @ 100 VDC.
 DIELECTRIC STRENGTH: 500 VAC 50/60 Hz FOR 1 MINUTE
 LIFE EXPECTANCY: 100,000 CYCLES.

MECHANICAL:
 ACTUATION FORCE: SEE CHART.
 ACTUATION TRAVEL: 0.25 +0.20/-0.10 [.010 +.008/-0.004]

ENVIRONMENTAL:
 OPERATING TEMPERATURE: -35°C TO +85°C
 STORAGE TEMPERATURE: -35°C TO +85°C
 SOLDER HEAT RESISTANCE PER 109-201, COND B.

SOLDERABILITY:
 SPECIFICATION EIA-364-52, CLASS 1, CATEGORY 2

NOTES:

- ALL MATERIALS AND FINISHES SHALL COMPLY WITH EU DIRECTIVE 2002/95/EC OF 27JAN2003 (ROHS)
- TAPE AND REEL PACKAGING PER EIA-481

| PART NUMBER | PART NUMBER | ACTUATOR MATERIAL | ACTUATOR BUTTON COLOR | ACTUATION FORCE | PACKAGING |
|-------------|-------------|-------------------|-----------------------|-----------------|-------------|
| 1-1437565-6 | FSM1LP | PPA UL94HB | BLACK | 160 ±50 gm. | BULK |
| 1-1437565-9 | FSM1LPTR | PPA UL94HB | BLACK | 160 ±50 gm. | TAPE & REEL |
| 1-1437565-7 | FSM1LPA | PPS UL94V-0 | BROWN | 260 ±50 gm. | BULK |
| 1-1437565-8 | FSM1LPATR | PPS UL94V-0 | BROWN | 260 ±50 gm. | TAPE & REEL |

| | | | | | |
|--|--------------|------------------|-----------|---|--|
| THIS DRAWING IS A CONTROLLED DOCUMENT. | | DWN | 13MAR2007 | Tyco Electronics Corporation Harrisburg, PA 17105-3608 | |
| DIMENSIONS: mm [INCHES] | | CHK | 20MAR2007 | TACTILE SWITCH FSM1LP | |
| TOLERANCES UNLESS OTHERWISE SPECIFIED: | | APVD | 20MAR2007 | NAME | |
| 0 PLC | ± - | PRODUCT SPEC | | SIZE | |
| 1 PLC | ± - | APPLICATION SPEC | | CAGE CODE | |
| 2 PLC | ± 0.30[.012] | | | DRAWING NO | |
| 3 PLC | ± - | | | RESTRICTED TO | |
| 4 PLC | ± - | | | SCALE | |
| ANGLES | ± - | | | SHEET | |
| MATERIAL | FINISH | WEIGHT | - | REV | |
| | | CUSTOMER DRAWING | | D1 | |