




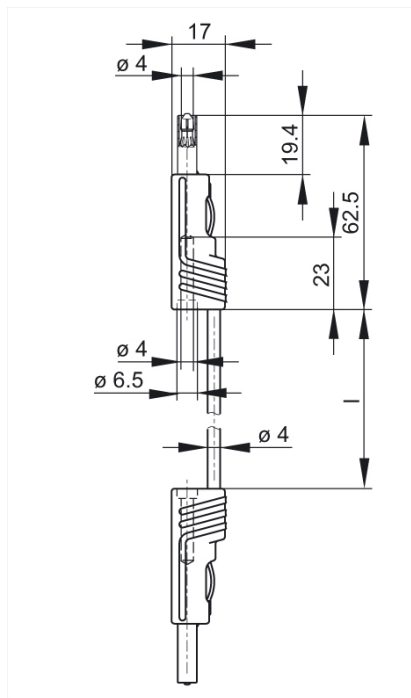
## MLB 50/1 V schwarz/black

Industrial Connectors:Measuring and Testing Equipment:Measuring leads:4 mm sliding sleeve system

### Product description

|                      |   |
|----------------------|---|
| Description          | Contact-protected measuring lead, at either end: 4 mm diameter plug, insulated by latching and sprung insulated sleeve which is only released by pressure on the side-mounted locking spring. 4 mm diameter nickel-plated. Highly flexible, double insulated stranded conductor. Color indicator for the recognition of damage to the isolation. Socket to the far plug-inness. |
| Type                 | MLB 50/1 V schwarz/black  |
| Order No.            | 973 645-100   |
| System               | 4 mm sliding sleeve system  |
| Cable length         | 50 cm   |
| Conductor size       | 1 mm <sup>2</sup>   |
| Cable material       | PVC   |
| Cable color          | black   |
| Housing Color        | black   |
| Color types          |    |
| Other standard types | red color,<br>order no. 973 645-101;<br>blue color,<br>order no. 973 645-102;<br>yellow color,<br>order no. 973 645-103;<br>green color,<br>order no. 973 645-104   |

### Drawing



#### Technical data

|                     |                              |
|---------------------|------------------------------|
| Pin dimensions      | 4 mm                         |
| Type of contact     | pin (spring-loaded)          |
| Type of termination | 4 mm diameter pin and socket |
| Cable type          | LEH-XY                       |
| Cable specification | highly flexible lead         |
| Wire stranding      | 259 x 0,07                   |
| Rated voltage       | DC 60 V                      |
| Rated current       | 16 A                         |
| Contact resistance  | 13 mOhm                      |

#### Material

|                          |                  |
|--------------------------|------------------|
| Contact material         | copper beryllium |
| Contact surface material | nickel-plated    |

#### Environmental conditions

|                   |                  |
|-------------------|------------------|
| Temperature range | -15 °C to +70 °C |
|-------------------|------------------|

#### Inflammability class

|       |       |
|-------|-------|
| Cable | 94 HB |
|-------|-------|