



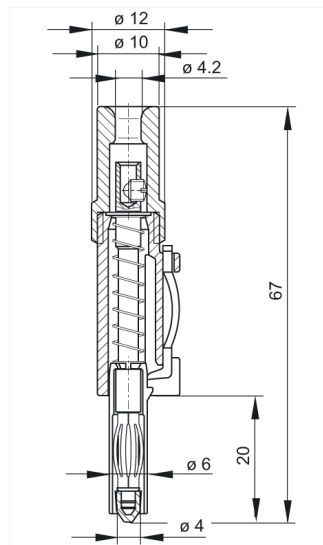
## SLS 20 B schwarz/black

Measuring and Testing Equipment:Plugs:4 mm sliding sleeve system

### Product description

|                      |  |
|----------------------|--|
| Description          | Banana plug, touch-protected, may be made up into cables with screw connection up to 1.5 mm <sup>2</sup> cross-section, insulated by latching and sprung insulating sleeve which is only released by pressure on the side-mounted locking spring. 4 mm diameter. |
| Type                 | SLS 20 B schwarz/black   |
| Order No.            | 931 825-100  |
| System               | 4 mm sliding sleeve system   |
| Housing Color        | black  |
| Other standard types | red color,<br>order no. 931 825-101  |

### Drawing



### Technical data

|                     |                            |
|---------------------|----------------------------|
| Pin dimensions      | 4 mm with laminated spring |
| Type of contact     | pin (spring loaded)        |
| Type of termination | screw                      |
| Rated voltage       | DC 300 V                   |
| Rated current       | 16 A                       |
| Contact resistance  | 5 mOhm                     |

### Material

|                          |                  |
|--------------------------|------------------|
| Contact material         | copper beryllium |
| Contact surface material | nickel-plated    |
| Housing material         | POM              |

### Environmental conditions

|                   |                  |
|-------------------|------------------|
| Temperature range | -25 °C to +80 °C |
|-------------------|------------------|

### Inflammability class

