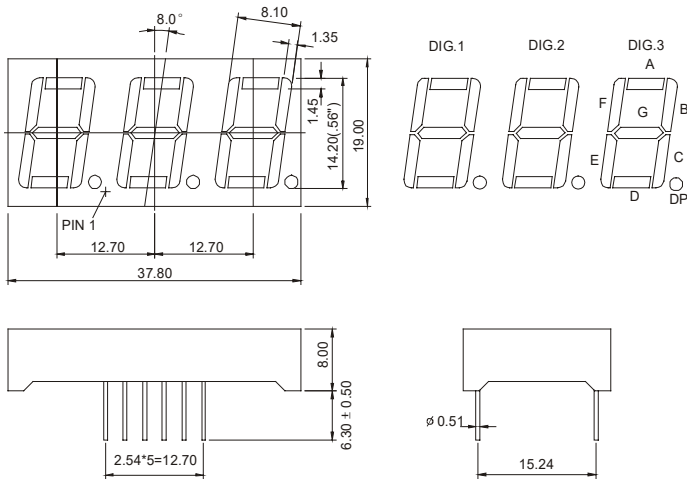
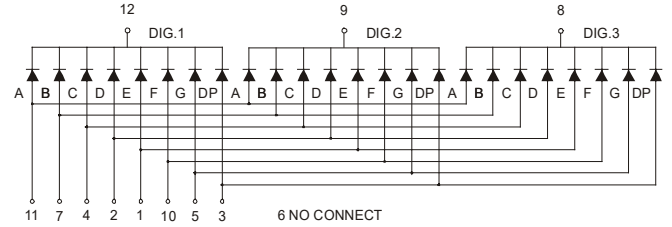


## GNT-5631Ax-Bx (TRIPLE DIGIT LED DISPLAY)

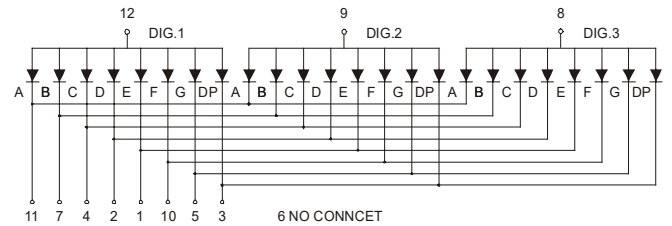
### GNT-5631 Series



### GNT-5631Ax



### GNT-5631Bx



### Features:

\*0.56 INCH HIGH CHARACTER.

\*EXCELLENT CHARACTER APPEARANCE.

\*COMMON CATHODE OR COMMON ANODE.

\*I.C. COMPATIBLE.

\*LOW POWER CONSUMPTION.

Part Number	EMITTED COLOR		Common Cathode or Common Anode	Peak Wavelength (nm)	Vf (v) Typ	If (mA)	Intensity Per Segment (mcd)	
							Min.	Typ.
GNT-5631AE	GaAsP/GaP	Hi.effi Red	Common Cathode	635	2.0	20	9	12
GNT-5631AG	GaP	Green		565	2.1	20	8	11
GNT-5631AY	GaAsP/GaP	Yellow		585	2.0	20	9	12
GNT-5631AS	GaAlAs	Super Red		660	1.8	20	10	13
GNT-5631AD	GaAlAs	Ultra Red		660	1.8	20	25	30
GNT-5631AUE	AlGaInP	Ultra Red		625	2.0	20	30	35
GNT-5631AUY	AlGaInP	Ultra Yellow		590	2.0	20	30	35
GNT-5631BE	GaAsP/GaP	Hi.effi Red	Common Anode	635	2.0	20	9	12
GNT-5631BG	GaP	Green		565	2.1	20	8	11
GNT-5631BY	GaAsP/GaP	Yellow		585	2.0	20	9	12
GNT-5631BS	GaAlAs	Super Red		660	1.8	20	10	13
GNT-5631BD	GaAlAs	Ultra Red		660	1.8	20	25	30
GNT-5631BUE	AlGaInP	Ultra Red		625	2.0	20	30	35
GNT-5631BUY	AlGaInP	Ultra Yellow		590	2.0	20	30	35