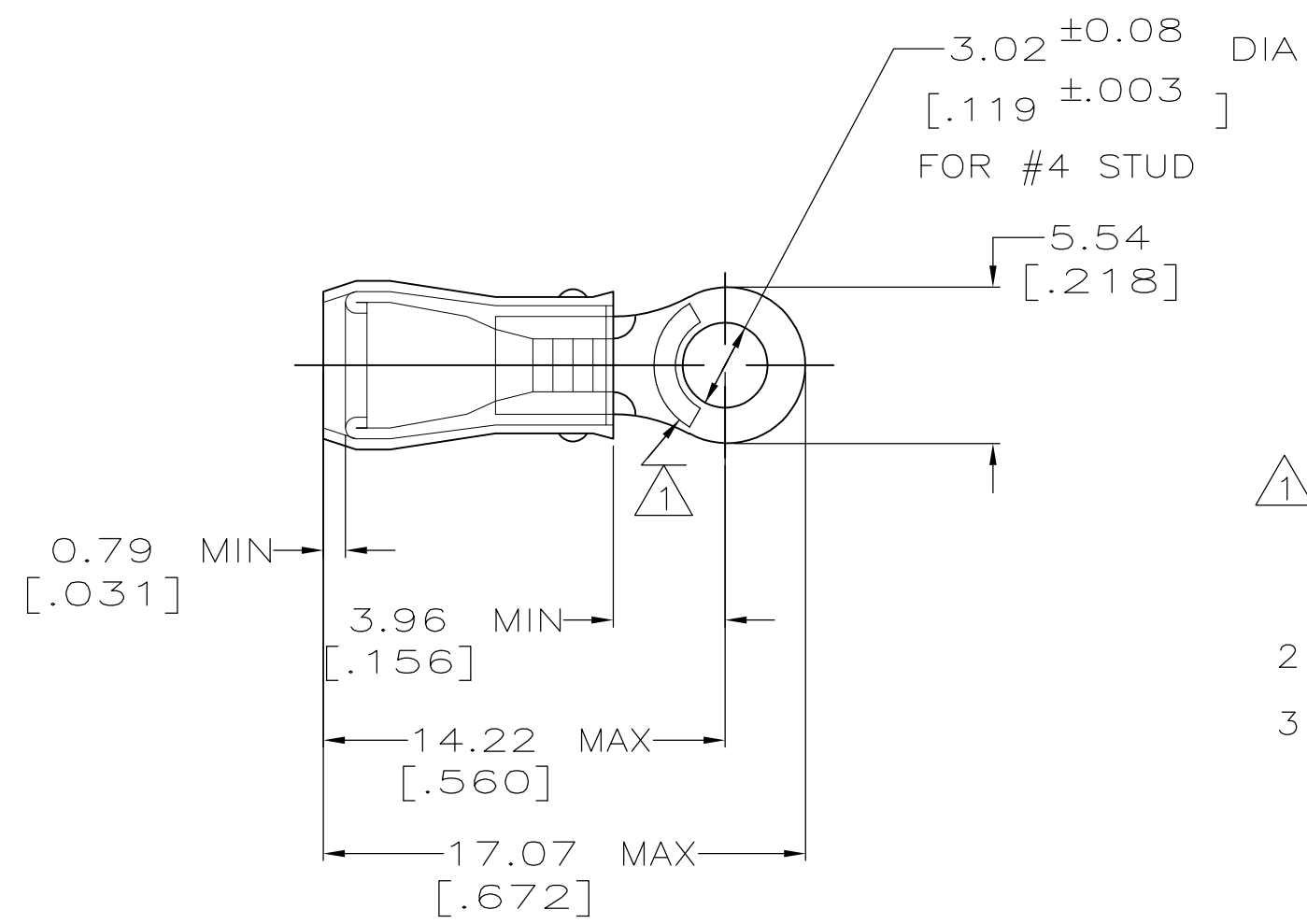


THIS DRAWING IS UNPUBLISHED. RELEASED FOR PUBLICATION
 © COPYRIGHT - By - ALL RIGHTS RESERVED.

LOC	DIST	REVISIONS			
P	LTR	DESCRIPTION	DATE	DWN	APVD
G	14	T1	REVISED PER ECO-11-004587	11MAR11	RK HMR



AMP WIRE RANGE	Listed	LR7189 Certified
22-16 AWG SOLID OR STRANDED	22-16 AWG SOLID OR STRANDED	22-16 AWG SOLID OR STRANDED

- 1 STAMP AMP 22-18* APPROX AS SHOWN
22-16 TERMINALS ARE STAMPED 22-18 IN
ACCORDANCE WITH MILITARY SPEC MIL-T-7928
COMMERCIAL WIRE RANGE IS 22-16
- 2 WIRE INSULATION DIA: .105 - .140
- 3 TONGUE MATERIAL THK: 0.79 ±0.05 [.031 ±.002]

MILITARY P/N AND CLASS	QUANTITY	PACKAGE TYPE	PART NO
-	100	LOOSE PIECE, BOX	8-31880-1
MS 25036-148 CLASS 2	5000	ON TAPE, REEL	2-31880-1
MS 25036-148 CLASS 1 & 2	-	LOOSE PIECE	31880

AMP INCORPORATED CUSTOMER SERVICE SYSTEMS		MAX RECOMMENDED OPERATING TEMPERATURE: 105° C MAX
FOR ADDITIONAL PRODUCT INFORMATION OR COPIES OF DRAWINGS AND TECHNICAL DOCUMENTS	PRODUCT INFORMATION CENTER 1-800-522-6752	VOLTAGE RATING: 300 V MAX
FOR APPLICATION TOOLING INFORMATION	TOOLING ASSISTANCE CENTER 1-800-722-1111	WIRE CROSS SECTIONAL AREA RANGE: 0.26-1.65mm ² [509-3,260] CIR MILS SOLID OR STRANDED
FOR ORDER ENTRY	1-800-526-5142	THIS DRAWING IS A CONTROLLED DOCUMENT FOR AMP INCORPORATED. IT IS SUBJECT TO CHANGE AND THE CONTROLLING ENGINEERING ORGANIZATION SHOULD BE CONTACTED FOR THE LATEST REVISION.

THIS DRAWING IS A CONTROLLED DOCUMENT.		DWN DK SCHRUM 02/11/93	TE Connectivity											
DIMENSIONS: mm [INCHES]		CHK RE HERSEY 4/28/93												
TOLERANCES UNLESS OTHERWISE SPECIFIED:		APVD ML ELLIS 4/28/93												
<table border="0"> <tr><td>0 PLC</td><td>± -</td></tr> <tr><td>1 PLC</td><td>± -</td></tr> <tr><td>2 PLC</td><td>± 0.20 [.008]</td></tr> <tr><td>3 PLC</td><td>± -</td></tr> <tr><td>4 PLC</td><td>± -</td></tr> <tr><td>ANGLES</td><td>± -</td></tr> </table>		0 PLC			± -	1 PLC	± -	2 PLC	± 0.20 [.008]	3 PLC	± -	4 PLC	± -	ANGLES
0 PLC	± -													
1 PLC	± -													
2 PLC	± 0.20 [.008]													
3 PLC	± -													
4 PLC	± -													
ANGLES	± -													
MATERIAL COPPER PER ASTM B-152 SLEEVE, RED NYLON	FINISH TIN PLATE PER MIL-T-10727	APPLICATION SPEC NOT AVAILABLE	NAME TERMINAL, RING TONGUE, PIDG™, WIRE SIZE, 22-16 AWG	RESTRICTED TO -										
CUSTOMER DRAWING		WEIGHT -	SIZE A3	CAGE CODE 00779										
		DRAWING NO C-31880		SCALE 4:1										
				SHEET 1 OF 1										
				REV T1										