

# LED Panel Mount Indicator Catalog

For LED and Relampable Products



Dialight

1501 Route 34 South  
Farmingdale, NJ 07727  
[www.dialightsignalsandcomponents.com](http://www.dialightsignalsandcomponents.com)

## Dialight Signals & Components

In business since 1938, Dialight continues to pioneer some of the most innovative applications in LED technology since the development of LED in the early 1970's. We put our expertise to work for you by designing the most reliable and cost-effective LED products available. As a vertically integrated supplier, Dialight has the resources to design and produce everything in-house, supported by a global sales distribution network.



## Typical Applications

Dialight's panel mount products are used for status indication in broad range of applications from heavy duty vehicles, military avionics displays to servers and communications equipment. Some examples of common applications are:

- Medical
- Military/Aviation
- Oil/Gas/Mining Equipment
- Food Processing
- Marine
- Wire and Harness
- Power Distribution
- Industrial Control Panels
- Test & Measurement
- Traffic controls and Rail Applications
- Servers & Storage
- Transportation
- Fan Trays

Dialight reserves the right to make changes at any time in order to supply the best product possible. The most current version of this document will always be available at: [www.dialightsignalsandcomponents.com](http://www.dialightsignalsandcomponents.com)

**Warranty Statement:** Except for the warranty expressly provided for at: <https://www.dialight.com/resources/warranties/>, Dialight disclaims any and all other warranties, express or implied, including, without limitation, any warranties of merchantability, fitness for a particular purpose, title, and noninfringement.

# Table of Contents



## LED Panel Mount Indicators\*

4

249 Series | 0.375" (9.53mm)

556 Series | 1" (25.40mm)

557 Series | 0.688" (17.46mm)

558 Series | 0.156" (3.96mm)

559 Series | 0.250" (6.35mm)

605–612 Series | 0.205"–0.492" (5.2mm–12.5mm)

620–623 Heavy Duty Series | 0.323" | 1.18" (8.2mm–30mm)

630 Series | 1.18" (30mm)

653 & 654 Snap-in Series | 0.58"–0.657" (14.7-16.7mm)

655 Series | 0.50" (12.7mm)

656 Series | 0.500" (12.7mm)

657 Series | 0.688" (17.46mm)

658 Series | 1" (25.40mm)

675–682 High Intensity Series | 0.205"–0.492" (5.2mm–12.5mm)



## LED Bulbs

81

Based LED Bulbs

Incandescent Lamp / Based LED Cross-reference guide



## Relampable Lampholders and Caps\*

103

• 3/8" (9.53mm)

• 15/32" (11.91mm)

• 11/16" (17.46mm)

Neon & Incandescent Panel Mount Indicator Part Numbering System



## Military Panel Mount Indicators

110

Military Panel Mount Indicators

Military Cross Reference Guide

\*Dimensions are mounting hole diameter.



## Certifications & Ratings

- RoHS Compliant

## Application

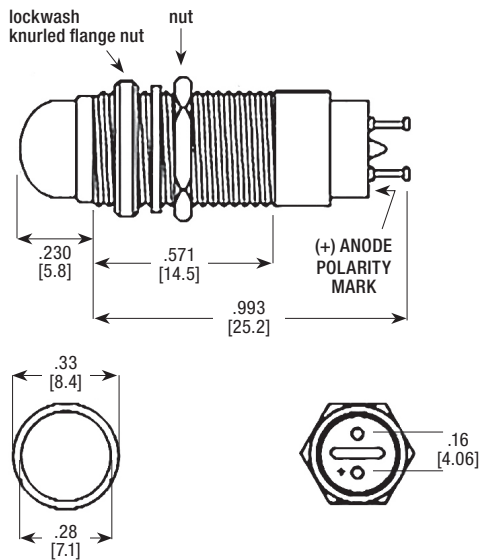
Dialight's 249 series LED panel mount indicator is available with a variety of LED's including AlInGap and InGan technology for high brightness applications. These indicators are designed for a variety of applications such as:

- Main and remote power indication
  - Status indication
  - Maintenance and warning indication
  - Instrumentation
  - Process control
- ... and many more!

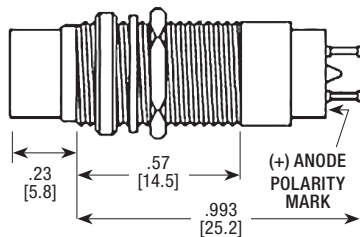
## Dimensions

inches [mm]

### Stovepipe Lens



### Cylindrical Lens



\*Cylindrical lens will provide wider viewing angle

## Mechanical information

**Mounting Hole Size:** 0.375" (9.53 mm)

**Max Panel Thickness:** 0.312" (7.92 mm)

**Mounting Torque:** 8–10 in-lbs torque

## Specifications

**Voltage Options:** 3.6, 5, 10, 14, and 28 VDC  
(no resistor required)

**Operating Temp:** -55 °C to +71 °C (-67 °F to +159.8 °F)

**Storage Temp:** -55 °C to +71 °C (-67 °F to +159.8 °F)

**Electrical Connection:** Turret terminals for wire wrapping

**Housing:** Aluminum – Black Anodized

**Terminals:** Phosphor Bronze – Fused Tin

**Knurled Flange Nut:** Aluminum – Black Anodized

**Lock Washer:** Phosphor Bronze – White Nickel Plated

**Nut:** Brass – White Nickel Plated

## Ordering Information

### 249 Series

#### Stovepipe Lens

Dialight P/N	Color	Voltage (VDC)*	Current (mA)	Typical Intensity (mcd)
249-4162-3734-504F	Blue	3.5**	10	1500
249-7867-3731-504F	Red	3.6	20	170
249-7967-3732-504F	Green			100
249-8067-3733-504F	Yellow			150
249-4164-3734-504F	Blue			10
249-7868-3731-504F	Red	5	20	170
249-7968-3732-504F	Green			100
249-8068-3733-504F	Yellow			150
249-4166-3734-504F	Blue			10
249-7870-3731-504F	Red	10	20	170
249-7970-3732-504F	Green			100
249-8070-3733-504F	Yellow			150
249-4167-3734-504F	Blue			10
249-7871-3731-504F	Red	14	20	170
249-7971-3732-504F	Green			100
249-8071-3733-504F	Yellow			150
249-4168-3734-504F	Blue			10
249-7872-3731-504F	Red	28	20	170
249-7972-3732-504F	Green			100
249-8072-3733-504F	Yellow			150

#### Cylindrical Lens

Dialight P/N	Color	Voltage (VDC)*	Current (mA)	Typical Intensity (mcd)
249-4162-3334-504F	Blue	3.5**	10	700
249-7867-3331-504F	Red	3.6	20	55
249-7967-3332-504F	Green			40
249-8067-3333-504F	Yellow			75
249-4164-3334-504F	Blue			10
249-7868-3331-504F	Red	5	20	55
249-7968-3332-504F	Green			40
249-8068-3333-504F	Yellow			75
249-4166-3334-504F	Blue			10
249-7870-3331-504F	Red	10	20	55
249-7970-3332-504F	Green			40
249-8070-3333-504F	Yellow			75
249-4167-3334-504F	Blue			10
249-7871-3331-504F	Red	14	20	55
249-7971-3332-504F	Green			40
249-8071-3333-504F	Yellow			75
249-4168-3334-504F	Blue			10
249-7872-3331-504F	Red	28	20	55
249-7972-3332-504F	Green			40
249-8072-3333-504F	Yellow			75

\*Dialight recommends tolerance of 5% of specified voltage range.

\*\*VF typical — Requires current limiting resistor



## Certifications & Ratings

- UL 1598 (E156890)
- IP66
- NEMA 4X
- RoHS Compliant w/6C exemption
- IK07

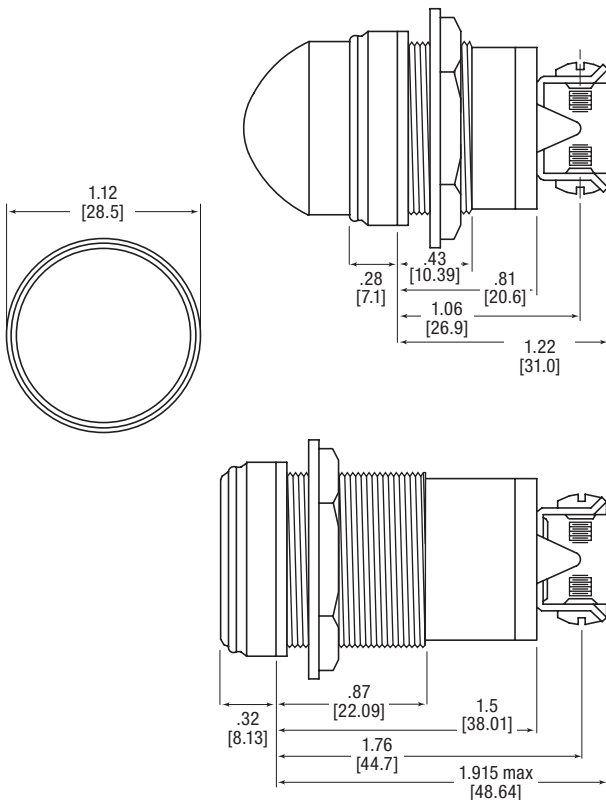
## Application

The 556 Series LED Panel Mount Indicators incorporate both InGaN and AlInGaP technologies to offer maximum light output. This is a highly durable package, designed to withstand outdoor applications susceptible to rain, dust and sunlight:

- Instrument panels
- Safety applications
- Transportation: rail, bus, airline
- Vending, gaming
- Lane control
- Display lighting
- . . . and many more!

## Dimensions

inches [mm]



## Mechanical information

**Mounting Hole Size:** 1.0" (25.4 mm)  
**Max Panel Thickness:** Flat: 0.600" (15.24 mm)  
 Dome: 0.187" (4.27 mm)

**Mounting Torque:** 40 in-lbs

## Specifications

**Voltage Options:** 12 to 125 VDC, and 125, 230 VAC  
 (no resistor required)

**Operating Temp:** -30 °C to +85 °C (-22 °F to +185 °F)

**Storage Temp:** -40 °C to +100 °C (-40 °F to +212 °F)

**Electrical Connection:** 6-32 screw terminals

**Housing:** Brass—White or Black Nickel Plated

**Terminals:** Brass — Hot solder dip  
 per Mil-F-14072D, M258, Type II

**Lens Material:** Transparent Polycarbonate (UL 94V-0)

**Lock Washer:** Phosphor Bronze — White or Black  
 Nickel Plated

**Nut:** Brass—White or Black Nickel Plated



## Ordering Information 556 Series—Standard, Flat Lens

### Flat Lens

White Nickel	Black Nickel	Color	Voltage	Typ Current (mA)	Typical Intensity (mcd)
556-1003-304F	556-1003-204F	○ White	12 VDC	60	61,000
556-1503-304F	556-1503-204F	● Red		95	22,000
556-1603-304F	556-1603-204F	● Green		60	41,500
556-1683-304F	556-1683-204F	● Cyan		60	37,000
556-1703-304F	556-1703-204F	● Yellow		95	13,500
556-1803-304F	556-1803-204F	● Blue		60	13,000
556-1903-304F	556-1903-204F	● Orange		95	11,500
556-1004-304F	556-1004-204F	○ White		24 VDC	32
556-1504-304F	556-1504-204F	● Red	46		22,000
556-1604-304F	556-1604-204F	● Green	32		41,500
556-1684-304F	556-1684-204F	● Cyan	32		37,000
556-1704-304F	556-1704-204F	● Yellow	46		13,500
556-1804-304F	556-1804-204F	● Blue	32		13,000
556-1904-304F	556-1904-204F	● Orange	46		11,500
556-1508-304F	556-1508-204F	● Red	37.5 VDC		20
556-1608-304F	556-1608-204F	● Green		16	54,000
556-1708-304F	556-1708-204F	● Yellow		20	12,750
556-1506-304F	556-1506-204F	● Red	72 VDC	18.5	15,000
556-1606-304F	556-1606-204F	● Green		16	45,500
556-1706-304F	556-1706-204F	● Yellow		20	9,000
556-1806-304F	556-1806-204F	● Blue		18.5	15,000
556-1007-304F	—	○ White	125 VDC	10.5	36,000
556-1507-304F	—	● Red		10	8,000
556-1607-304F	—	● Green		10	27,000
556-1707-304F	—	● Yellow		10	5,750
556-1005-304F	—	○ White	125 VAC	11	35,000
556-1505-304F	—	● Red		10.5	8,000
556-1605-304F	—	● Green		9.5	29,000
556-1685-304F	—	● Cyan		9.5	24,750
556-1705-304F	—	● Yellow		10.5	5,750
556-1805-304F	—	● Blue		9.5	7,750
556-1905-304F	—	● Orange		10.5	6,000
556-1009-304F	—	○ White		230 VAC	6
556-1509-304F	—	● Red	7		8,000
556-1609-304F	—	● Green	7		29,000
556-1709-304F	—	● Yellow	7		5,750
556-1809-304F	—	● Blue	7		7,750
556-1909-304F	—	● Orange	7		6,000

## Ordering Information 556 Series—Standard, Flat Lens, Diffused

### Flat Lens, Diffused

White Nickel	Black Nickel	Color	Voltage	Typ Current (mA)	Typical Intensity (mcd)
556-1813-304F	—	● Blue	12 VDC	60	13,000

5	5	6	-	X	X	X	X	-	X	0	4	F
<b>Lens Style</b>		<b>Color</b>				<b>Voltage</b>						
Flat	1	○ White	0	0	3	12 VDC						
Domed	3	● Red	5	0	4	24 VDC						
		● Green	6	0	8	37.5 VDC						
		● Cyan	6	8	6	72 VDC	<b>Plating</b>					
		● Yellow	7	0	7	125 VDC*	2	Black				
		● Blue	8	0	5	125 VAC*	3	White				
		● Orange	9	0	9	230 VDC*						

## Ordering Information

### 556 Series—Standard, Domed Lens

#### Domed Lens

White Nickel	Black Nickel	Color	Voltage	Typ Current (mA)	Typical Intensity (mcd)
556-3003-304F	556-3003-204F	○ White	12 VDC	60	17,000
556-3503-304F	556-3503-204F	● Red		95	14,000
556-3603-304F	556-3603-204F	● Green		60	14,000
556-3683-304F	556-3683-204F	● Cyan		60	11,500
556-3703-304F	556-3703-204F	● Yellow		95	4,000
556-3803-304F	556-3803-204F	● Blue		60	12,000
556-3903-304F	556-3903-204F	● Orange		95	3,500
556-3004-304F	556-3004-204F	○ White		24 VDC	32
556-3504-304F	556-3504-204F	● Red	46		14,000
556-3604-304F	556-3604-204F	● Green	32		14,000
556-3684-304F	556-3684-204F	● Cyan	32		11,500
556-3704-304F	556-3704-204F	● Yellow	46		4,000
556-3804-304F	556-3804-204F	● Blue	32		12,000
556-3904-304F	556-3904-204F	● Orange	46		3,500
556-3508-304F	556-3508-204F	● Red	37.5 VDC		20
556-3608-304F	556-3608-204F	● Green		16	15,750
556-3708-304F	556-3708-204F	● Yellow		20	3,250
556-3506-304F	556-3506-204F	● Red	72 VDC	18.5	4,200
556-3606-304F	556-3606-204F	● Green		16	14,250
556-3706-304F	556-3706-204F	● Yellow		20	2,600
556-3806-304F	556-3806-204F	● Blue		18.5	4,500
556-3007-304F	—	○ White	125 VDC	10.5	10,250
556-3507-304F	—	● Red		10	2,500
556-3607-304F	—	● Green		10	8,250
556-3707-304F	—	● Yellow	10	1,500	
556-3005-304F	—	○ White	125 VAC	11	10,250
556-3505-304F	—	● Red		10.5	2,500
556-3605-304F	—	● Green		9.5	9,500
556-3685-304F	—	● Cyan		9.5	6,500
556-3705-304F	—	● Yellow		10.5	1,750
556-3805-304F	—	● Blue		9.5	3,000
556-3905-304F	—	● Orange		10.5	1,750
556-3009-304F	—	○ White	230 VAC	6	10,250
556-3509-304F	—	● Red		7	2,500
556-3609-304F	—	● Green		7	9,500
556-3709-304F	—	● Yellow		7	1,750
556-3809-304F	—	● Blue		7	3,000
556-3909-304F	—	● Orange		7	1,750

Dialight reserves the right to make changes at any time in order to supply the best product possible. The most current version of this document will always be available at: [www.dialightsignalsandcomponents.com](http://www.dialightsignalsandcomponents.com)

**Warranty Statement:** Except for the warranty expressly provided for at: [www.dialight.com/resources/warranties/](http://www.dialight.com/resources/warranties/), Dialight disclaims any and all other warranties, express or implied, including, without limitation, any warranties of merchantability, fitness for a particular purpose, title, and noninfringement.



# 556 Series

## Standard Panel Mount Indicators

### Constant Intensity, 18-48 VDC



#### Certifications & Ratings

- IP66
- NEMA 4X
- RoHS Compliant w/6C exemption
- IK07

#### Application

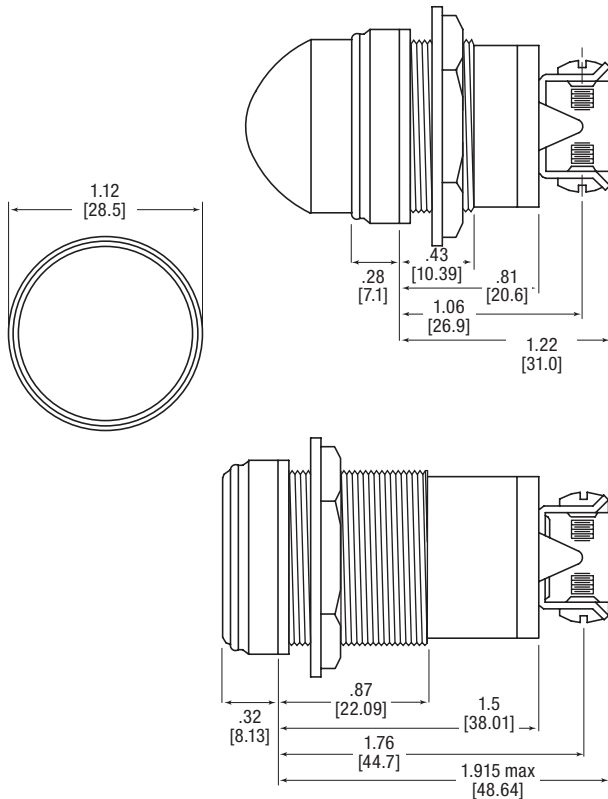
The 556 Series LED Panel Mount Indicators incorporate both InGaN and AlInGaP technologies to offer maximum light output. This is a highly durable package, designed to withstand outdoor applications susceptible to rain, dust and sunlight:

- Instrument panels
- Safety applications
- Transportation: rail, bus, airline
- Vending, gaming
- Lane control
- Display lighting

... and many more!

#### Dimensions

inches [mm]



#### Mechanical information

**Mounting Hole Size:** 1.0" (25.4 mm)  
**Max Panel Thickness:** Flat: 0.600" (15.24 mm)  
 Dome: 0.187" (4.27 mm)

**Mounting Torque:** 40 in-lbs

#### Specifications

**Voltage Options:** 18-48 VDC  
 (internal resistor included)

**Operating Temp:** -30 °C to +85 °C (-22 °F to +185 °F)

**Storage Temp:** -40 °C to +100 °C (-40 °F to +212 °F)

**Electrical Connection:** 6-32 screw terminals

**Housing:** Brass—White or Black Nickel Plated

**Terminals:** Brass — Hot solder dip  
 per Mil-F-14072D, M258, Type II

**Lens Material:** Transparent Polycarbonate (UL 94V-0)

**Lock Washer:** Phosphor Bronze — White or Black Nickel Plated

**Nut:** Brass—White or Black Nickel Plated



## Ordering Information

### 556 Series — Standard Constant Intensity

**Part Number Guide 556 Series** RoHS Compliant

5 5 6 - X X X A - X 0 4 F

Lens Style		Color		Voltage	Plating	
Flat	1	Red	5 0	A 18-48 VDC	2	Black
Domed	3	Green	6 0		3	White
		Yellow	7 0			

#### Flat Lens

#### Domed Lens

White Nickel Plating	Black Nickel Plating	White Nickel Plating	Black Nickel Plating	Color	Voltage (vdc)	Typ Current (mA)	Typical Intensity (mcd)
556-150A-304F	556-150A-204F	556-350A-304F	556-350A-204F	Red	18-48	7.3-8.2	1470-1500
556-160A-304F	556-160A-204F	556-360A-304F	556-360A-204F	Green		6.5-7.4	200-230
556-170A-304F	556-170A-204F	556-370A-304F	556-370A-204F	Yellow		8.0-8.9	630-660



### Certifications & Ratings

- UL 1598 (E156890)
- IP66
- NEMA 4X
- RoHS Compliant w/6C exemption

### Application

The 556 Series LED Panel Mount Indicators incorporate both InGaN and AlInGaP technologies to offer maximum light output. This is a highly durable package, designed to withstand outdoor applications susceptible to rain, dust and sunlight:

- Instrument panels
- Safety applications
- UL 508 panel applications
- Agricultural controls
- Power Generators
- Environmental Monitoring Equipment
- Ground support vehicles
- Pump system controllers
- Transportation - rail, bus, airline
- Lane control
- Display lighting
- ...and many more!

### Mechanical information

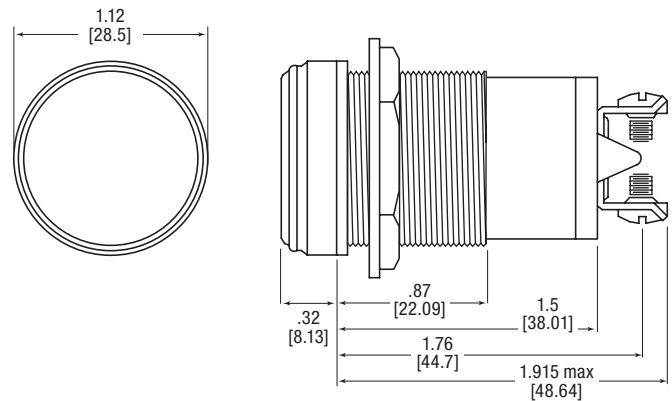
**Mounting Hole Size:** 1.0" (25.4 mm)  
**Max Panel Thickness:** 0.600" (15.24 mm)  
**Mounting Torque:** 40 in-lbs

### Specifications

**Voltage Options:** 12 to 125 VDC, and 125, 230 VAC (no resistor required)  
**Operating Temp:** -30 °C to +85 °C (-22 °F to +185 °F)  
**Storage Temp:** -40 °C to +100 °C (-40 °F to +212 °F)  
**Electrical Connection:** 6-32 screw terminals  
**Housing:** Brass—White or Black Nickel Plated  
**Terminals:** Brass — Hot solder dip per Mil-F-14072D, M258, Type II  
**Lens Material:** Clear UV Stabilized Polycarbonate (UL 94V-0)  
**Lock Washer:** Phosphor Bronze — White or Black Nickel Plated  
**Nut:** Brass—White or Black Nickel Plated

### Dimensions

inches [mm]



## Ordering Information

### 556 Series — Daylight Viewable

#### Part Number Guide 556 Series

RoHS Compliant

5	5	6	-	1	X	X	X	-	X	1	4	F
				<b>Color</b>		<b>Voltage</b>						
						3	12 vdc					
				● Red		5	0	4	24 vdc	<b>Plating</b>		
				● Green		6	0	8	37.5 vdc			
				● Cyan		6	8	6	72 vdc	2	Black	
				● Yellow		7	0	7	125 vdc*	3	White	
				● Blue		8	0	5	125 vac*			
				● Orange		9	0	9	230 vdc*			

White Nickel	Black Nickel	Color	Voltage	Typ Current (mA)	Typical Intensity (mcd)
556-1503-314F	556-1503-214F	● Red	12 V DC	95	27,250
556-1603-314F	556-1603-214F	● Green		60	71,500
556-1683-314F	556-1683-214F	● Cyan		60	48,250
556-1703-314F	556-1703-214F	● Yellow		95	17,500
556-1803-314F	556-1803-214F	● Blue		60	24,000
556-1903-314F	556-1903-214F	● Orange		95	22,250
556-1504-314F	556-1504-214F	● Red	24 V DC	46	27,250
556-1604-314F	556-1604-214F	● Green		32	71,500
556-1684-314F	556-1684-214F	● Cyan		32	48,250
556-1704-314F	556-1704-214F	● Yellow		46	17,500
556-1804-314F	556-1804-214F	● Blue		32	24,000
556-1904-314F	556-1904-214F	● Orange		46	22,250
556-1508-314F	556-1508-214F	● Red	37.5 V DC	20	26,750
556-1608-314F	556-1608-214F	● Green		16	80,000
556-1708-314F	556-1708-214F	● Yellow		20	18,000
556-1506-314F	556-1506-214F	● Red	72 V DC	18.5	20,500
556-1606-314F	556-1606-214F	● Green		16	65,500
556-1706-314F	556-1706-214F	● Yellow		20	15,000
556-1507-314F	—	● Red	125 V DC	10	14,000
556-1607-314F	—	● Green			44,750
556-1707-314F	—	● Yellow			8,250
556-1505-314F	—	● Red	125 V AC	10.5	13,500
556-1605-314F	—	● Green		9.5	43,750
556-1685-314F	—	● Cyan		9.5	32,000
556-1705-314F	—	● Yellow		10.5	9,000
556-1805-314F	—	● Blue		9.5	16,000
556-1905-314F	—	● Orange		10.5	11,000
556-1509-314F	—	● Red	230 V AC	7	13,500
556-1609-314F	—	● Green			43,750
556-1709-314F	—	● Yellow			9,000
556-1809-314F	—	● Blue			16,000
556-1909-314F	—	● Orange			11,000



# 556 Series Daylight Viewable Panel Mount Indicators Constant Intensity, 18–48 VDC



## Certifications & Ratings

- IP66
- NEMA 4X
- RoHS Compliant w/6C exemption

## Application

The 556 Series LED Panel Mount Indicators incorporate both InGaN and AlInGaP technologies to offer maximum light output. This is a highly durable package, designed to withstand outdoor applications susceptible to rain, dust and sunlight:

- Instrument panels
  - Safety applications
  - UL 508 panel applications
  - Agricultural controls
  - Power Generators
  - Environmental Monitoring Equipment
  - Ground support vehicles
  - Pump system controllers
  - Transportation - rail, bus, airline
  - Lane control
  - Display lighting
- ...and many more!

### Mechanical information

**Mounting Hole Size:** 1.0" (25.4 mm)  
**Max Panel Thickness:** 0.600" (15.24 mm)  
**Mounting Torque:** 40 in-lbs

### Specifications

**Voltage Options:** 18–48 VDC  
(internal resistor included)

**Operating Temp:** -30 °C to +85 °C (-22 °F to +185 °F)  
**Storage Temp:** -40 °C to +100 °C (-40 °F to +212 °F)

**Electrical Connection:** 6-32 screw terminals

**Housing:** Brass—White or Black Nickel Plated

**Terminals:** Brass — Hot solder dip  
per Mil-F-14072D, M258, Type II

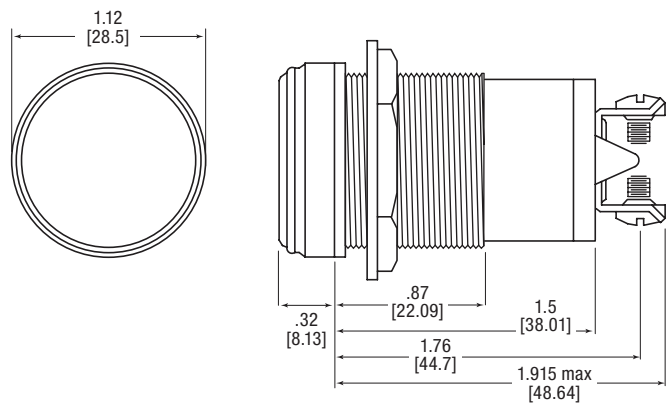
**Lens Material:** Clear UV Stabilized Polycarbonate  
(UL 94V-0)

**Lock Washer:** Phosphor Bronze — White or Black  
Nickel Plated

**Nut:** Brass—White or Black Nickel Plated

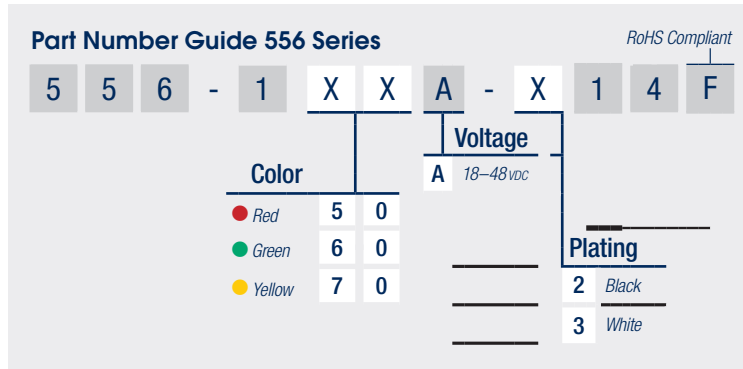
## Dimensions

inches [mm]



## Ordering Information

### 556 Series — Daylight Viewable Constant Intensity



White Nickel	Black Nickel	Color	Voltage (vdc)	Typ Current (mA)	Typical Intensity (mcd)
556-150A-314F	556-150A-214F	Red	18–48	7.3–8.2	1470–1500
556-160A-314F	556-160A-214F	Green		6.5–7.4	200–230
556-170A-314F	556-170A-214F	Yellow		8.0–8.9	630–660





### Certifications & Ratings

- UL 1598 (E156890)
- IP66
- NEMA 4X
- RoHS Compliant w/6C exemption
- IK07

### Application

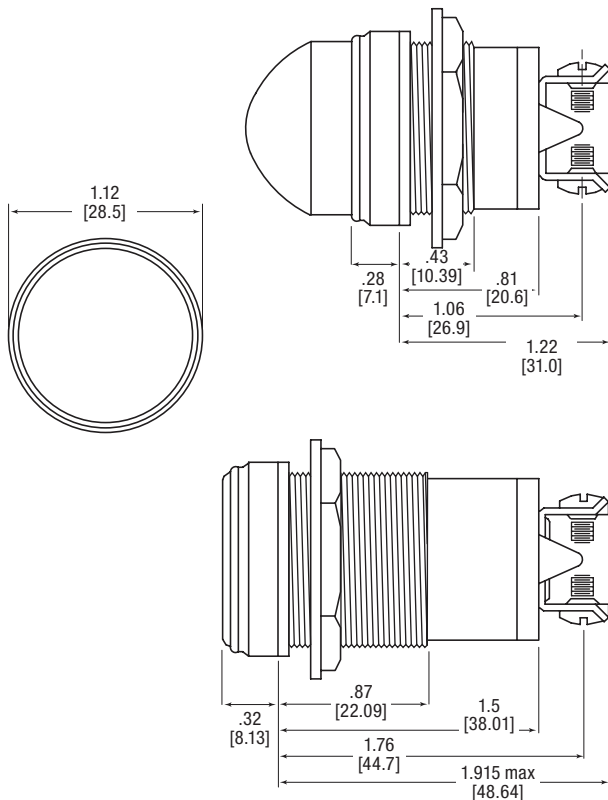
The 556 Series LED Panel Mount Indicators incorporate both InGaN and AlInGaP technologies to offer maximum light output. This is a highly durable package, designed to withstand outdoor applications susceptible to rain, dust and sunlight. In addition, the Class I, Division 2 rating allows for use in hazardous environments common to the oil and gas, mining, and chemical industries:

- Instrument panels
- Safety applications
- UL 508 panel applications
- Petrochemical applications
- Environmental Monitoring Equipment specifications
- Pump system controllers
- Mining application
- Oil Refineries
- Agricultural controls
- Power generators

... and many more!

### Dimensions

inches [mm]



### Mechanical information

**Mounting Hole Size:** 1.0" (25.4 mm)  
**Max Panel Thickness:** Flat: 0.600" (15.24 mm)  
 Dome: 0.187" (4.27 mm)

**Mounting Torque:** 40 in-lbs

### Specifications

**Voltage Options:** 12 to 125VDC, and 125, 230VAC (no resistor required)  
**Operating Temp:** -30°C to +85°C (-22°F to +185°F)  
**Storage Temp:** -40°C to +100°C (-40°F to +212°F)  
**Electrical Connection:** 6-32 screw terminals  
**Housing:** Brass—White or Black Nickel Plated  
**Terminals:** Brass — Hot solder dip per Mil-F-14072D, M258, Type II  
**Lens Material:** Transparent Polycarbonate (UL 94V-0)  
**Lock Washer:** Phosphor Bronze — White or Black Nickel Plated  
**Nut:** Brass—White or Black Nickel Plated



## Ordering Information

### 556 Series — Class 1, Div 2, Flat Lens

#### Part Number Guide 556 Series

RoHS Compliant

5	5	6	-	X	X	X	X	-	X	2	4	F
<b>Lens Style</b>				<b>Color</b>				<b>Voltage</b>				
Flat				1				3				
Domed				3				3				
				<ul style="list-style-type: none"> <li>○ White 0 0</li> <li>● Red 5 0</li> <li>● Green 6 0</li> <li>● Cyan 6 8</li> <li>● Yellow 7 0</li> <li>● Blue 8 0</li> <li>● Orange 9 0</li> </ul>				<ul style="list-style-type: none"> <li>12VDC</li> <li>24VDC</li> <li>37.5VDC</li> <li>72VDC</li> <li>125VDC*</li> <li>125VAC*</li> <li>230VDC*</li> </ul>				
										<b>Plating</b>		
										2 Black		
										3 White		
										*white nickel only		

#### Flat Lens

White Nickel	Black Nickel	Color	Voltage	Typ Current (mA)	Typical Intensity (mcd)
556-1003-324F	556-1003-224F	○ White	12 VDC	60	61,000
556-1503-324F	556-1503-224F	● Red		95	22,000
556-1603-324F	556-1603-224F	● Green		60	41,500
556-1683-324F	556-1683-224F	● Cyan		60	37,000
556-1703-324F	556-1703-224F	● Yellow		95	13,500
556-1803-324F	556-1803-224F	● Blue		60	13,000
556-1903-324F	556-1903-224F	● Orange		95	11,500
556-1004-324F	556-1004-224F	○ White	24 VDC	32	61,000
556-1504-324F	556-1504-224F	● Red		46	22,000
556-1604-324F	556-1604-224F	● Green		32	41,500
556-1684-324F	556-1684-224F	● Cyan		32	37,000
556-1704-324F	556-1704-224F	● Yellow		46	13,500
556-1804-324F	556-1804-224F	● Blue		32	13,000
556-1904-324F	556-1904-224F	● Orange	46	11,500	
556-1508-324F	556-1508-224F	● Red	37.5 VDC	20	14,000
556-1608-324F	556-1608-224F	● Green		16	54,000
556-1708-324F	556-1708-224F	● Yellow		20	12,750
556-1006-324F	556-1006-224F	○ White	72 VDC	18.5	15,000
556-1506-324F	556-1506-224F	● Red		18.5	45,500
556-1606-324F	556-1606-224F	● Green		16	9,000
556-1706-324F	556-1706-224F	● Yellow		20	15,000
556-1806-324F	556-1806-224F	● Blue		18.5	36,000
556-1007-324F	—	○ White	125 VDC	10.5	8,000
556-1507-324F	—	● Red		10	27,000
556-1607-324F	—	● Green		10	5,750
556-1707-324F	—	● Yellow	10	35,000	
556-1005-324F	—	○ White	125 VAC	11	8,000
556-1505-324F	—	● Red		10.5	29,000
556-1605-324F	—	● Green		9.5	24,750
556-1685-324F	—	● Cyan		9.5	5,750
556-1705-324F	—	● Yellow		10.5	7,750
556-1805-324F	—	● Blue		9.5	6,000
556-1905-324F	—	● Orange		10.5	35,000
556-1009-324F	—	○ White	230 VAC	6	8,000
556-1509-324F	—	● Red		7	29,000
556-1609-324F	—	● Green		7	5,750
556-1709-324F	—	● Yellow		7	7,750
556-1809-324F	—	● Blue		7	6,000
556-1909-324F	—	● Orange	7	3100	





## Ordering Information

### 556 Series — Class 1, Div 2, Domed Lens

#### Domed Lens

White Nickel	Black Nickel	Color	Voltage	Typ Current (mA)	Typical Intensity (mcd)
556-3003-324F	556-3003-224F	○ White	12 VDC	60	17,000
556-3503-324F	556-3503-224F	● Red		95	14,000
556-3603-324F	556-3603-224F	● Green		60	14,000
556-3683-324F	556-3683-224F	● Cyan		60	11,500
556-3703-324F	556-3703-224F	● Yellow		95	4,000
556-3803-324F	556-3803-224F	● Blue		60	12,000
556-3903-324F	556-3903-224F	● Orange		95	3,500
556-3004-324F	556-3004-224F	○ White	24 VDC	32	17,000
556-3504-324F	556-3504-224F	● Red		46	14,000
556-3604-324F	556-3604-224F	● Green		32	14,000
556-3684-324F	556-3684-224F	● Cyan		32	11,500
556-3704-324F	556-3704-224F	● Yellow		46	4,000
556-3804-324F	556-3804-224F	● Blue		32	12,000
556-3904-324F	556-3904-224F	● Orange		46	3,500
556-3508-324F	556-3508-224F	● Red	37.5 VDC	20	4,750
556-3608-324F	556-3608-224F	● Green		16	15,750
556-3708-324F	556-3708-224F	● Yellow		20	3,250
556-3006-324F	556-3006-224F	○ White	72 VDC	18.5	4,200
556-3506-324F	556-3506-224F	● Red		18.5	14,250
556-3606-324F	556-3606-224F	● Green		16	2,600
556-3706-324F	556-3706-224F	● Yellow		20	4,500
556-3806-324F	556-3806-224F	● Blue		18.5	10,250
556-3007-324F	—	○ White	125 VDC	10.5	2,500
556-3507-324F	—	● Red		10	8,250
556-3607-324F	—	● Green		10	1,500
556-3707-324F	—	● Yellow		10	10,250
556-3005-324F	—	○ White	125 VAC	11	2,500
556-3505-324F	—	● Red		10.5	9,500
556-3605-324F	—	● Green		9.5	6,500
556-3685-324F	—	● Cyan		9.5	1,750
556-3705-324F	—	● Yellow		10.5	3,000
556-3805-324F	—	● Blue		9.5	1,750
556-3905-324F	—	● Orange		10.5	10,250
556-3009-324F	—	○ White	230 VAC	6	2,500
556-3509-324F	—	● Red		7	9,500
556-3609-324F	—	● Green		7	1,750
556-3709-324F	—	● Yellow		7	3,000
556-3809-324F	—	● Blue		7	1,750
556-3909-324F	—	● Orange	7	3100	



### Certifications & Ratings

- IP66
- NEMA 4X
- RoHS Compliant w/6C exemption

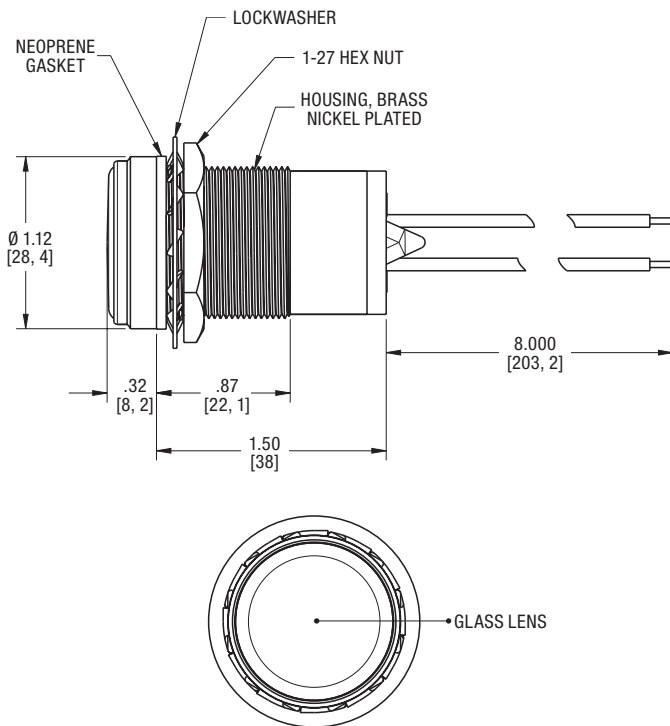
### Application

The 556 Series LED Panel Mount Indicators incorporate both InGaN and AlInGaP technologies to offer maximum light output. This is a highly durable package, designed to withstand outdoor applications susceptible to rain, dust and sunlight:

- Instrument panels
- Safety applications
- Transportation: rail, bus, airline
- Vending, gaming
- Lane control
- Display lighting
- ... and many more!

### Dimensions

inches [mm]



### Mechanical information

- Mounting Hole Size:** 1.0" (25.4 mm)
- Max Panel Thickness:** Flat: 0.600" (15.24 mm)
- Mounting Torque:** 40 in-lbs

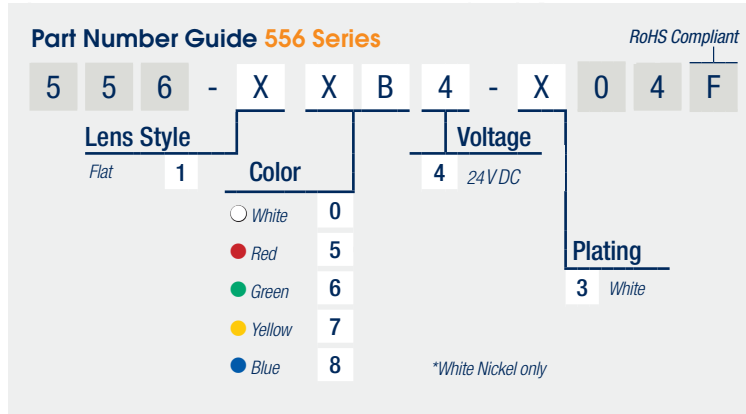
### Specifications

- Voltage Options:** 24VDC
- Operating Temp:** -40°C to +100°C (-22°F to +185°F)
- Storage Temp:** -40°C to +100°C (-40°F to +212°F)
- Electrical Connection:** 8"-18" AWG wire
- Housing:** Brass—White
- Lens Material:** Glass
- Lock Washer:** Phosphor Bronze — White
- Nut:** Brass—White



## Ordering Information

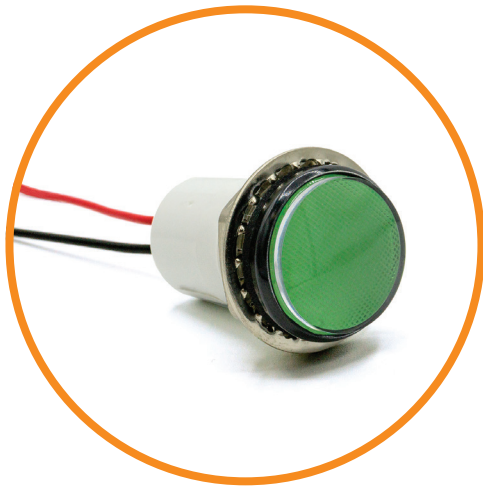
### 556 Series — Standard



#### Flat Lens

White Nickel	Color	Voltage	Typ Current (mA)	Typical Intensity (mcd)
556-10B4-304F	○ White	24 VDC	32	61,000
556-15B4-304F	● Red		46	22,000
556-16B4-304F	● Green		32	41,500
556-17B4-304F	● Yellow		46	13,500
556-18B4-304F	● Blue		32	13,000
			46	





## Certifications & Ratings

- RoHS Compliant
- Watertight to Mil-L-3661B spec

## Application

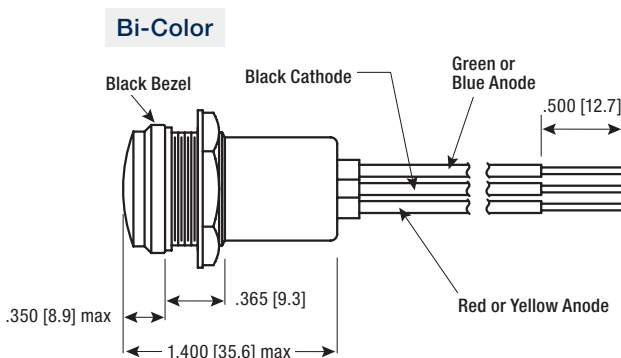
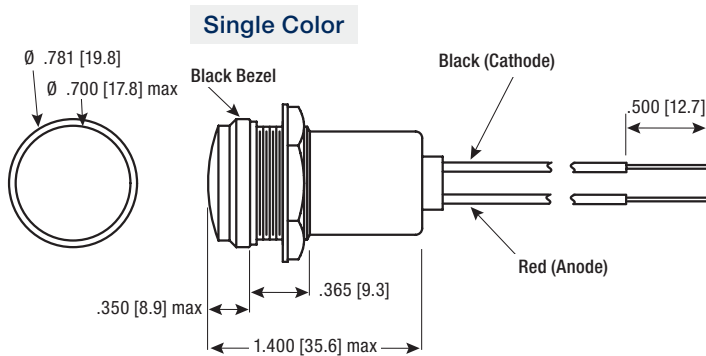
The 557 Series LED Panel Mount Indicators incorporate both InGaN and AlInGaP technologies to offer higher intensities. This is a highly durable package, designed to withstand outdoor applications susceptible to rain, dust, and sunlight.

- Instrument panels
- Safety applications
- Transportation—rail, bus, airline
- Vending, gaming
- Lane control

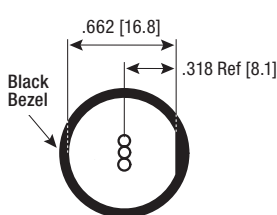
... and many more!

## Dimensions

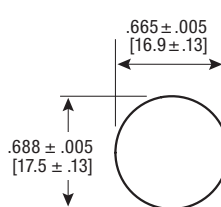
inches [mm]



Back View of Housing



Recommended Mounting Hole



## Mechanical information

**Mounting Hole Size:** 0.687" (17.46 mm)

**Max Panel Thickness:** 0.156" (3.96 mm)

**Mounting Torque:** 15 in-lbs torque

## Specifications

**Voltage Options:** 5, 12, 24, and 28 VDC (bi-color: 5 VDC)

**Operating Temp:** -25 °C to +85 °C  
(bi-color: -30 °C to +80 °C)

**Storage Temp:** -30 °C to +100 °C  
(bi-color: -40 °C to +85 °C)

**Electrical Connection:** 24 AWG Wire Leads

**Housing:** White Polycarbonate

**Lens Material:** Transparent Polycarbonate (UL 94V-0)

**Wire Leads:** 5.5"

**Lock Washer:** Phosphor Bronze—White Nickel Plated

**Nut:** Brass—White Nickel Plated

## Ordering Information 557 Series

**Part Number Guide** RoHS Compliant

5 5 7 - 1 X X X - 2 0 3 F

Color		Voltage
○ White	0 0	
● Red	5 0	
● Green	6 0	2 5vdc
● Yellow	7 0	3 12vdc*
● Blue	8 0	4 28vdc*
● Red/Green	4 1	5 24vdc*
● Red/Blue	4 2	
● Yellow/Green	4 3	
● Yellow/Blue	4 4	
● Yellow/Red	4 5	

*\*single color only*

**Feedback Circuit Part Number Guide** RoHS Compliant

5 5 7 - 1 X X X - 2 0 3 F

Color		Voltage
● Green	6 9	3 12 vdc

### Feedback Circuit shows the status of the LED

LED Status	Signal Voltage
Normal	0-1
Open	10-12
Short	10-12

Part Number	Color	Voltage (VDC)	Current (mA)	Typical Intensity (mcd)	
557-1002-203F	○ White	5	16	5350	
557-1502-203F	● Red		80	800	
557-1602-203F	● Green		16	4900	
557-1702-203F	● Yellow		80	1550	
557-1802-203F	● Blue		16	1200	
557-1412-203F	● Red/Green		70/16	720/1800	
557-1422-203F	● Red/Blue		70/16	625/425	
557-1432-203F	● Yellow/Green		70/16	585/1700	
557-1442-203F	● Yellow/Blue		70/16	635/445	
557-1452-203F	● Yellow/Red		70/20	650/350	
557-1003-203F	○ White		12	16	5350
557-1503-203F	● Red			20	800
557-1603-203F	● Green			16	4900
557-1693-203F	● Green			16	4900
557-1703-203F	● Yellow	20		1550	
557-1803-203F	● Blue	16		1200	
557-1005-203F	○ White	24	16	5350	
557-1505-203F	● Red		20	800	
557-1605-203F	● Green		16	4900	
557-1705-203F	● Yellow		20	1550	
557-1805-203F	● Blue		16	1200	
557-1604-203F	● Green		28	16	4900
557-1704-203F	● Yellow	20		1550	
557-1804-203F	● Blue	16		1200	



### Certifications & Ratings

- RoHS Compliant

### Application

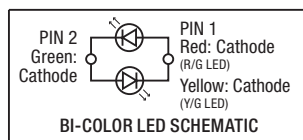
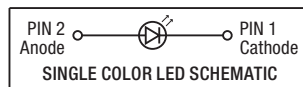
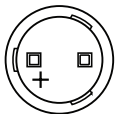
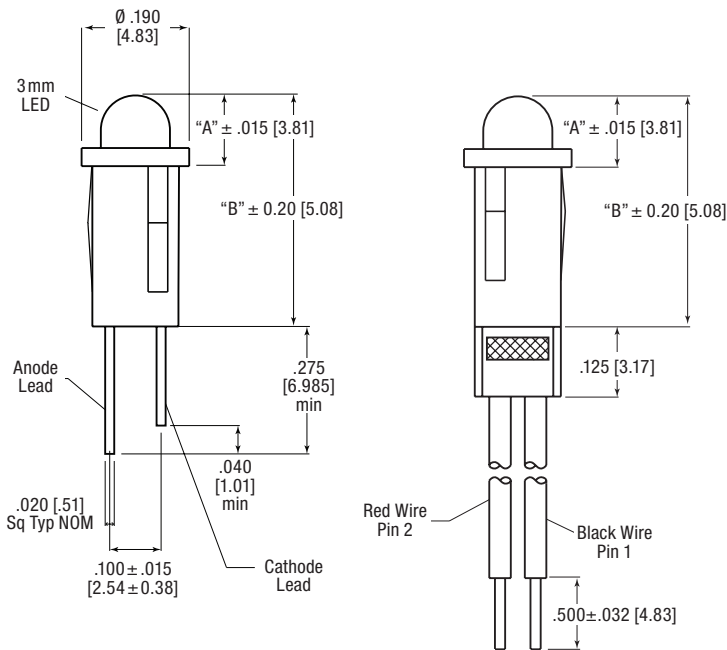
Dialight's 558 series LED panel mount indicator is available with a variety of LEDs including AllnGaP and InGaN technology for high brightness applications, bi-color and integral resistors. These indicators are designed for a variety of applications such as:

- Fan tray assemblies
- Data center infrastructure (servers and storage)
- Networking equipment (switches and routers)
- Storage networking hardware (fiber channel host bus adapter cards)
- Next-Gen wireless infrastructure
- Electronic test & measurement instruments
- Communications testing equipment

... and many more!

### Dimensions

inches [mm]



### Mechanical information

- Mounting Hole Size:** 0.155–0.158" (3.94–4.01 mm)
- Max Panel Thickness:** 0.031–0.062" (.787–1.57 mm)
- Mounting Torque:** N / A

### Specifications

- Voltage Options:** 1.8–3.3VDC typical, 5VDC typical (resistor included)
- Operating Temp:** See table
- Storage Temp:** -55°C to +100°C (-67°F to +212°F)
- Electrical Connection:** Straight terminals for wire wrapping or 26 AWG lead wire
- Housing:** Valox UL94V-0 and enhances LED contrast
- Connectors:** Available upon request
- Possible Connectors:** Samtec IPD1-05-S-K
- Terminals:** Available upon request
- Possible Terminals:** Samtec CC79L-2630-01-S; AMP 1-104480-3



## Ordering Information

### 558 Series

#### Part Number Guide

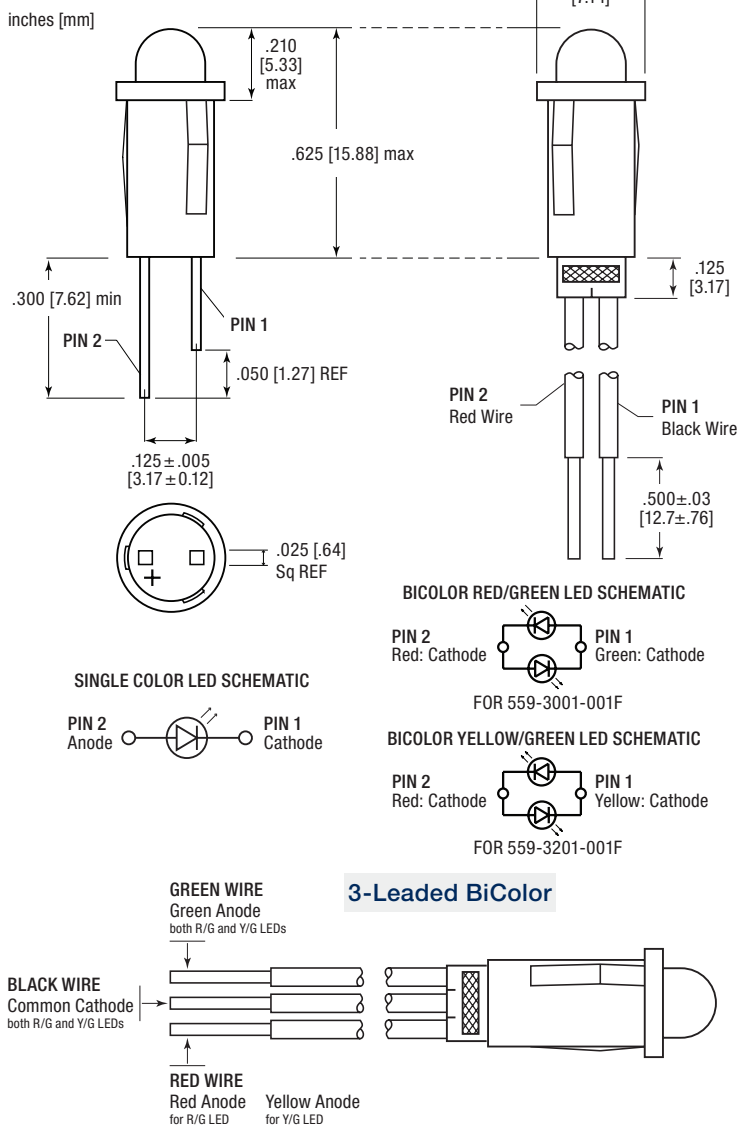
RoHS Compliant

5	5	8	-	X	X	X	X	-	0	X	X	F
									<b>LED Code</b> <i>(see below)</i>			
									<b>Wire Code</b>			
									Standard	0		
									PVC Free	2		
									<b>Termination Code</b>			
									Straight Terminals	1		
									26 AWG 6" wire leads	3		
									26 AWG 14" wire leads	7		

LED Code	Color	Peak Wavelength (nm)	Intensity Typ. (mcd)	If Typ. (mA)	Vf Typ. (VDC)	Viewing Angle	Max DC Forward Current (mA)	Type	Operating Temp	DIM "A"	DIM "B"
0102	● Red	635	29	12	5	60	15	5 V Integral Resistor	-40 °C to +85 °C	0.101	0.381
0202	● Green	565	19	12	5	60	15				
0302	● Yellow	585	12.6	12	5	60	15				
3001	●● Red / Green	630 / 565	5.6 / 8.7 @10 mA	10 / 20	1.9 / 2.0 @20 mA	200	30 / 30	Bi-Color	-55 °C to +100 °C	0.101	0.381
3101	●● Red / Green	660 / 565	12.6 / 3.7	20	1.6 / 2.1	200	40 / 30				
3201	●● Yellow / Green	585 / 565	5.8 / 12.3	10	2.1 / 2.1	80	20 / 30				
0101	● Red	635	8.7	10	2	60	30	High Efficiency Diffused	-25 °C to +85 °C	0.111	0.391
0201	● Green	565	12.6	10	2.1	60	30				
0301	● Yellow	585	8.7	10	2.1	60	20				
0401	● Orange	600	7	10	1.9	60	25	Low Current Diffused	-55 °C to +85 °C	0.101	0.381
1801	● Red	660	60	20	1.8	60	40		-55 °C to +100 °C		
0803	● Blue	468	57	10	3.2	100	30		-40 °C to +100 °C		
1101	● Red	635	2.4	2	1.7	60	7	Non-Tinted / Non-Diffused	-55 °C to +100 °C	0.101	0.381
1201	● Yellow	585	1.4	2	1.8	60	7				
1301	● Green	565	1.6	2	1.9	60	7				
0501	● Green	565	70	20	2.1	45	30	Non-Tinted / Non-Diffused	-40 °C to +100 °C	0.101	0.381
0601	● Yellow	592	200	20	1.9	45	50		-40 °C to +100 °C		
0701	● Red	660	170	20	1.8	45	40		-40 °C to +100 °C		
6003	● Blue	468	520	20	3.3	45	30	Non-Tinted / Non-Diffused	-40 °C to +85 °C	0.101	0.381
6403	○ White	Y=.31 Y=.32	3000	20	3.3	45	30				
1501	● Green	565	40	10	2.1	45	30				
1601	● Yellow	585	70	20	2.1	45	20	Tinted / Non-Diffused	-55 °C to +100 °C	0.101	0.381
1701	● Red	660	170	20	1.8	45	40		-40 °C to +100 °C		
6203	● Green	518	85	2	2.1	100	30	White Diffused	-45 °C to +85 °C		



### Dimensions



### Certifications & Ratings

- RoHS compliant

### Application

Dialight's 559 series LED panel mount indicator is available with a variety of LEDs including AlInGaP and InGaN technology for high brightness applications, bicolor and integral resistors.

- Fan tray assemblies
- Data-center Infrastructure (Servers and Storage)
- Next-Gen Wireless Infrastructure
- Electronic Test & Measurement Instruments
- Communications Testing Equipment
- Hand held Devices
- ... and many more!

### Mechanical Information

- Mounting Hole Size:** 0.249–0.252" (6.32–6.40 mm)  
**Max Panel Thickness:** 0.031–0.062" (.787–1.57 mm)  
**Mounting Torque:** N/A

### Specifications

- Voltage Options:** 1.6–2.3 V DC typical (resistor required)  
 5, 12, 24V DC (no resistor required)
- Operating Temp:** See table
- Storage Temp:** -55 °C to +100 °C (-67 °F to +212 °F)
- Electrical Connection:** Straight terminals for wire wrapping or 24 AWG lead wire
- Housing:** Black — UL94V-0 and enhances LED contrast
- Wire Leads:** 6" or 14"
- Connectors:** Available upon request
- Possible Connectors:** Molex 50-57-9402  
 AMP 3-643814-3
- Terminals:** Available upon request
- Possible Terminals:** Molex 16-02-0069, 16-02-077,  
 AMP 42067-1



## Ordering Information 559 Series

### Part Number Guide

5 5 9 - X X X X - 0 X X F

LED Code (see below)

Wire Code

Termination Code

Standard

0

Straight Terminals

1

PVC Free

2

24 AWG 6" wire leads

3

24 AWG 14" wire leads

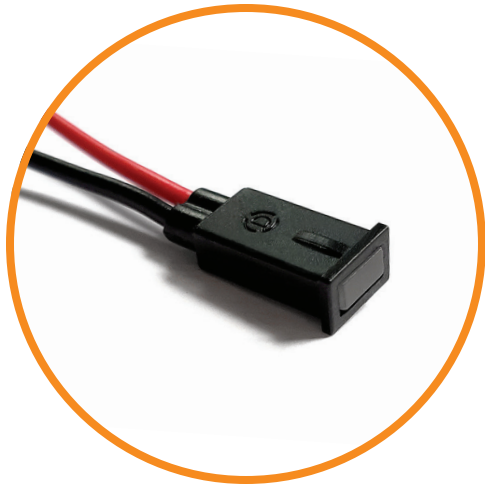
7

LED Code	Color	Peak Wavelength (nm)	Intensity Typ. (mcd)	If Typ. (mA)	Vf Typ. (V DC)	Viewing Angle	Max DC Forward Current (mA)	Type	Operating Temp
5501	Red	635	125	20	2.2	24	30	Non-Tinted/ Non-Diffused	-55 °C to +100 °C
5601	Green	565	120		2.3	24	30		-20 °C to +100 °C
5701	Yellow	583	140		2.1	24	20		-55 °C to +100 °C
5801	Orange	605	90		2.2	20	50		-30 °C to +85 °C
5901	Yellow	592	3100		2	15	50		-40 °C to +100 °C
6001	Blue	470	1500		3.6	30	30		-30 °C to +85 °C
6101	Red	635	2100		1.9	15	50		-40 °C to +100 °C
6201	Green	525	5000		3.2	30	30		-30 °C to +85 °C
6301	Orange	609	4000		1.9	15	50		-40 °C to +100 °C
6401	White	X = .31 Y = .32	2500		3.2	50	30		-30 °C to +85 °C
1101	Red	635	2.3	2	1.7	50	7	Low Current Diffused	-55 °C to +100 °C
1201	Yellow	583	1.8		1.9	50	7		
1301	Green	565	1.8		1.8	50	7		
2101	Red	650	6.3	10	2.2	50	20	Diffused	-25 °C to +85 °C
2201	Green	563	10		2.1	65	25		-55 °C to +100 °C
2301	Yellow	585	29		1.9	50	20		
2501	Orange	600	7		1.9	60	30		
5101	Red	635	40		2	50	25		
5201	Green	565	19	10	2.1	50	30	-55 °C to +100 °C	
5301	Yellow	585	29		2.1	50	20		
5401	Amber	610	50	20	2.1	50	20	-40 °C to -100 °C	
0102	Red	635	8	10	5	60	15	5V Integral Resistor	-40 °C to +85 °C
0202	Green	565	8	12	5	60	15		-20 °C to +85 °C
0302	Yellow	583	8	10	5	60	15		-40 °C to +85 °C
0103	Red	635	8	13	12	60	15	12V Integral Resistor	-55 °C to +100 °C
0203	Green	565	8		12	60	15		-20 °C to +85 °C
0303	Yellow	583	8		12	60	15		-40 °C to +85 °C
5904	Yellow	592	3100	20	24	15	50	24V Integral Resistor	-30 °C to +85 °C
6104	Red	635	2100		24	15	50		
6204	Green	525	5000		24	30	50		
3001	Red / Green	660 / 565	90 / 40	10	1.8 / 2.1	60	40 / 30	2 leaded Bi-color	-55 °C to +100 °C
3201	Yellow / Green	589 / 571	30 / 50		2.1 / 2.1	50	20		-30 °C to +85 °C
3501	Red / Green	635 / 565	5.0 / 8.0		2.1 / 2.3	65	30	3 leaded Bi-color	-20 °C to +85 °C
3601	Yellow / Green	590 / 568	9 / 13.5		2 / 2.1	65	30		

Dialight reserves the right to make changes at any time in order to supply the best product possible. The most current version of this document will always be available at: [www.dialightsignalsandcomponents.com](http://www.dialightsignalsandcomponents.com)

**Warranty Statement:** Except for the warranty expressly provided for at: [www.dialight.com/resources/warranties/](http://www.dialight.com/resources/warranties/), Dialight disclaims any and all other warranties, express or implied, including, without limitation, any warranties of merchantability, fitness for a particular purpose, title, and noninfringement.

### 0.216 x 0.139" (5.49 x 3.53 mm) Mounting Hole



### Certifications & Ratings

- RoHS compliant

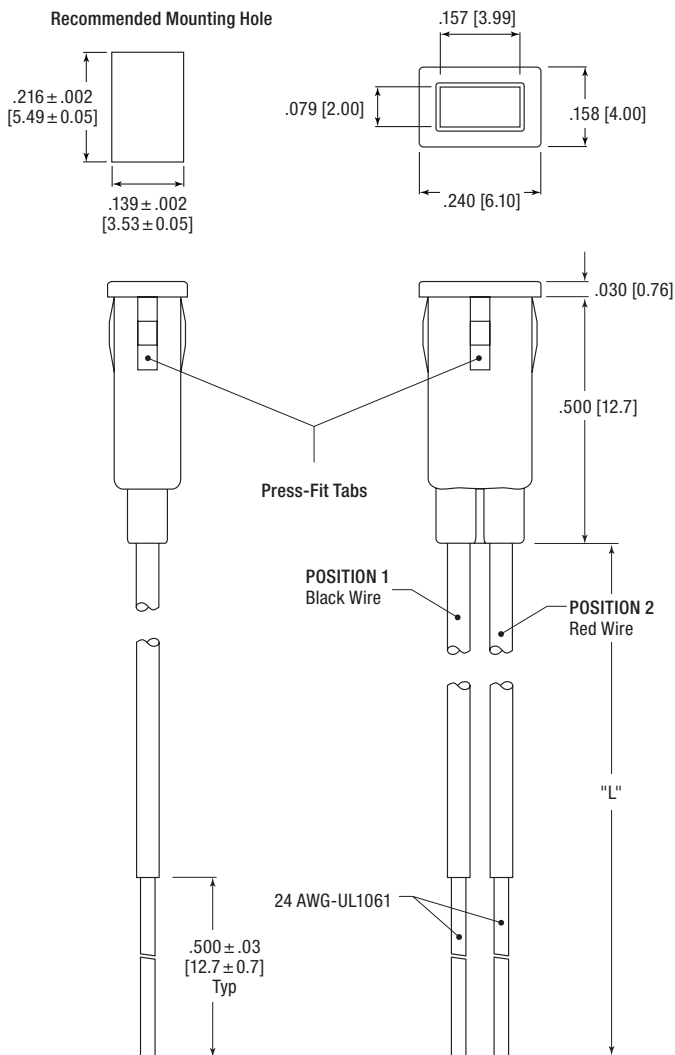
### Application

Dialight's 559 series LED panel mount indicator is available with a variety of LEDs including AlInGaP and InGaN technology for high brightness applications, bicolor and integral resistors.

- Fan tray assemblies
- Data-center Infrastructure (Servers and Storage)
- Next-Gen Wireless Infrastructure
- Electronic Test & Measurement Instruments
- Communications Testing Equipment
- Hand held Devices
- ... and many more!

### Dimensions

inches [mm]



### Mechanical Information

**Mounting Hole Size:** 0.216 ± .002" x 0.139 ± .002"  
(5.49 ± .05 mm x 3.53 ± .05 mm)

**Max Panel Thickness:** 0.031 – 0.062" (.787 – 1.57 mm)

### Specifications

**Voltage Options:** 1.6 – 3.2V DC typical  
(resistor required)

**Operating Temp:** See table

**Storage Temp:** See table

**Electrical Connection:** 24 AWG 14" lead wire

**Housing:** Black – UL94V-0 and enhances LED contrast

**Connectors:** Available upon request

**Possible Connectors:** Molex 50-57-9402  
AMP 3-643814-3

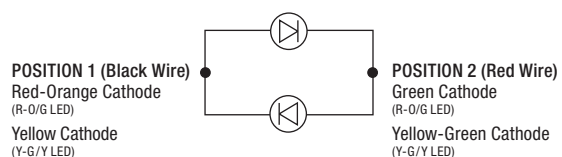
**Terminals:** Available upon request

**Possible Terminals:** Molex 16-02-0069, 16-02-077,  
AMP 42067-1

### SINGLE COLOR LED SCHEMATIC



### BICOLOR LED SCHEMATIC



## Ordering Information 559 Rectangle Series

**Part Number Guide**

5 5 9 - 8 X X 0 - 0 0 7 F *RoHS Compliant*

Color		Termination
1	0	7 24 AWG 14" wire leads
2	0	
3	0	
4	0	
1	2	
3	2	

Part Number	Color	Peak Wavelength (nm)	Intensity Typ. (mcd)	If Typ. (mA)	Vf Typ. (V DC)	Viewing Angle	Max DC Forward Current (mA)	Operating Temp	Storage Temp
559-8100-007F	Red	635	125	20	2.0	104	30	-55 °C to +100 °C	
559-8200-007F	Green	565	120		2.1	104	30	-20 °C to +100 °C	
559-8300-007F	Yellow	585	140		2.1	104	20	-55 °C to +100 °C	
559-8400-007F	Blue	468	67		3.2	100	20	-30 °C to +85 °C	-40 °C to +100 °C
559-8120-007F	Red-Orange / Green	630 / 565	90 / 40		2.1	140	30	-55 °C to +100 °C	-55 °C to +100 °C
559-8320-007F	Yellow-Green / Yellow	570 / 591	30 / 50		2.1	120	20	-30 °C to +85 °C	-40 °C to +100 °C

Dialight reserves the right to make changes at any time in order to supply the best product possible. The most current version of this document will always be available at: [www.dialightsignalsandcomponents.com](http://www.dialightsignalsandcomponents.com)

**Warranty Statement:** Except for the warranty expressly provided for [herein/above/below], Dialight disclaims any and all other warranties, express or implied, including, without limitation, any warranties of merchantability, fitness for a particular purpose, title, and noninfringement.



## Certifications & Ratings

- RoHS compliant

## Application

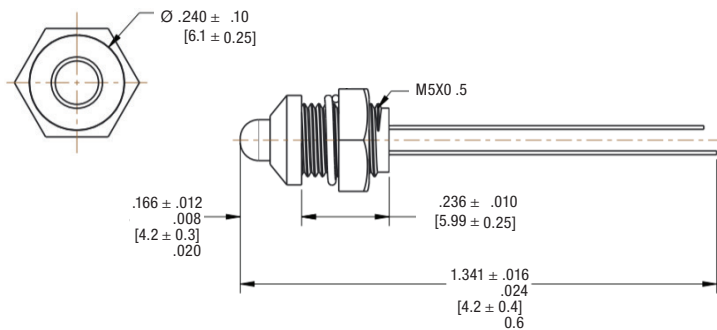
The 605 Series LED Panel Mount Indicators are designed for a variety of applications such as.

- Main power indication
  - Remote power indication
  - Status indication
  - Maintenance and warning indication
  - Instrumentation
- ... and many more!

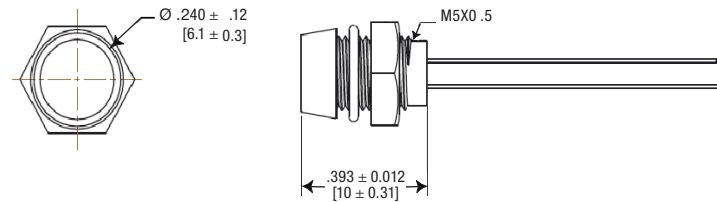
## Dimensions

inches [mm]

### Protruding



### Recessed



## Mechanical Information

- Mounting Hole Size:** 0.205" (5.2 mm)
- Max Panel Thickness:** 0.138" (3.5 mm)
- Mounting Torque:** 0.362 lbs/ft (5 kg/cm)

## Specifications

- Voltage Options:** 2 VDC (resistor required)
- Operating temp:** -25 °C to +85 °C (-13 °F to +185 °F)
- Storage Temp:** -25 °C to +100 °C (-13 °F to +212 °F)
- Electrical Connection:** Through hole leads\*
- Housing:** Brass—Chrome plated
- Terminals:** Copper—Nickel Plated
- Lock washer:** Iron—Nickel Plated
- Nut:** Brass—Nickel Plated

\*LED leads are always insulated from indicator housing.

## Ordering Information 605 Series

Part Number	Color	Voltage (VDC)	Current (mA)	Typical Intensity (mcd)	LED Position	Finish
605-1111-110F	Red	2	15	60	Protruding	Chrome
605-1211-110F	Green			70		
605-1311-110F	Yellow			50		
605-2111-110F	Red			60	Recessed	
605-2211-110F	Green			70		
605-2311-110F	Yellow			50		

Dialight reserves the right to make changes at any time in order to supply the best product possible. The most current version of this document will always be available at: [www.dialightsignalsandcomponents.com](http://www.dialightsignalsandcomponents.com)

**Warranty Statement:** Except for the warranty expressly provided for at: [www.dialight.com/resources/warranties/](http://www.dialight.com/resources/warranties/), Dialight disclaims any and all other warranties, express or implied, including, without limitation, any warranties of merchantability, fitness for a particular purpose, title, and noninfringement.





## Certifications & Ratings

- RoHS compliant

## Application

The 606 Series LED Panel Mount Indicators are designed for a variety of applications such as:

- Main power indication
  - Remote power indication
  - Status indication
  - Maintenance and warning indication
  - Instrumentation
- ... and many more!

## Dimensions

inches [mm]

Figure 1

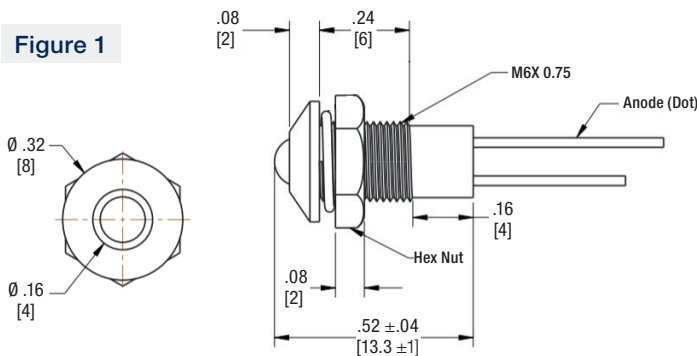


Figure 2

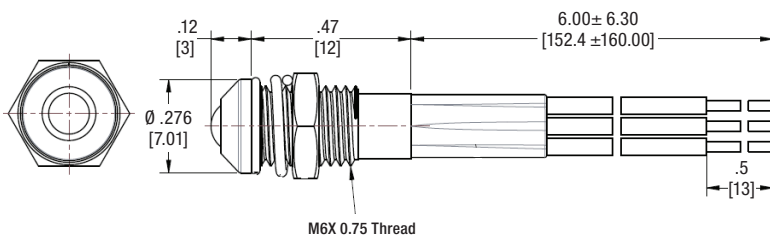
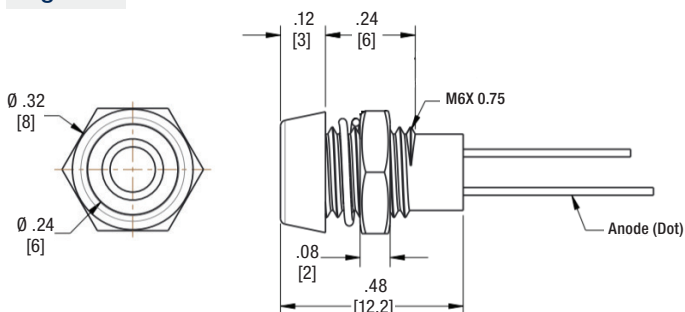


Figure 3



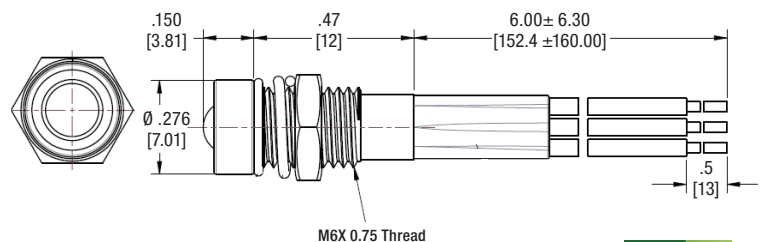
## Mechanical Information

- Mounting Hole Size:** 0.244" (6.2 mm)  
**Max Panel Thickness:** 0.138" (3.5 mm)  
**Mounting Torque:** 0.362 lbs/ft (5 kg/cm) torque

## Specifications

- Voltage Options:** 2, 3, 6 and 12 V DC  
 Single-Color: Resistor Required  
 Bi-Color: No Resistor Required
- Operating temp:** -25 °C to +85 °C (-13 °F to +185 °F)  
**Storage Temp:** -25 °C to +100 °C (-13 °F to +212 °F)
- Electrical Connection:** Through hole and 26AWG wire leads (bi-color only)
- Housing:** Brass—Chrome Plated  
**Terminals:** Copper—Nickel Plated  
**Wire Leads:** 6" on bi-color only  
**Lock washer:** Iron—Nickel Plated  
**Nut:** Brass—Nickel Plated

Figure 4



## Ordering Information 606 Series

Part Number	Color	Voltage (VDC)	Current (mA)	Typical Intensity* (mcd)	LED Position	Finish	Figure
606-1111-110F	● Red	2	5	45	Protruding	Chrome	1
606-1211-110F	● Green		15	70			
606-1311-110F	● Yellow			60			
606-1215-110F	● Green			70			
606-1415-110F	●● Red/Green	3	10	40/50	Recess	2	
606-1415-120F	●● Red/Green	6		40/50			
606-1415-130F	●● Red/Green	12		40/50			
606-2111-110F	● Red	2	5	45	Recess	Chrome	3
606-2211-110F	● Green		15	70			
606-2311-110F	● Yellow			60			
606-2415-110F	●● Red/Green			40/50			
606-2415-120F	●● Red/Green	6	10	40/50	Recess	4	
606-2415-130F	●● Red/Green	12		40/50			

\*Bi-color intensity (Red/Green)  
 Single-Color: Resistor Required  
 Bi-Color: No Resistor Required

Dialight reserves the right to make changes at any time in order to supply the best product possible. The most current version of this document will always be available at: [www.dialightsignalsandcomponents.com](http://www.dialightsignalsandcomponents.com)

**Warranty Statement:** Except for the warranty expressly provided for at: [www.dialight.com/resources/warranties/](http://www.dialight.com/resources/warranties/), Dialight disclaims any and all other warranties, express or implied, including, without limitation, any warranties of merchantability, fitness for a particular purpose, title, and noninfringement.

# 606 Series 6 mm Expanded Temperature Range Panel Mount Indicators



## Certifications & Ratings

- RoHS compliant
- IP67

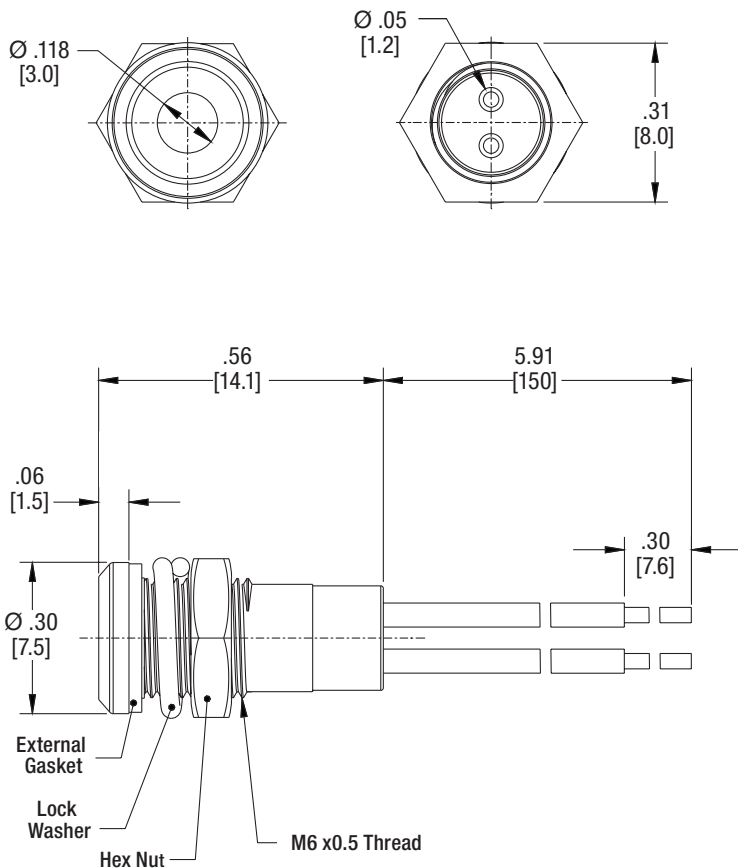
## Application

The 606 Series LED Panel Mount Indicators are designed for a variety of applications such as:

- Main power indication
- Remote power indication
- Status indication
- Maintenance and warning indication
- Instrumentation . . . and many more!

## Dimensions

inches [mm]



## Mechanical Information

- Mounting Hole Size:** 0.244" (6.2mm)
- Max Panel Thickness:** 0.138" (3.5mm)
- Mounting Torque:** 0.362 lbs/ft (5 kg/cm) torque

## Specifications

- Voltage Options:** 3 VDC (resistor required)  
6, 12, 24, and 28 VDC (no resistor required)
- Operating temp:** -40 °C to +85 °C (-40 °F to +185 °F)
- Storage Temp:** -40 °C to +100 °C (-40 °F to +212 °F)
- Electrical Connection:** 26 AWG wire leads

- Housing:** Stainless Steel
- Wire Leads:** 6" -(26 AWG)
- Lock washer:** Iron—Nickel Plated
- Nut:** Brass—Nickel Plated



## Ordering Information 606 Series

Part Number	Color	Voltage (VDC)	Current (mA)	Typical Intensity* (mcd)
606-3115-110F	Red	3	15	620
606-3215-110F	Green			2500
606-3315-110F	Yellow			620
606-3415-110F	Blue			620
606-3115-120F	Red	6		620
606-3215-120F	Green			2500
606-3315-120F	Yellow			620
606-3415-120F	Blue			620
606-3115-130F	Red	12		620
606-3215-130F	Green			2500
606-3315-130F	Yellow			620
606-3415-130F	Blue			620
606-3115-140F	Red	24		620
606-3215-140F	Green			2500
606-3315-140F	Yellow			620
606-3415-140F	Blue			620
606-3115-150F	Red	28	620	
606-3215-150F	Green		2500	
606-3315-150F	Yellow		620	
606-3415-150F	Blue		620	

Dialight reserves the right to make changes at any time in order to supply the best product possible. The most current version of this document will always be available at: [www.dialightsignalsandcomponents.com](http://www.dialightsignalsandcomponents.com)

**Warranty Statement:** Except for the warranty expressly provided for at: [www.dialight.com/resources/warranties/](http://www.dialight.com/resources/warranties/), Dialight disclaims any and all other warranties, express or implied, including, without limitation, any warranties of merchantability, fitness for a particular purpose, title, and noninfringement.





## Dimensions

inches [mm]

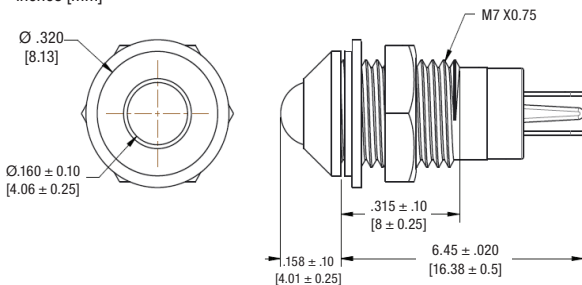


Figure 1

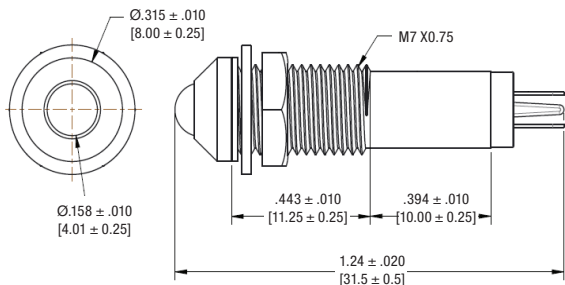


Figure 2

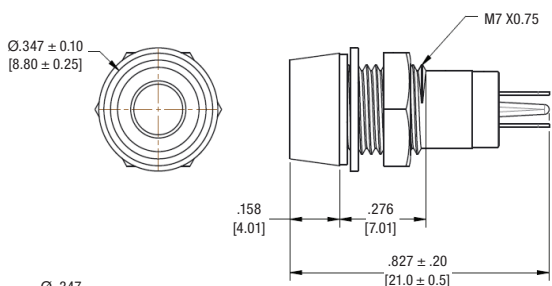


Figure 3

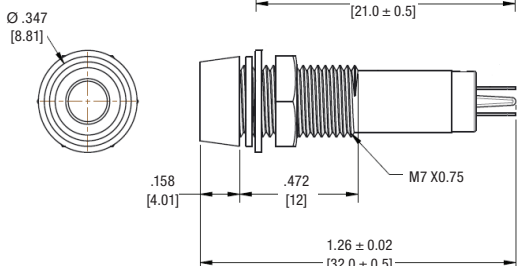


Figure 4

These indicators are un-polarized

[www.dialightsignalsandcomponents.com](http://www.dialightsignalsandcomponents.com)

## Certifications & Ratings

- RoHS compliant
- NEMA 4X (Watertight only)
- IP66 (Watertight only)

## Application

The 607 Series LED Panel Mount Indicators are designed for a variety of applications such as:

- Main power indication
- Remote power indication
- Status indication
- Maintenance and warning indication
- Instrumentation

... and many more!

## Mechanical Information

<b>Mounting Hole Size:</b>	0.283" (7.2 mm)
<b>Max Panel Thickness:</b>	See part numbers
<b>Mounting Torque:</b>	0.362 lbs/ft (5 kg/cm) 0.217 lbs/ft or 3 kg/cm (Figure 5 only)

## Specifications

<b>Voltage Options:</b>	2 VDC (resistor required) 6, 12 & 24 VDC (no resistor required)
<b>Operating Temp:</b>	-30°C to +85°C (-22°F to +185°F)
<b>Storage Temp:</b>	-40°C to +85°C (-40°F to +185°F)
<b>Electrical Connection:</b>	Solder terminals
<b>Housing:</b>	Protruding & recessed positions: Brass—Chrome Plated Internal position: Polycarbonate
<b>Terminals:</b>	Copper—Nickel Plated
<b>Lock Washer:</b>	Iron—Nickel Plated
<b>Nut:</b>	Brass—Nickel Plated

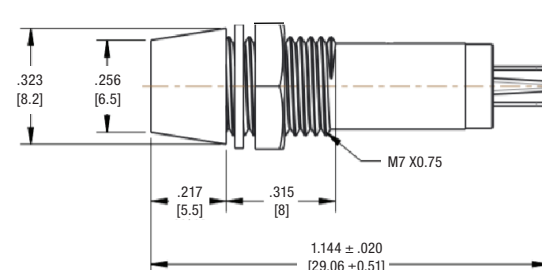


Figure 5

## Ordering Information 607 Series

Standard		Watertight											
Part Number	Part Number	Color	Voltage (V DC)	Current (mA)	Intensity Typ. (mcd)	LED Positions	Figure	Panel Thickness					
607-1112-110F	607-1112-310F	● Red	2	15	40	Protruding	1	0.187" (4.75 mm)					
607-1212-110F	607-1212-310F	● Green			65								
607-1312-110F	607-1312-310F	● Yellow			55								
607-1112-120F	607-1112-320F	● Red	6		40		Recessed		2	0.265" (6.75 mm)			
607-1212-120F	607-1212-320F	● Green			65								
607-1312-120F	607-1312-320F	● Yellow			55								
607-1112-130F	607-1112-330F	● Red	12		40						Internal	3	0.136" (3.45 mm)
607-1212-130F	607-1212-330F	● Green			65								
607-1312-130F	607-1312-330F	● Yellow			55								
607-2112-110F	607-2112-310F	● Red	2		65	Recessed		4	0.336" (8.50 mm)				
607-2212-110F	607-2212-310F	● Green			85								
607-2312-110F	607-2312-310F	● Yellow			70								
607-2112-120F	607-2112-320F	● Red	6		65		Internal	5		0.187" (4.75 mm)			
607-2212-120F	607-2212-320F	● Green			85								
607-2312-120F	607-2312-320F	● Yellow			70								
607-2112-130F	607-2112-330F	● Red	12	65	Internal			5			0.187" (4.75 mm)		
607-2212-130F	607-2212-330F	● Green		85									
607-2312-130F	607-2312-330F	● Yellow		70									
607-3132-120F	607-3132-320F	● Red	6	35		Internal		5	0.187" (4.75 mm)				
607-3232-120F	607-3232-320F	● Green		45									
607-3332-120F	607-3332-320F	● Yellow		40									
607-3132-130F	607-3132-330F	● Red	12	35			Internal	5		0.187" (4.75 mm)			
607-3232-130F	607-3232-330F	● Green		45									
607-3332-130F	607-3332-330F	● Yellow		40									
607-3132-140F	607-3132-340F	● Red	24	35	Internal			5			0.187" (4.75 mm)		
607-3232-140F	607-3232-340F	● Green		45									
607-3332-140F	607-3332-340F	● Yellow		40									

Dialight reserves the right to make changes at any time in order to supply the best product possible. The most current version of this document will always be available at: [www.dialightsignalsandcomponents.com](http://www.dialightsignalsandcomponents.com)  
**Warranty Statement:** Except for the warranty expressly provided for at: [www.dialight.com/resources/warranties/](http://www.dialight.com/resources/warranties/), Dialight disclaims any and all other warranties, express or implied, including, without limitation, any warranties of merchantability, fitness for a particular purpose, title, and noninfringement.





## Certifications & Ratings

- RoHS compliant

## Application

The 608 Series LED Panel Mount Indicators are designed for a variety of applications such as.

- Main power indication
  - Remote power indication
  - Status indication
  - Maintenance and warning indication
  - Instrumentation
- ... and many more!

## Dimensions

inches [mm]

Figure 1

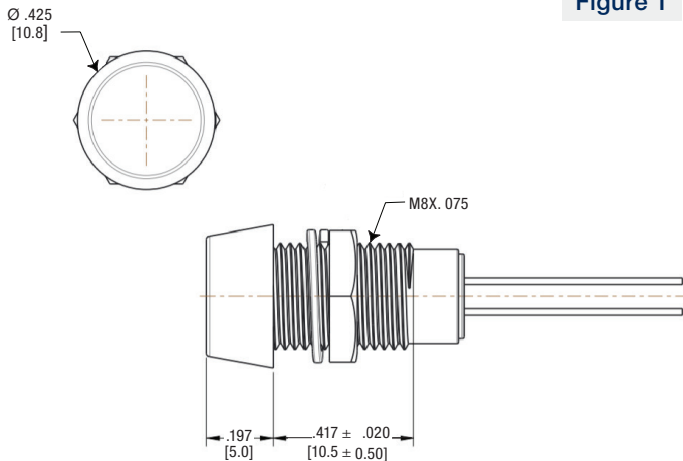
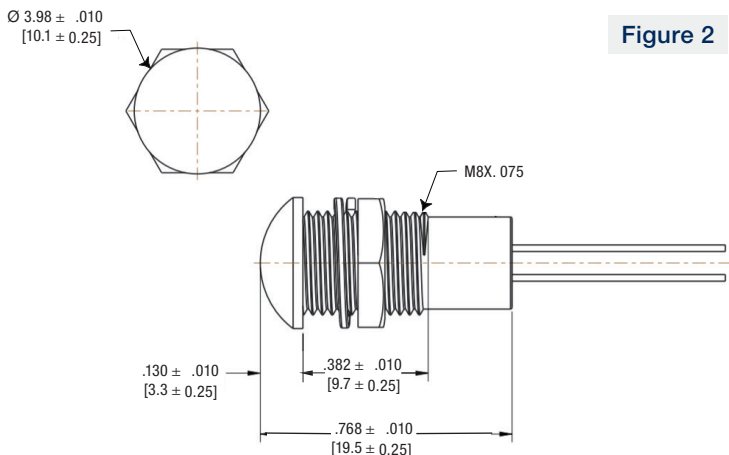


Figure 2



## Mechanical Information

**Mounting Hole Size:** 0.323" (8.2 mm) (Fig. 1 & 2),

**Max Panel Thickness:** See part numbers

**Mounting Torque:** 0.217 lbs/ft or 3 kg/cm

## Specifications

**Voltage Options:** 2 VDC (resistor required)

**Operating Temp:** -25 °C to +85 °C (-13 °F to +185 °F)

**Storage Temp:** -25 °C to +85 °C (-13 °F to +185 °F)

**Electrical Connection:** Straight terminals (Fig. 1 & 2),

**Housing:** Polycarbonate

**Lock Washer:** Iron — Nickel Plated

**Nut:** Brass — Nickel Plated

*These indicators are un-polarized*

## Ordering Information 608 Series

Part Number	Color	Voltage (V DC)	Current (mA)	Typical Intensity (mcd)	Lens Shape	Figure	Panel Thickness
-------------	-------	----------------	--------------	-------------------------	------------	--------	-----------------

### Lock Washer & Nut

608-1131-110F	● Red	2	15	25	Domed	1	0.236" (6 mm)
608-1231-110F	● Green			30			
608-1331-110F	● Yellow			15			
608-3131-110F	● Red			25	Flat	2	
608-3231-110F	● Green			30			
608-3331-110F	● Yellow			15			

Dialight reserves the right to make changes at any time in order to supply the best product possible. The most current version of this document will always be available at: [www.dialightsignalsandcomponents.com](http://www.dialightsignalsandcomponents.com)

**Warranty Statement:** Except for the warranty expressly provided for at: [www.dialight.com/resources/warranties/](http://www.dialight.com/resources/warranties/), Dialight disclaims any and all other warranties, express or implied, including, without limitation, any warranties of merchantability, fitness for a particular purpose, title, and noninfringement.



### Certifications & Ratings

- RoHS compliant
- NEMA 4X (Watertight only)
- IP66 (Watertight only)

### Application

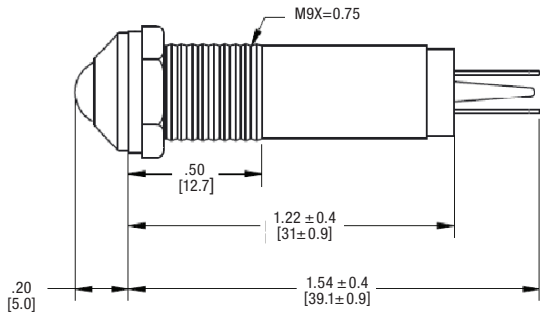
The 609 Series LED Panel Mount Indicators are designed for a variety of applications such as:

- Main power indication
  - Remote power indication
  - Status indication
  - Maintenance and warning indication
  - Instrumentation
- ... and many more!

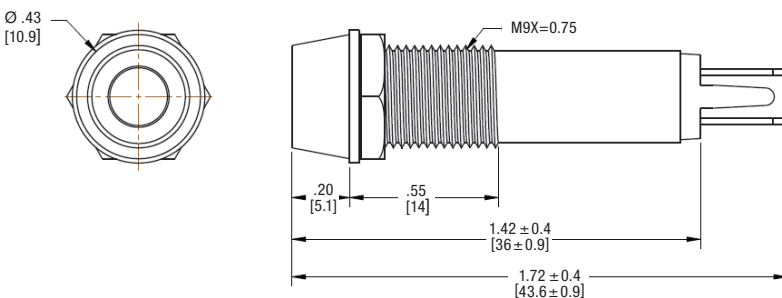
### Dimensions

inches [mm]

#### Protruding



#### Recessed



*These indicators are un-polarized*

### Mechanical Information

<b>Mounting Hole Size:</b>	0.374" (9.5 mm)
<b>Max Panel Thickness:</b>	0.374" (9.5 mm); with Gasket: 0.318" (8.0 mm)
<b>Mounting Torque:</b>	0.362 lbs/ft (5 kg/cm)

### Specifications

<b>Voltage Options:</b>	6, 12 & 24 V DC (no resistor required)
<b>Operating Temp:</b>	-30 °C to +85 °C (-22 °F to +185 °F)
<b>Storage Temp:</b>	-40 °C to +85 °C (-40 °F to +185 °F)
<b>Electrical Connection:</b>	Solder terminals
<b>Housing:</b>	Brass—Chrome or Black Plated
<b>Terminals:</b>	Copper—Nickel Plated
<b>Lock washer:</b>	Iron—Nickel Plated
<b>Nut:</b>	Brass—Nickel Plated

## Ordering Information 609 Series

Part Number Guide						RoHS Compliant						
6	0	9	-	X	X	X	2	-	X	X	0	F
LED Position			Plating			Voltage						
Protruding	1		1	Chrome	2	6VDC						
Recessed	2		2	Black	3	12VDC						
					4	24VDC						
Color												
Red	1		1	Standard								
Green	2		3	Watertight								
Yellow	3											

### Protruding LED

Part Number	Part Number	Color	Voltage (V DC)	Current (mA)	Intensity Typ. (mcd)	Plating		
Standard	Watertight							
609-1112-120F	609-1112-320F	Red	6	15	85	Chrome		
609-1212-120F	609-1212-320F	Green			115			
609-1312-120F	609-1312-320F	Yellow			90			
609-1112-130F	609-1112-330F	Red	12		85		Chrome	
609-1212-130F	609-1212-330F	Green			115			
609-1312-130F	609-1312-330F	Yellow			90			
609-1112-140F	609-1112-340F	Red	24		85	Chrome		
609-1212-140F	609-1212-340F	Green			115			
609-1312-140F	609-1312-340F	Yellow			90			
609-1122-120F	609-1122-320F	Red	6		15		85	Black
609-1222-120F	609-1222-320F	Green					115	
609-1322-120F	609-1322-320F	Yellow					90	
609-1122-130F	609-1122-330F	Red	12			85	Black	
609-1222-130F	609-1222-330F	Green				115		
609-1322-130F	609-1322-330F	Yellow				90		
609-1122-140F	609-1122-340F	Red	24	85		Black		
609-1222-140F	609-1222-340F	Green		115				
609-1322-140F	609-1322-340F	Yellow		90				

### Recessed LED

Part Number	Part Number	Color	Voltage (V DC)	Current (mA)	Intensity Typ. (mcd)	Plating		
Standard	Watertight							
609-2112-120F	609-2112-320F	Red	6	15	85	Chrome		
609-2212-120F	609-2212-320F	Green			115			
609-2312-120F	609-2312-320F	Yellow			90			
609-2112-130F	609-2112-330F	Red	12		85		Chrome	
609-2212-130F	609-2212-330F	Green			115			
609-2312-130F	609-2312-330F	Yellow			90			
609-2112-140F	609-2112-340F	Red	24		85	Chrome		
609-2212-140F	609-2212-340F	Green			115			
609-2312-140F	609-2312-340F	Yellow			90			
609-2122-120F	609-2122-320F	Red	6		15		85	Black
609-2222-120F	609-2222-320F	Green					115	
609-2322-120F	609-2322-320F	Yellow					90	
609-2122-130F	609-2122-330F	Red	12			85	Black	
609-2222-130F	609-2222-330F	Green				115		
609-2322-130F	609-2322-330F	Yellow				90		
609-2122-140F	609-2122-340F	Red	24	85		Black		
609-2222-140F	609-2222-340F	Green		115				
609-2322-140F	609-2322-340F	Yellow		90				

Dialight reserves the right to make changes at any time in order to supply the best product possible. The most current version of this document will always be available at: [www.dialightsignalsandcomponents.com](http://www.dialightsignalsandcomponents.com)

**Warranty Statement:** Except for the warranty expressly provided for at: [www.dialight.com/resources/warranties/](http://www.dialight.com/resources/warranties/), Dialight disclaims any and all other warranties, express or implied, including, without limitation, any warranties of merchantability, fitness for a particular purpose, title, and noninfringement.



### Certifications & Ratings

- RoHS compliant

### Application

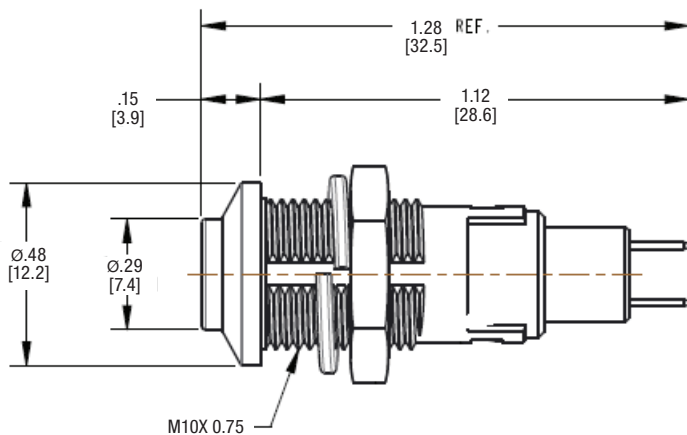
The 610 Series LED Panel Mount Indicators are designed for a variety of applications such as:

- Main power indication
- Remote power indication
- Status indication
- Maintenance and warning indication
- Instrumentation

... and many more!

### Dimensions

inches [mm]



### Mechanical Information

**Mounting Hole Size:** 0.413" (10.5 mm)

**Max Panel Thickness:** 0.236" (6.0 mm)

**Mounting Torque:** 0.217 lbs/ft (3 kg/cm)

### Specifications

**Voltage Options:** 6 VDC (no resistor required)

**Operating Temp:** -25 °C to +85 °C (-13 °F to +185 °F)

**Storage Temp:** -40 °C to +100 °C (-40 °F to +212 °F)

**Electrical Connection:** Solder terminals

**Housing:** Polycarbonate

**Terminals:** Copper—Nickel Plated

**Lock Washer:** Iron—Nickel Plated

**Nut:** Brass—Nickel Plated

### Ordering Information 610 Series

Part Number	Color	Voltage (V DC)	Current (mA)	Intensity Typ. (mcd)	LED Shape
610-3132-120F	Red	6	15	75	Round
610-3232-120F	Green			110	
610-3332-120F	Yellow			60	
610-4132-120F	Red			75	Square
610-4232-120F	Green			110	
610-4332-120F	Yellow			60	





### Certifications & Ratings

- RoHS compliant

### Application

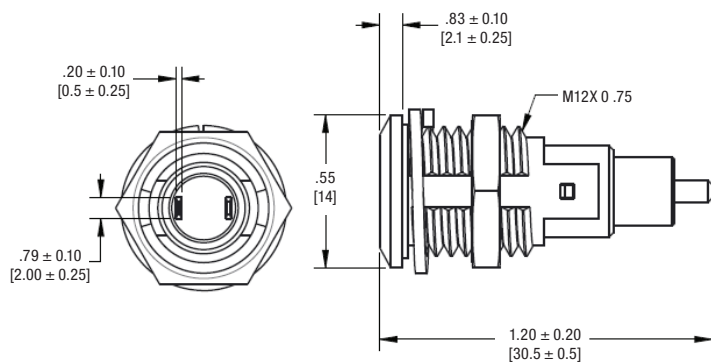
The 612 Series LED Panel Mount Indicators are designed for a variety of applications such as:

- Main power indication
- Remote power indication
- Status indication
- Maintenance and warning indication
- Instrumentation

... and many more!

### Dimensions

inches [mm]



### Mechanical Information

**Mounting Hole Size:** 0.492" (12.5 mm)

**Max Panel Thickness:** 0.236" (6.0 mm)

**Mounting Torque:** 0.217 lbs/ft (3 kg/cm)

### Specifications

**Voltage Options:** 6, 12 & 24 VDC (no resistor required)

**Operating Temp:** -25 °C to +85 °C (-13 °F to +185 °F)

**Storage Temp:** -25 °C to +100 °C (-13 °F to +212 °F)

**Electrical Connection:** Solder terminals

**Housing:** Polycarbonate

**Terminals:** Copper—Nickel Plated

**Lock Washer:** Iron—Nickel Plated

**Nut:** Brass—Nickel Plated

### Ordering Information 612 Series

Part Number	Color	Voltage (VDC)	Current (mA)	Intensity Typ. (mcd)
612-3132-120F	Red	6	15	65
612-3232-120F	Green			110
612-3332-120F	Yellow			80
612-3132-130F	Red	12		65
612-3232-130F	Green			110
612-3332-130F	Yellow			80
612-3132-140F	Red	24		65
612-3232-140F	Green			110
612-3332-140F	Yellow			80





### Certifications & Ratings

- RoHS compliant
- IP66/IP67
- IK10
- NEMA 4X

### Application

The 620 Series Heavy Duty LED Panel Mount Indicators are elegantly designed for a high-end aesthetic paired with sturdy construction. These indicators are non-magnetic, corrosion resistant for both indoor and outdoor use, and secured to prevent dirt, dust, and water penetration. Ideal for a variety of applications such as:

- Main power indication
  - Remote power indication
  - Status indication
  - Maintenance and warning indication
  - Instrumentation
- ... and many more!

### Dimensions

inches [mm]



*These indicators are un-polarized.*

### Mechanical Information

<b>Mounting Hole Size:</b>	0.323" (8.2 mm)
<b>Max Panel Thickness:</b>	0.394" (10 mm)
<b>Mounting Torque:</b>	7.01 lbs-ft (9.5 Nm)

### Specifications

<b>Operating Voltage:</b>	3 VDC (external resistor required) 6, 12 & 24 VDC (internal resistor included)
<b>Operating Temp:</b>	-25 °C to +70 °C (-13 °F to 158 °F)
<b>Storage Temp:</b>	-25 °C to +70 °C (-13 °F to 158 °F)
<b>Electrical Connection:</b>	Solder terminals
<b>Housing:</b>	Stainless Steel
<b>Terminals:</b>	Stainless Steel
<b>Nut:</b>	Stainless Steel

## Ordering Information 620 Series

### Part Number Guide

RoHS Compliant

6	2	0	-	1	X	X	X	-	3	0	4	F
							Voltage					
							1	3VDC				
							2	6VDC				
							3	12VDC				
							4	24VDC				
Color					1	0						
● Red					1	0						
● Green					2	0						
● Yellow					3	0						
● Blue					4	0						

Dialight P/N	Color	Voltage (VDC)	Current (mA)	Typical Intensity (mcd)
620-1101-304F	● Red	3	15	200
620-1201-304F	● Green			250
620-1301-304F	● Yellow			350
620-1401-304F	● Blue			300
620-1102-304F	● Red	6		200
620-1202-304F	● Green			250
620-1302-304F	● Yellow			350
620-1402-304F	● Blue			300
620-1103-304F	● Red	12		200
620-1203-304F	● Green			250
620-1303-304F	● Yellow			350
620-1403-304F	● Blue			300
620-1104-304F	● Red	24	200	
620-1204-304F	● Green		250	
620-1304-304F	● Yellow		350	
620-1404-304F	● Blue		300	

Dialight reserves the right to make changes at any time in order to supply the best product possible. The most current version of this document will always be available at: [www.dialightsignalsandcomponents.com](http://www.dialightsignalsandcomponents.com)

**Warranty Statement:** Except for the warranty expressly provided for at: [www.dialight.com/resources/warranties/](http://www.dialight.com/resources/warranties/), Dialight disclaims any and all other warranties, express or implied, including, without limitation, any warranties of merchantability, fitness for a particular purpose, title, and noninfringement.



### Certifications & Ratings

- RoHS compliant
- IP66/IP67
- IK10
- NEMA 4X

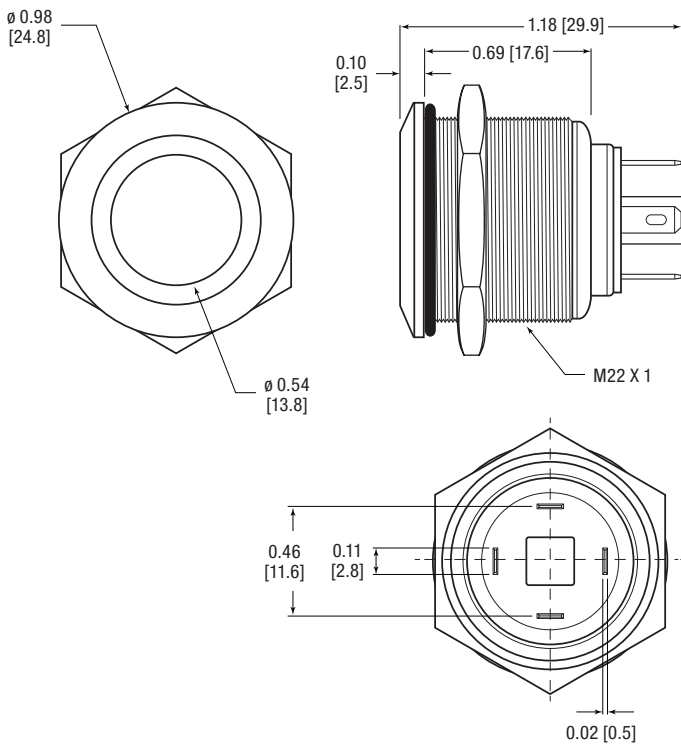
### Application

The 621 Series Heavy Duty LED Panel Mount Indicators are elegantly designed for a high-end aesthetic paired with sturdy construction. These indicators are non-magnetic, corrosion resistant for both indoor and outdoor use, and secured to prevent dirt, dust, and water penetration. Ideal for a variety of applications such as:

- Main power indication
  - Remote power indication
  - Status indication
  - Maintenance and warning indication
  - Instrumentation
- ... and many more!

### Dimensions

inches [mm]



*Please use the markings on the housing to properly connect this part for normal operation.*

### Mechanical Information

<b>Mounting Hole Size:</b>	0.866" (22mm)
<b>Max Panel Thickness:</b>	0.394" (10mm)
<b>Mounting Torque:</b>	7.01 lbs-ft (9.5 Nm)

### Specifications

<b>Operating Voltage:</b>	3, 6, 12 & 24 VDC (internal resistor included)
<b>Operating Temp:</b>	-25 °C to +70 °C (-13 °F to 158 °F)
<b>Storage Temp:</b>	-25 °C to +70 °C (-13 °F to 158 °F)
<b>Electrical Connection:</b>	Solder terminals, Common Cathode
<b>Housing:</b>	Stainless Steel
<b>Terminals:</b>	Stainless Steel
<b>Nut:</b>	Stainless Steel

## Ordering Information 621 Series

Dialight P/N	Color	Voltage (VDC)	Current (mA)	Typical Intensity (mcd)
--------------	-------	---------------	--------------	-------------------------

### Diffused Lens

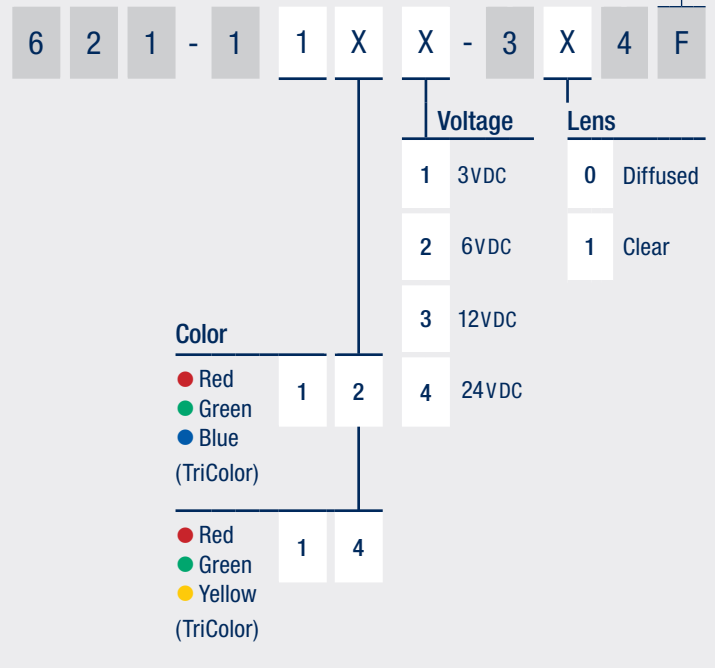
621-1121-304F	(TriColor)	3	15	<ul style="list-style-type: none"> <li>● Red: 200</li> <li>● Green: 250</li> <li>● Blue: 300</li> </ul>
621-1122-304F	● Red	6		
621-1123-304F	● Green	12		
621-1124-304F	● Blue	24		
621-1141-304F	(TriColor)	3	15	<ul style="list-style-type: none"> <li>● Red: 115</li> <li>● Green: 110</li> <li>● Yellow: 435</li> </ul>
621-1142-304F	● Red	6		
621-1143-304F	● Green	12		
621-1144-304F	● Yellow	24		

### Clear Lens

621-1121-314F	(TriColor)	3	15	<ul style="list-style-type: none"> <li>● Red: 200</li> <li>● Green: 250</li> <li>● Blue: 300</li> </ul>
621-1122-314F	● Red	6		
621-1123-314F	● Green	12		
621-1124-314F	● Blue	24		
621-1141-314F	(TriColor)	3	15	<ul style="list-style-type: none"> <li>● Red: 115</li> <li>● Green: 110</li> <li>● Yellow: 435</li> </ul>
621-1142-314F	● Red	6		
621-1143-314F	● Green	12		
621-1144-314F	● Yellow	24		

### Part Number Guide

RoHS Compliant



Dialight reserves the right to make changes at any time in order to supply the best product possible. The most current version of this document will always be available at: [www.dialightsignalsandcomponents.com](http://www.dialightsignalsandcomponents.com)

**Warranty Statement:** Except for the warranty expressly provided for at: <https://www.dialight.com/resources/warranties/>, Dialight disclaims any and all other warranties, express or implied, including, without limitation, any warranties of merchantability, fitness for a particular purpose, title, and noninfringement.



### Certifications & Ratings

- RoHS compliant
- IP66/IP67
- IK10
- NEMA 4X

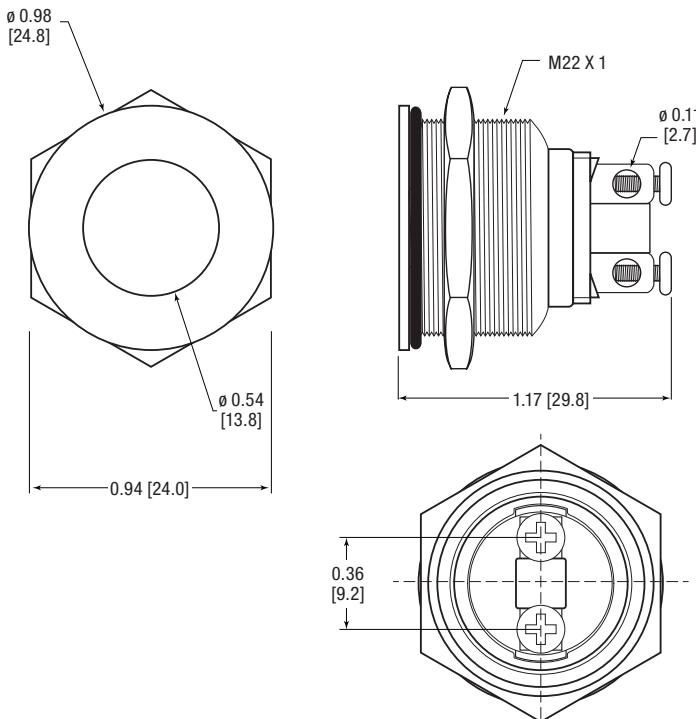
### Application

The 622 Series Heavy Duty LED Panel Mount Indicators are elegantly designed for a high-end aesthetic paired with sturdy construction. These indicators are non-magnetic, corrosion resistant for both indoor and outdoor use, and secured to prevent dirt, dust, and water penetration. Ideal for a variety of applications such as:

- Main power indication
  - Remote power indication
  - Status indication
  - Maintenance and warning indication
  - Instrumentation
- ... and many more!

### Dimensions

inches [mm]



*These indicators are un-polarized*

### Mechanical Information

<b>Mounting Hole Size:</b>	0.866" (22 mm)
<b>Max Panel Thickness:</b>	0.394" (10 mm)
<b>Mounting Torque:</b>	7.01 lbs-ft (9.5 Nm)

### Specifications

<b>Operating Voltage:</b>	3 VDC (external resistor required) 6, 12 & 24 VDC (internal resistor included)
<b>Operating Temp:</b>	-25 °C to +70 °C (-13 °F to 158 °F)
<b>Storage Temp:</b>	-25 °C to +70 °C (-13 °F to 158 °F)
<b>Electrical Connection:</b>	Screw terminals
<b>Housing:</b>	Stainless Steel
<b>Nut:</b>	Stainless Steel

## Ordering Information 622 Series

### Part Number Guide

RoHS Compliant

6	2	2	-	1	X	X	X	-	3	0	4	F
							Voltage					
							1	3VDC				
							2	6VDC				
							3	12VDC				
							4	24VDC				
Color												
● Red	1	0										
● Green	2	0										
● Yellow	3	0										
● Blue	4	0										

Dialight P/N	Color	Voltage (VDC)	Current (mA)	Typical Intensity (mcd)
622-1101-304F	● Red	3	15	200
622-1201-304F	● Green			250
622-1301-304F	● Yellow			350
622-1401-304F	● Blue			300
622-1102-304F	● Red	6		200
622-1202-304F	● Green			250
622-1302-304F	● Yellow			350
622-1402-304F	● Blue			300
622-1103-304F	● Red	12		200
622-1203-304F	● Green			250
622-1303-304F	● Yellow			350
622-1403-304F	● Blue			300
622-1104-304F	● Red	24	200	
622-1204-304F	● Green		250	
622-1304-304F	● Yellow		350	
622-1404-304F	● Blue		300	

Dialight reserves the right to make changes at any time in order to supply the best product possible. The most current version of this document will always be available at: [www.dialightsignalsandcomponents.com](http://www.dialightsignalsandcomponents.com)

**Warranty Statement:** Except for the warranty expressly provided for at: [www.dialight.com/resources/warranties/](http://www.dialight.com/resources/warranties/), Dialight disclaims any and all other warranties, express or implied, including, without limitation, any warranties of merchantability, fitness for a particular purpose, title, and noninfringement.



### Certifications & Ratings

- RoHS compliant
- IP66/IP67
- IK10
- NEMA 4X

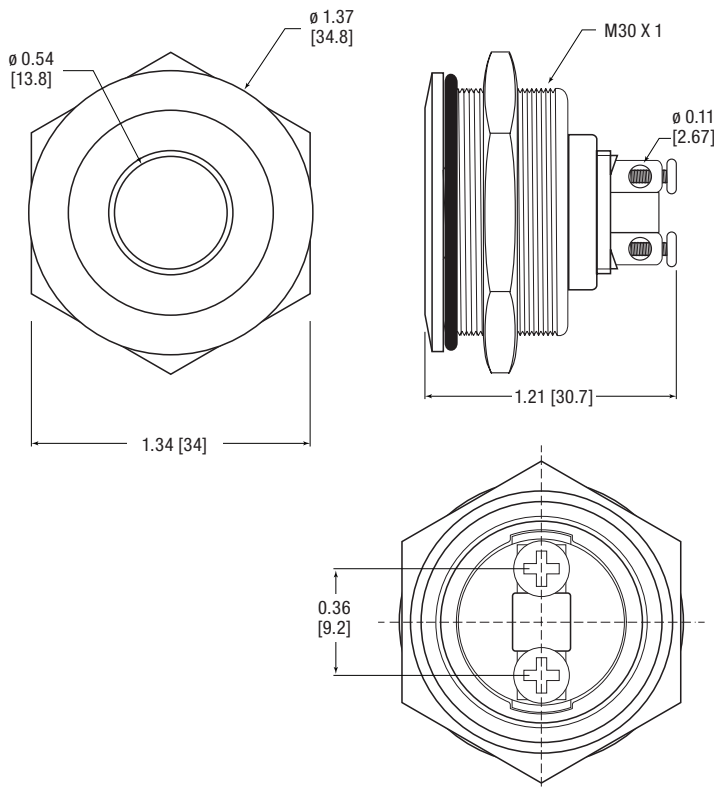
### Application

The 623 Series Heavy Duty LED Panel Mount Indicators are elegantly designed for a high-end aesthetic paired with sturdy construction. These indicators are non-magnetic, corrosion resistant for both indoor and outdoor use, and secured to prevent dirt, dust, and water penetration. Ideal for a variety of applications such as:

- Main power indication
  - Remote power indication
  - Status indication
  - Maintenance and warning indication
  - Instrumentation
- ... and many more!

### Dimensions

inches [mm]



*These indicators are un-polarized*

### Mechanical Information

<b>Mounting Hole Size:</b>	1.18" (30mm)
<b>Max Panel Thickness:</b>	0.394" (10mm)
<b>Mounting Torque:</b>	7.01 lbs-ft (9.5 Nm)

### Specifications

<b>Operating Voltage:</b>	3 VDC (external resistor required) 6, 12 & 24 VDC (internal resistor included)
<b>Operating Temp:</b>	-25 °C to +70 °C (-13 °F to 158 °F)
<b>Storage Temp:</b>	-25 °C to +70 °C (-13 °F to 158 °F)
<b>Electrical Connection:</b>	Screw terminals
<b>Housing:</b>	Stainless Steel
<b>Nut:</b>	Stainless Steel

## Ordering Information 623 Series

### Part Number Guide

RoHS Compliant

6	2	3	-	1	X	X	X	-	3	0	4	F
								Voltage				
								1	3VDC			
								2	6VDC			
								3	12VDC			
								4	24VDC			
Color				1	0							
● Red				1	0							
● Green				2	0							
● Yellow				3	0							
● Blue				4	0							

Dialight P/N	Color	Voltage (VDC)	Current (mA)	Typical Intensity (mcd)
623-1101-304F	● Red	3	15	200
623-1201-304F	● Green			250
623-1301-304F	● Yellow			350
623-1401-304F	● Blue			300
623-1102-304F	● Red	6		200
623-1202-304F	● Green			250
623-1302-304F	● Yellow			350
623-1402-304F	● Blue			300
623-1103-304F	● Red	12		200
623-1203-304F	● Green			250
623-1303-304F	● Yellow			350
623-1403-304F	● Blue			300
623-1104-304F	● Red	24		200
623-1204-304F	● Green			250
623-1304-304F	● Yellow			350
623-1404-304F	● Blue			300

Dialight reserves the right to make changes at any time in order to supply the best product possible. The most current version of this document will always be available at: [www.dialightsignalsandcomponents.com](http://www.dialightsignalsandcomponents.com)

**Warranty Statement:** Except for the warranty expressly provided for at: [www.dialight.com/resources/warranties/](http://www.dialight.com/resources/warranties/), Dialight disclaims any and all other warranties, express or implied, including, without limitation, any warranties of merchantability, fitness for a particular purpose, title, and noninfringement.





**Certifications & Ratings**

- UL 1598 (E156890)
- IP66
- NEMA 4X
- RoHS Compliant w/6C exemption
- IK07

**Application**

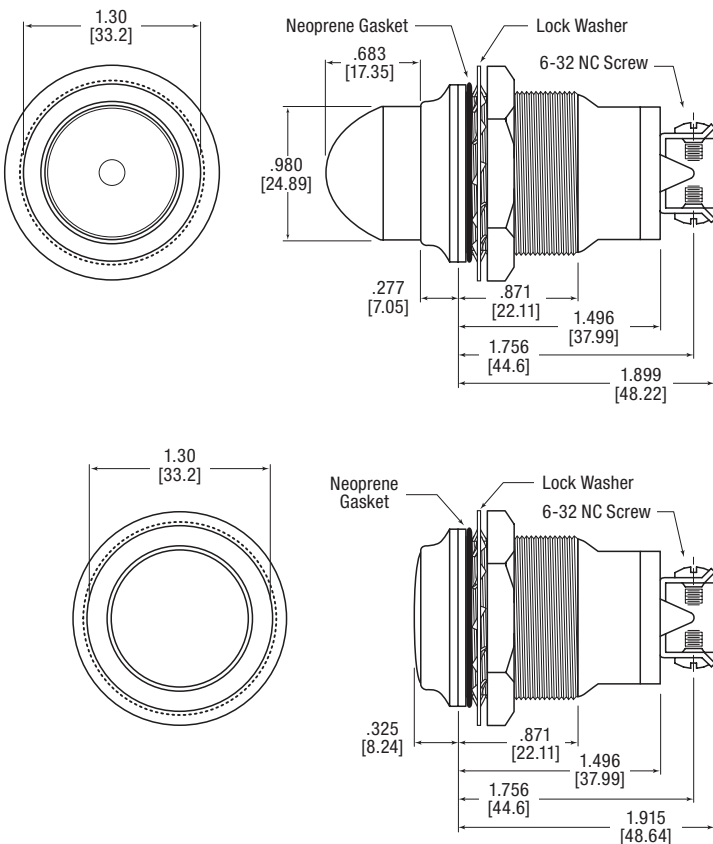
The 630 Series LED Panel Mount Indicators incorporate both InGaN and AlInGaP technologies to offer maximum light output. This is a highly durable package, designed to withstand outdoor applications susceptible to rain, dust and sunlight:

- Instrument panels
- Safety applications
- UL 508 panel applications
- Petrochemical applications
- Environmental Monitoring Equipment specifications
- Pump system controllers
- Mining application
- Oil Refineries
- Agricultural controls
- Power generators

. . . and many more!

**Dimensions**

inches [mm]



**Mechanical information**

- Mounting Hole Size:** 1.18" (30 mm)  
**Max Panel Thickness:** Flat: 0.575" (14.6 mm)  
 Dome: 0.375" (9.53 mm)  
**Mounting Torque:** 40 in-lbs

**Specifications**

- Voltage Options:** 12 & 24 VDC, and 120 VAC (no resistor required)  
**Operating Temp:** -30°C to +85°C (-22°F to +185°F)  
**Storage Temp:** -40°C to +100°C (-40°F to +212°F)  
**Electrical Connection:** 6-32 screw terminals  
**Housing:** Brass—White Nickel Plated  
**Terminals:** Brass — Hot solder dip per Mil-F-14072D, M258, Type II  
**Lens Material:** Transparent Polycarbonate (UL 94-0)  
**Lock Washer:** Phosphor Bronze — Nickel Plated  
**Nut:** Brass—Nickel Plated



## Ordering Information 630 Series

Part Number Guide						RoHS Compliant					
6	3	0	-	X	X	X	-	3	0	4	F
<b>Lens Style</b>				<b>Voltage</b>							
Flat	1			3	12 VDC						
Domed	3			4	24 VDC						
				5	120 VAC						
<b>Color</b>											
○ White	0	0									
● Red	5	0									
● Green	6	0									
● Yellow	7	0									
● Blue	8	0									

Dialight P/N	Color	Voltage	Current (mA)	Typical Intensity (mcd)
--------------	-------	---------	--------------	-------------------------

### Flat Lens

630-1003-304F	○ White	12 VDC	60	61,000
630-1503-304F	● Red		95	22,000
630-1603-304F	● Green		60	41,500
630-1703-304F	● Yellow		95	13,500
630-1803-304F	● Blue		60	13,000
630-1004-304F	○ White	24 VDC	32	61,000
630-1504-304F	● Red		46	22,000
630-1604-304F	● Green		32	41,500
630-1704-304F	● Yellow		95	13,500
630-1804-304F	● Blue		32	13,000
630-1005-304F	○ White	120 VAC	9.5	35,000
630-1505-304F	● Red		10.5	8,000
630-1605-304F	● Green		9.5	29,000
630-1705-304F	● Yellow		95	5,750
630-1805-304F	● Blue		9.5	7,750

### Domed Lens

630-3003-304F	○ White	12 VDC	60	17,000
630-3503-304F	● Red		95	14,000
630-3603-304F	● Green		60	14,000
630-3703-304F	● Yellow		95	4,000
630-3803-304F	● Blue		60	12,000
630-3004-304F	○ White	24 VDC	32	17,000
630-3504-304F	● Red		46	14,000
630-3604-304F	● Green		32	14,000
630-3704-304F	● Yellow		95	4,000
630-3804-304F	● Blue		32	12,000
630-3005-304F	○ White	120 VAC	9.5	10,250
630-3505-304F	● Red		10.5	2,500
630-3605-304F	● Green		9.5	9,500
630-3705-304F	● Yellow		95	1,750
630-3805-304F	● Blue		9.5	3,000



### Certifications & Ratings

- RoHS compliant

### Application

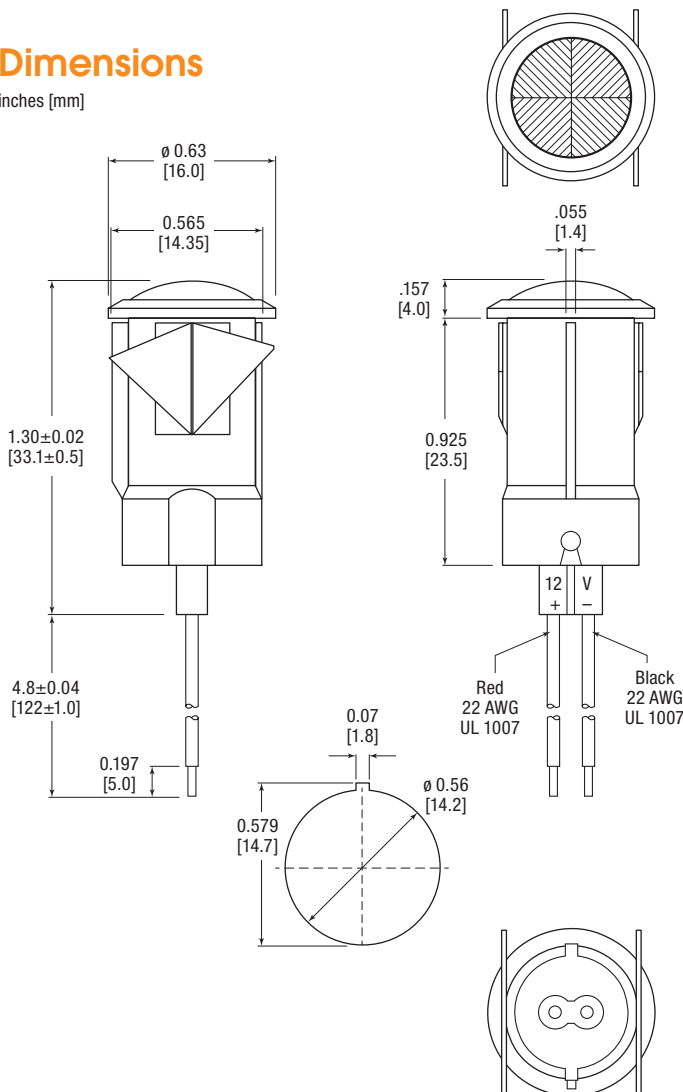
The 653 Series LED Panel Mount Indicators are designed with the unique feature of flexible tabs that allow for mounting to panels of thicknesses ranging from 0.027" (0.7 mm) to 0.138" (3.5 mm). They are ideal for a variety of applications, such as:

- Main power indication
- Remote power indication
- Status indication
- Maintenance and warning indication
- Instrumentation

... and many more!

### Dimensions

inches [mm]



### Mechanical Information

**Mounting Hole Size:** 0.579" (14.7 mm)

**Max Panel Thickness:** 0.138" (3.5 mm)

### Specifications

**Voltage Options:** 12 & 24 V DC (no resistor required)

**Operating temp:** -20 °C to +80 °C (-4 °F to +176 °F)

**Storage Temp:** -20 °C to +80 °C (-4 °F to +176 °F)

**Electrical Connection:** 5" wire leads

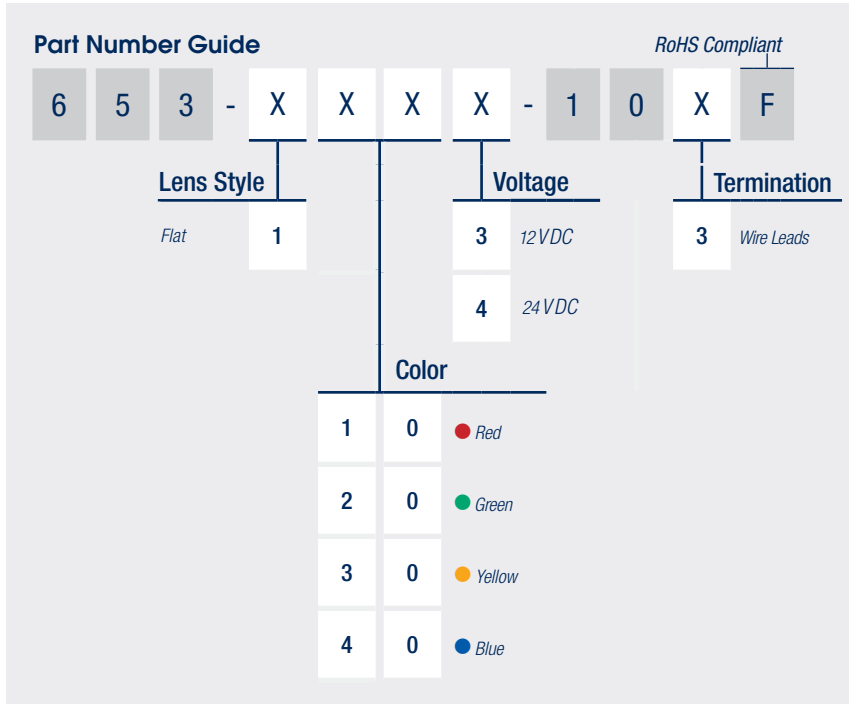
**Housing:** Polycarbonate

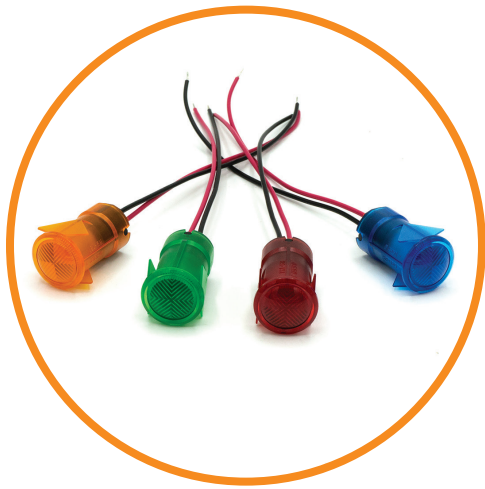
**Wire Leads:** 22 AWG

Dialight P/N	Color	Voltage (V DC)	Current (mA)	Typical Intensity (mcd)
653-1103-103F	Red	12	20	845
653-1203-103F	Green			600
653-1303-103F	Yellow			465
653-1403-103F	Blue			390
653-1104-103F	Red	24	20	845
653-1204-103F	Green			600
653-1304-103F	Yellow			465
653-1404-103F	Blue			390



## Ordering Information 653 Series





### Certifications & Ratings

- RoHS compliant

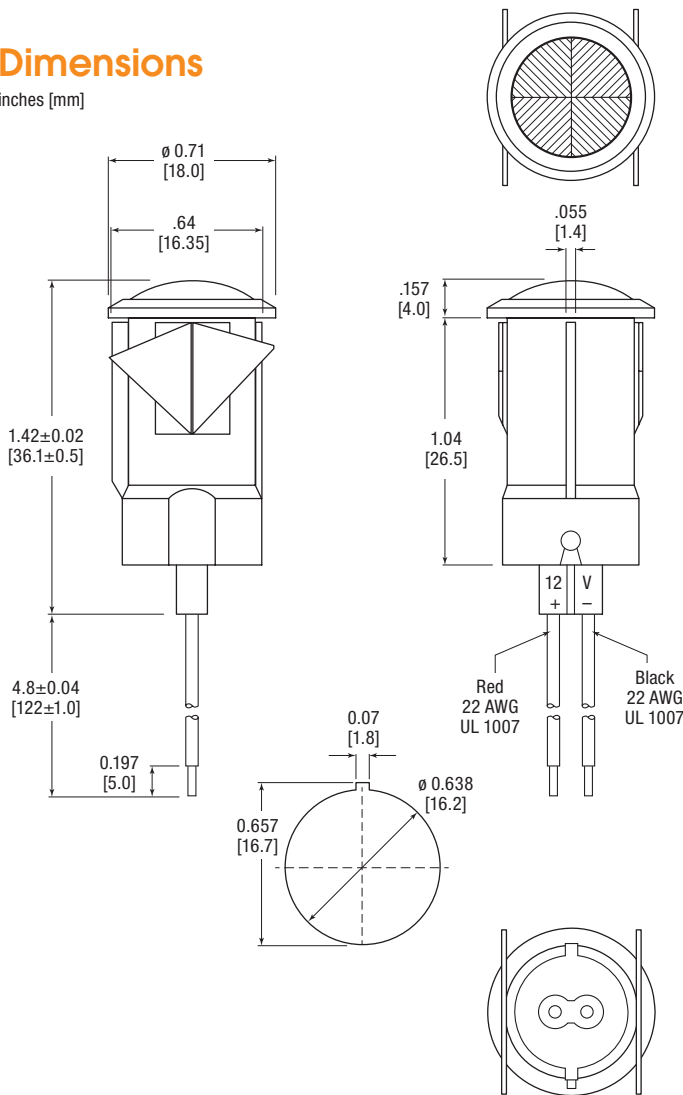
### Application

The 654 Series LED Panel Mount Indicators are designed with the unique feature of flexible tabs that allow for mounting to panels of thicknesses ranging from 0.027" (0.7 mm) to 0.138" (3.5 mm). They are ideal for a variety of applications, such as:

- Main power indication
- Remote power indication
- Status indication
- Maintenance and warning indication
- Instrumentation
- ... and many more!

### Dimensions

inches [mm]



### Mechanical Information

**Mounting Hole Size:** 0.657" (16.7 mm)

**Max Panel Thickness:** 0.138" (3.5 mm)

### Specifications

**Voltage Options:** 12 & 24 V DC (no resistor required)

**Operating temp:** -20°C to +80°C (-4°F to +176°F)

**Storage Temp:** -20°C to +80°C (-4°F to +176°F)

**Electrical Connection:** 5" wire leads

**Housing:** Polycarbonate

**Wire Leads:** 22 AWG

Dialight P/N	Color	Voltage (VDC)	Current (mA)	Typical Intensity (mcd)
654-1103-103F	Red	12	20	845
654-1203-103F	Green			600
654-1303-103F	Yellow			465
654-1403-103F	Blue			390
654-1104-103F	Red	24		845
654-1204-103F	Green			600
654-1304-103F	Yellow			465
654-1404-103F	Blue			390



## Ordering Information 654 Series

Part Number Guide											RoHS Compliant	
6	5	4	-	X	X	X	X	-	1	0	X	F
				<b>Lens Style</b>			<b>Voltage</b>			<b>Termination</b>		
				Flat			3 12VDC			3 Wire Leads		
				1			4 24VDC					
							<b>Color</b>					
				1 0		● Red						
				2 0		● Green						
				3 0		● Yellow						
				4 0		● Blue						



# 1/2" Snap-in Panel Mount Indicators



## Certifications & Ratings

- RoHS compliant

## Application

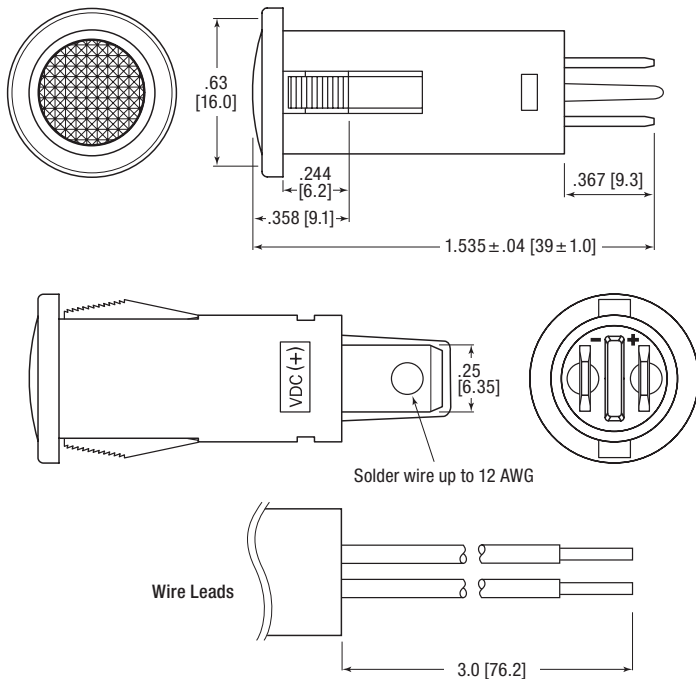
The 655 Series LED Panel Mount Indicators are designed for a variety of applications such as.

- Main power indication
  - Remote power indication
  - Status indication
  - Maintenance and warning indication
  - Instrumentation
- ... and many more!

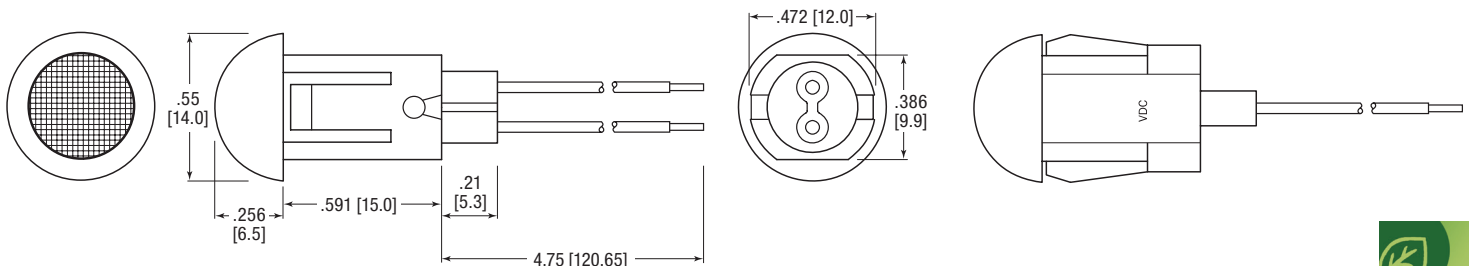
## Dimensions

inches [mm]

### Flat Lens



### Domed Lens



## Mechanical Information

- Mounting Hole Size:** 0.50" (12.7 mm)  
**Max Panel Thickness:** 0.138" (3.5 mm) (Domed Lens);  
 0.216" (5.5 mm) (Flat Lens)

## Specifications

- Voltage Options:** 12 & 24 VDC and 120 & 230 VAC (Flat Lens only), no resistor required
- Operating temp:** -20 °C to +85 °C (-4 °F to +185 °F)
- Storage Temp:** -20 °C to +85 °C (-4 °F to +185 °F)
- Electrical Connection:** 250 Faston quick connect terminals (Flat Lens only) or wire leads
- Housing:** Polycarbonate
- Terminals:** Brass—Nickel Plated (Flat Lens only)
- Wire Leads:** 18 AWG (Flat Lens),  
 26 AWG (Domed Lens)



## Ordering Information 655 Series

Dialight P/N		Color	Voltage	Current (mA)	Typical Intensity (mcd)
Wire Leads	Solder Terminals				

### Flat Lens

Dialight P/N (Wire Leads)	Dialight P/N (Solder Terminals)	Color	Voltage	Current (mA)	Typical Intensity (mcd)
655-1103-103F	655-1103-104F	Red	12 VDC	20	270
655-1203-103F	655-1203-104F	Green			700
655-1303-103F	655-1303-104F	Yellow			200
655-1403-103F	655-1403-104F	Blue			100
655-1104-103F	655-1104-104F	Red	24 VDC	20	270
655-1204-103F	655-1204-104F	Green			700
655-1304-103F	655-1304-104F	Yellow			200
655-1404-103F	655-1404-104F	Blue			100
655-1105-103F	655-1105-104F	Red	120 VAC	5	60
655-1205-103F	655-1205-104F	Green			110
655-1305-103F	655-1305-104F	Yellow			70
655-1405-103F	655-1405-104F	Blue			25
655-1109-103F	655-1109-104F	Red	230 VAC	3	60
655-1209-103F	655-1209-104F	Green			110
655-1309-103F	655-1309-104F	Yellow			70
655-1409-103F	655-1409-104F	Blue			25

### Domed Lens

Dialight P/N (Wire Leads)	Dialight P/N (Solder Terminals)	Color	Voltage	Current (mA)	Typical Intensity (mcd)
655-2103-103F	NA	Red	12 VDC	20	3000
655-2203-103F	NA	Green			2500
655-2303-103F	NA	Yellow			1500
655-2403-103F	NA	Blue			700
655-2104-103F	NA	Red	24 VDC	20	3000
655-2204-103F	NA	Green			2500
655-2304-103F	NA	Yellow			1500
655-2404-103F	NA	Blue			700

### Part Number Guide

Part Number Guide											RoHS Compliant		
6	5	5	-	X	X	X	X	-	1	0	X	F	
				<b>Lens Style</b>					<b>Voltage</b>		<b>Termination</b>		
				Flat		1		3		12VDC		3 Wire Leads	
				Domed		2		4		24VDC		4 Solder Terminals (Flat Lens only)	
								5		120VAC			
								9		230VAC		(Flat Lens only)	
				<b>Color</b>									
				Red		1		0					
				Green		2		0					
				Yellow		3		0					
				Blue		4		0					





## Certifications & Ratings

- UL 508 (E156890) – UL Listed; Terminals – UL recognized
- NEMA 4X
- IP66/67
- RoHS compliant – w/6C exemption

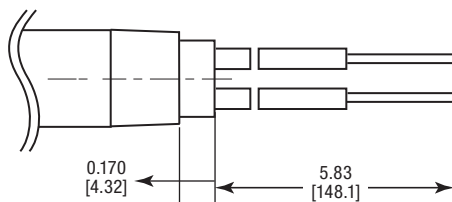
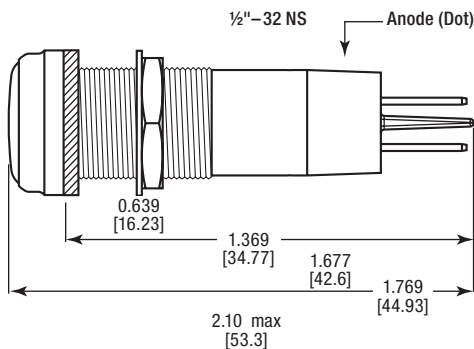
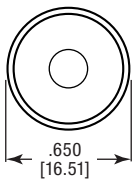
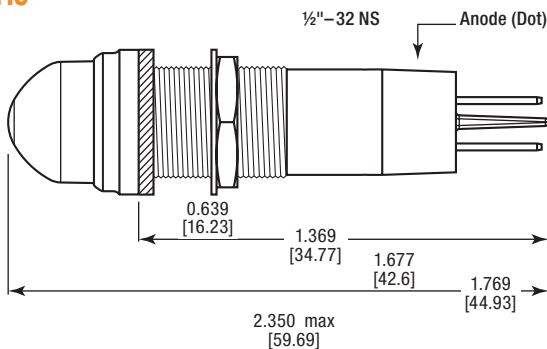
## Application

The 656 Series LED Panel Mount Indicators are designed for a variety of applications such as:

- Safety Applications
- Instrument Panels
- Vending/Gaming
- Display Lighting
- Transportation – rail, bus, airline  
... and many more!

## Dimensions

inches [mm]



## Mechanical information

- Mounting Hole Size:** 0.500" (12.7 mm)  
**Max Panel Thickness:** 0.450" (11.43 mm)  
**Mounting Torque:** 5 in-lbs

## Specifications

- Voltage Options:** 5 to 125VDC and 125, 230VAC (bi-color 5, 12, 24VDC) (no resistor required)
- Operating Temp:** -30 °C to +85 °C (22 °F to +185 °F)
- Storage Temp:** -40 °C to +100 °C (-40 °F to +212 °F)
- Electrical Connection:** 110 Faston quick connect terminals or 6" wire leads
- Housing:** Brass—White or Black Nickel Plated
- Lens Material:** Transparent polycarbonate (UL 94V-0)
- Wire Leads:** 18 AWG
- Lock Washer:** Bronze—White or Black Nickel Plated
- Nut:** Brass—White or Black Nickel Plated

## Ordering Information

### 656 Series

Part Number Guide										RoHS Compliant					
6	5	6	-	X	X	X	X	-	X	0	X	F			
				Lens Style						Voltage		Termination			
				Flat		1						2 5VDC		3 Wires	
				Domed		3						3 12VDC		4 Blades	
				Color								Plating			
				○ White		0 0						6 28VDC*		2 Black	
				● Red		1 0						8 37.5VDC*		3 White	
				● Green		2 0						A 48VDC*†‡			
				● Yellow		3 0						7 72VDC*			
				● Orange		3 5						5 120 VAC/DC*†			
				● Blue		4 0						9 230VAC*†			
				● Red		1 2									
				● Green		1 2									
				● Yellow		3 2									
				● Green		3 2									

\* single color only  
 † white nickel plating only  
 ‡ wire leads only

## 656 Series — Bi-Color

### Flat Lens

Part #—with Wire Leads		Part #—with Blade Terminals		Color	Voltage (VDC)	Typ Current (mA)	Typical Intensity (mcd)
White Nickel Plating	Black Nickel Plating	White Nickel Plating	Black Nickel Plating				
656-1122-303F	656-1122-203F	656-1122-304F	656-1122-204F	● Red ● Green	5	11/8	330/910
656-1322-303F	656-1322-203F	656-1322-304F	656-1322-204F	● Yellow ● Green	5	11/8	320/864
656-1123-303F	656-1123-203F	656-1123-304F	656-1123-204F	● Red ● Green	12	10/9	330/910
656-1323-303F	656-1323-203F	656-1323-304F	656-1323-204F	● Yellow ● Green	12	10/9	320/864
656-1124-303F	656-1124-203F	656-1124-304F	656-1124-204F	● Red ● Green	24	11/10	330/910
656-1324-303F	656-1324-203F	656-1324-304F	656-1324-204F	● Yellow ● Green	24	11/10	320/864

### Domed Lens

Part #—with Wire Leads		Part #—with Blade Terminals		Color	Voltage (VDC)	Typ Current (mA)	Typical Intensity (mcd)
White Nickel Plating	Black Nickel Plating	White Nickel Plating	Black Nickel Plating				
656-3122-303F	656-3122-203F	656-3122-304F	656-3122-204F	● Red ● Green	5	11/8	490/1340
656-3322-303F	656-3322-203F	656-3322-304F	656-3322-204F	● Yellow ● Green	5	11/8	480/430
656-3123-303F	656-3123-203F	656-3123-304F	656-3123-204F	● Red ● Green	12	10/9	490/1340
656-3323-303F	656-3323-203F	656-3323-304F	656-3323-204F	● Yellow ● Green	12	10/9	480/430
656-3124-303F	656-3124-203F	656-3124-304F	656-3124-204F	● Red ● Green	24	11/10	490/1340
656-3324-303F	656-3324-203F	656-3324-304F	656-3324-204F	● Yellow ● Green	24	11/10	480/430

### Flat Lens

## Ordering Information

### 656 Series—Single Color

Part #—with Wire Leads		Part #—with Blade Terminals		Color	Voltage	Typ Current (mA)	Typical Intensity (mcd)
White Nickel Plating	Black Nickel Plating	White Nickel Plating	Black Nickel Plating				
656-1002-303F	656-1002-203F	656-1002-304F	656-1002-204F	White	5 (VDC)	15	1510
656-1102-303F	656-1102-203F	656-1102-304F	656-1102-204F	Red		16	1150
656-1202-303F	656-1202-203F	656-1202-304F	656-1202-204F	Green		15	1600
656-1302-303F	656-1302-203F	656-1302-304F	656-1302-204F	Yellow		16	990
656-1352-303F	656-1352-203F	656-1352-304F	656-1352-204F	Orange		16	1800
656-1402-303F	656-1402-203F	656-1402-304F	656-1402-204F	Blue		15	237
656-1003-303F	656-1003-203F	656-1003-304F	656-1003-204F	White	12 (VDC)	18	1310
656-1103-303F	656-1103-203F	656-1103-304F	656-1103-204F	Red		18	1100
656-1203-303F	656-1203-203F	656-1203-304F	656-1203-204F	Green		16	1140
656-1303-303F	656-1303-203F	656-1303-304F	656-1303-204F	Yellow		18	880
656-1353-303F	656-1353-203F	656-1353-304F	656-1353-204F	Orange		18	1800
656-1403-303F	656-1403-203F	656-1403-304F	656-1403-204F	Blue		16	290
656-1004-303F	656-1004-203F	656-1004-304F	656-1004-204F	White	24 (VDC)	20	1310
656-1104-303F	656-1104-203F	656-1104-304F	656-1104-204F	Red			1100
656-1204-303F	656-1204-203F	656-1204-304F	656-1204-204F	Green			1140
656-1304-303F	656-1304-203F	656-1304-304F	656-1304-204F	Yellow			880
656-1354-303F	656-1354-203F	656-1354-304F	656-1354-204F	Orange			1800
656-1404-303F	656-1404-203F	656-1404-304F	656-1404-204F	Blue			290
656-1006-303F	656-1006-203F	656-1006-304F	656-1006-204F	White	28 (VDC)	19	1310
656-1106-303F	656-1106-203F	656-1106-304F	656-1106-204F	Red		19	1100
656-1206-303F	656-1206-203F	656-1206-304F	656-1206-204F	Green		18	1140
656-1306-303F	656-1306-203F	656-1306-304F	656-1306-204F	Yellow		19	880
656-1356-303F	656-1356-203F	656-1356-304F	656-1356-204F	Orange		19	1800
656-1406-303F	656-1406-203F	656-1406-304F	656-1406-204F	Blue		18	290
656-1008-303F	656-1008-203F	656-1008-304F	656-1008-204F	White	37.5 (VDC)	8.5	400
656-1108-303F	656-1108-203F	656-1108-304F	656-1108-204F	Red			230
656-1208-303F	656-1208-203F	656-1208-304F	656-1208-204F	Green			450
656-1308-303F	656-1308-203F	656-1308-304F	656-1308-204F	Yellow			190
656-1358-303F	656-1358-203F	656-1358-304F	656-1358-204F	Orange			835
656-1408-303F	656-1408-203F	656-1408-304F	656-1408-204F	Blue			100
656-110A-303F	—	656-110A-304F	—	Red	48 (VDC)	10	230
656-120A-303F	—	656-120A-304F	—	Green			450
656-130A-303F	—	656-130A-304F	—	Yellow			190
656-1007-303F	656-1007-203F	656-1007-304F	656-1007-204F	White	72 (VDC)	8.5	400
656-1107-303F	656-1107-203F	656-1107-304F	656-1107-204F	Red			230
656-1207-303F	656-1207-203F	656-1207-304F	656-1207-204F	Green			450
656-1307-303F	656-1307-203F	656-1307-304F	656-1307-204F	Yellow			190
656-1357-303F	656-1357-203F	656-1357-304F	656-1357-204F	Orange			835
656-1407-303F	656-1407-203F	656-1407-304F	656-1407-204F	Blue			100
656-1005-303F	—	656-1005-304F	—	White	120 (VAC/VDC)	5	400
656-1105-303F	—	656-1105-304F	—	Red			230
656-1205-303F	—	656-1205-304F	—	Green			450
656-1305-303F	—	656-1305-304F	—	Yellow			190
656-1355-303F	—	656-1355-304F	—	Orange			260
656-1405-303F	—	656-1405-304F	—	Blue			100
656-1009-303F	—	656-1009-304F	—	White	230 (VAC)	3	400
656-1109-303F	—	656-1109-304F	—	Red			230
656-1209-303F	—	656-1209-304F	—	Green			450
656-1309-303F	—	656-1309-304F	—	Yellow			190
656-1359-303F	—	656-1359-304F	—	Orange			260
656-1409-303F	—	656-1409-304F	—	Blue			100

### Domed Lens

Part #—with Wire Leads		Part #—with Blade Terminals		Color	Voltage	Typ Current (mA)	Typical Intensity (mcd)
White Nickel Plating	Black Nickel Plating	White Nickel Plating	Black Nickel Plating				
656-3002-303F	656-3002-203F	656-3002-304F	656-3002-204F	White	5 (VDC)	15	3080
656-3102-303F	656-3102-203F	656-3102-304F	656-3102-204F	Red		16	2200
656-3202-303F	656-3202-203F	656-3202-304F	656-3202-204F	Green		15	2880
656-3302-303F	656-3302-203F	656-3302-304F	656-3302-204F	Yellow		16	1960
656-3352-303F	656-3352-203F	656-3352-304F	656-3352-204F	Orange		16	4400
656-3402-303F	656-3402-203F	656-3402-304F	656-3402-204F	Blue		15	600
656-3003-303F	656-3003-203F	656-3003-304F	656-3003-204F	White	12 (VDC)	18	2340
656-3103-303F	656-3103-203F	656-3103-304F	656-3103-204F	Red		18	2000
656-3203-303F	656-3203-203F	656-3203-304F	656-3203-204F	Green		16	2110
656-3303-303F	656-3303-203F	656-3304-304F	656-3303-204F	Yellow		18	1080
656-3353-303F	656-3353-203F	656-3353-304F	656-3353-204F	Orange		18	4400
656-3403-303F	656-3403-203F	656-3403-304F	656-3403-204F	Blue		16	640
656-3004-303F	656-3004-203F	656-3004-304F	656-3004-204F	White	24 (VDC)	20	2340
656-3104-303F	656-3104-203F	656-3104-304F	656-3104-204F	Red			2000
656-3204-303F	656-3204-203F	656-3204-304F	656-3204-204F	Green			2110
656-3304-303F	656-3304-203F	656-3304-304F	656-3304-204F	Yellow			1080
656-3354-303F	656-3354-203F	656-3354-304F	656-3354-204F	Orange			4400
656-3404-303F	656-3404-203F	656-3404-304F	656-3404-204F	Blue			640
656-3006-303F	656-3006-203F	656-3006-304F	656-3006-204F	White	28 (VDC)	19	2340
656-3106-303F	656-3106-203F	656-3106-304F	656-3106-204F	Red		19	2000
656-3206-303F	656-3206-203F	656-3206-304F	656-3206-204F	Green		18	2110
656-3306-303F	656-3306-203F	656-3306-304F	656-3306-204F	Yellow		19	1080
656-3356-303F	656-3356-203F	656-3356-304F	656-3356-204F	Orange		19	4400
656-3406-303F	656-3406-203F	656-3406-304F	656-3406-204F	Blue		18	640
656-3008-303F	656-3008-203F	656-3008-304F	656-3008-204F	White	37.5 (VDC)		660
656-3108-303F	656-3108-203F	656-3108-304F	656-3108-204F	Red			410
656-3208-303F	656-3208-203F	656-3208-304F	656-3208-204F	Green			800
656-3308-303F	656-3308-203F	656-3308-304F	656-3308-204F	Yellow			390
656-3358-303F	656-3358-203F	656-3358-304F	656-3358-204F	Orange			2000
656-3408-303F	656-3408-203F	656-3408-304F	656-3408-204F	Blue			220
656-310A-303F	—	656-310A-304F	—	Red	48 (VDC)	10	410
656-320A-303F	—	656-320A-304F	—	Green			800
656-330A-303F	—	656-330A-304F	—	Yellow			390
656-3007-303F	656-3007-203F	656-3007-304F	656-3007-204F	White	72 (VDC)		660
656-3107-303F	656-3107-203F	656-3107-304F	656-3107-204F	Red			410
656-3207-303F	656-3207-203F	656-3207-304F	656-3207-204F	Green			800
656-3307-303F	656-3307-203F	656-3307-304F	656-3307-204F	Yellow			390
656-3357-303F	656-3357-203F	656-3357-304F	656-3357-204F	Orange			2000
656-3407-303F	656-3407-203F	656-3407-304F	656-3407-204F	Blue			220
656-3005-303F	—	656-3005-304F	—	White	120 (VAC/VDC)	5	660
656-3105-303F	—	656-3105-304F	—	Red			410
656-3205-303F	—	656-3205-304F	—	Green			800
656-3305-303F	—	656-3305-304F	—	Yellow			390
656-3355-303F	—	656-3355-304F	—	Orange			610
656-3405-303F	—	656-3405-304F	—	Blue			220
656-3009-303F	—	656-3009-304F	—	White	230 (VAC)	3	660
656-3109-303F	—	656-3109-304F	—	Red			410
656-3209-303F	—	656-3209-304F	—	Green			800
656-3309-303F	—	656-3309-304F	—	Yellow			390
656-3359-303F	—	656-3359-304F	—	Orange			610
656-3409-303F	—	656-3409-304F	—	Blue			220

Dialight reserves the right to make changes at any time in order to supply the best product possible. The most current version of this document will always be available at: [www.dialightsignalsandcomponents.com](http://www.dialightsignalsandcomponents.com)

**Warranty Statement:** Except for the warranty expressly provided for [herein/above/below], Dialight disclaims any and all other warranties, express or implied, including, without limitation, any warranties of merchantability, fitness for a particular purpose, title, and noninfringement.



## Certifications & Ratings

- RoHS compliant
- NEMA 4X
- IP67

## Application

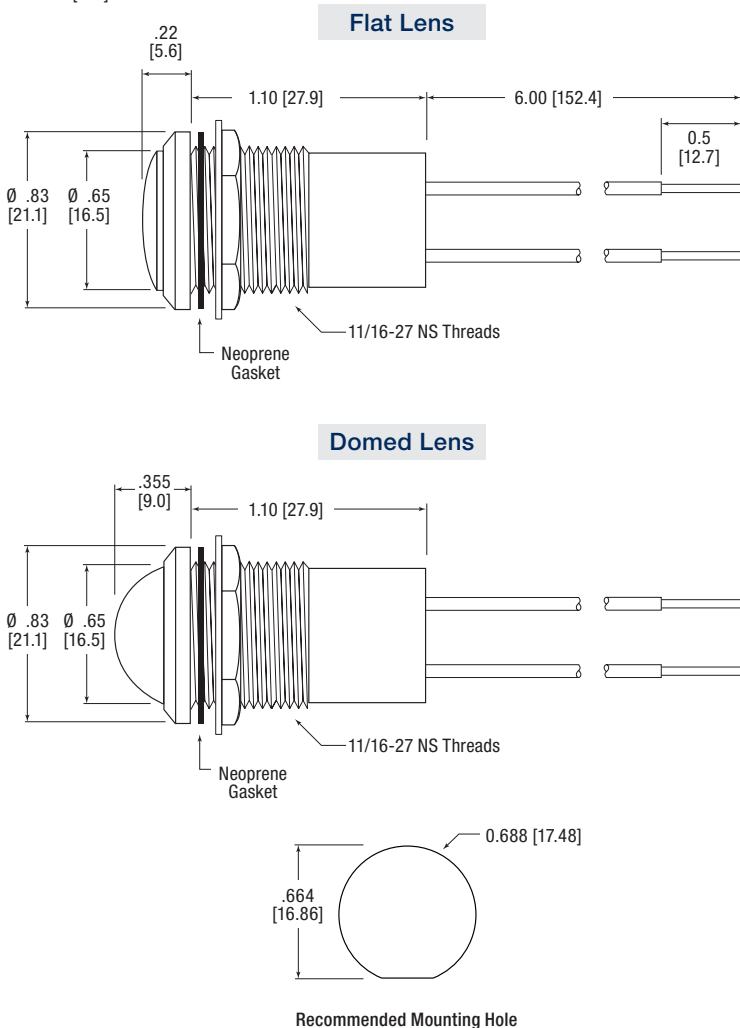
The 657 Series LED Panel Mount Indicators are designed with a highly durable watertight housing. These indicators are designed for a variety of applications such as:

- Electrical control panels
- Wastewater treatment controls
- Buses and transit vehicles dashboards
- Agricultural and construction equipment dashboards
- Aircraft and military vehicles dashboards
- Status Indication on industrial equipment

... and many more!

## Dimensions

inches [mm]



## Mechanical Information

**Mounting Hole Size:** 0.687" (17.46 mm)

**Max Panel Thickness:** 0.350" (8.89 mm)

**Mounting Torque:** 15 in-lbs

## Specifications

**Voltage Options:** 5, 12, & 24 VDC  
(no resistor required)

**Operating Temp:** -35 °C to +65 °C  
(-31 °F to +149 °F)

**Storage Temp:** -40 °C to +100 °C  
(-40 °F to +212 °F)

**Electrical Connection:** 18 AWG anti-capillary wire

**Housing:** Polycarbonate (UL 94V-0)

**Lens Material:** Polycarbonate (UL 94V-0)

**Wire Leads:** 6"

**Lock Washer:** White Nickel Plated Bronze

**Nut:** White Nickel Plated Brass

## Ordering Information 657 Series

### Flat

Part Number			LED Color	Curr. (mA)	Typical Intensity (mcd)
5 VDC	12 VDC	24 VDC			

#### White Diffused Lens

5 VDC	12 VDC	24 VDC	LED Color	Curr. (mA)	Typical Intensity (mcd)
657-1002-303F	657-1003-303F	657-1004-303F	○ White	20	150
657-1502-303F	657-1503-303F	657-1504-303F	● Red		150
657-1602-303F	657-1603-303F	657-1604-303F	● Green		160
657-1702-303F	657-1703-303F	657-1704-303F	● Yellow		100
657-1802-303F	657-1803-303F	657-1804-303F	● Blue		75
657-1902-303F	657-1903-303F	657-1904-303F	● Orange		150

#### Tinted Diffused Lens

5 VDC	12 VDC	24 VDC	LED Color	Curr. (mA)	Typical Intensity (mcd)
657-1502-103F	657-1503-103F	657-1504-103F	● Red	20	650
657-1602-103F	657-1603-103F	657-1604-103F	● Green		1150
657-1702-103F	657-1703-103F	657-1704-103F	● Yellow		550
657-1802-103F	657-1803-103F	657-1804-103F	● Blue		200
657-1902-103F	657-1903-103F	657-1904-103F	● Orange		700

### Domed

Part Number			LED Color	Curr. (mA)	Typical Intensity (mcd)
5 VDC	12 VDC	24 VDC			

#### White Diffused Lens

5 VDC	12 VDC	24 VDC	LED Color	Curr. (mA)	Typical Intensity (mcd)
657-2002-303F	657-2003-303F	657-2004-303F	○ White	20	85
657-2502-303F	657-2503-303F	657-2504-303F	● Red		115
657-2602-303F	657-2603-303F	657-2604-303F	● Green		150
657-2702-303F	657-2703-303F	657-2704-303F	● Yellow		115
657-2802-303F	657-2803-303F	657-2804-303F	● Blue		70
657-2902-303F	657-2903-303F	657-2904-303F	● Orange		100

#### Tinted Diffused Lens

5 VDC	12 VDC	24 VDC	LED Color	Curr. (mA)	Typical Intensity (mcd)
657-2502-103F	657-2503-103F	657-2504-103F	● Red	20	900
657-2602-103F	657-2603-103F	657-2604-103F	● Green		1600
657-2702-103F	657-2703-103F	657-2704-103F	● Yellow		1250
657-2802-103F	657-2803-103F	657-2804-103F	● Blue		250
657-2902-103F	657-2903-103F	657-2904-103F	● Orange		1500

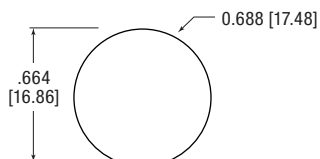
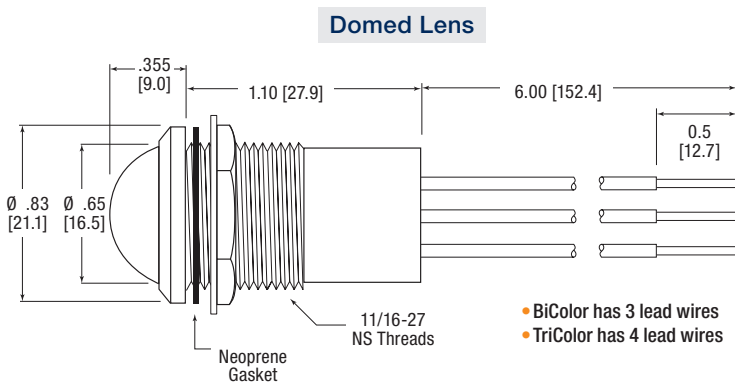
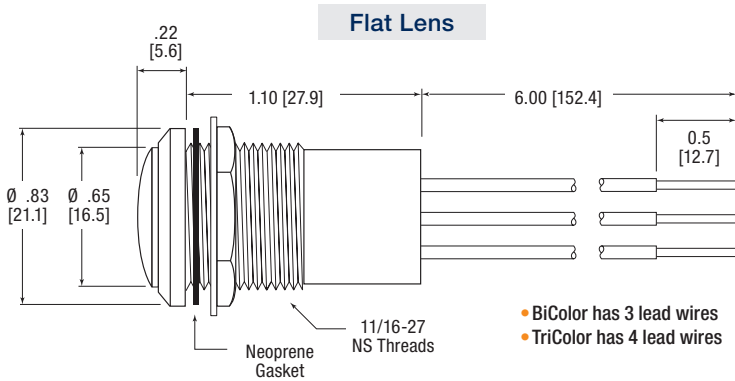
Part Number Guide											RoHS Compliant
6	5	7	-	X	X	X	-	X	0	3	F
Lens Style			LED Color		Voltage		Lens Color				
Flat	1	○ White	0	0	2	5VDC	1	Tinted Diffused*			
Domed	2	● Red	5	0	3	12VDC	3	White Diffused			
		● Green	6	0	4	24VDC		* will be same as LED color			
		● Yellow	7	0							
		● Blue	8	0							
		● Orange	9	0							

# 657 Bi- and Tri-Color Series Watertight Series Panel Mount Indicators



## Dimensions

inches [mm]



Recommended Mounting Hole

## Certifications & Ratings

- RoHS compliant
- NEMA 4X
- IP67

## Application

The 657 Series LED Panel Mount Indicators are designed with a highly durable watertight housing. These indicators are designed for a variety of applications such as:

- Electrical control panels
- Wastewater treatment controls
- Buses and transit vehicles dashboards
- Agricultural and construction equipment dashboards
- Aircraft and military vehicles dashboards
- Status Indication on industrial equipment

... and many more!

## Mechanical Information

- Mounting Hole Size:** 0.687" (17.46 mm)
- Max Panel Thickness:** 0.350" (8.89 mm)
- Mounting Torque:** 15 in-lbs

## Specifications

- Voltage Options:** 10-30 VDC (no resistor required)
- Operating Temp:** -40 °C to +85 °C (-40 °F to +185 °F)
- Storage Temp:** -40 °C to +100 °C (-40 °F to +212 °F)

## Electrical

- Connection:** 18 AWG anti-capillary wire, Common Cathode
- Housing:** Polycarbonate (UL 94V-0)
- Lens Material:** Polycarbonate (UL 94V-0)
- Wire Leads:** 6" — Wire color is the same color as LED color; Black wire is common ground
- Lock Washer:** White Nickel Plated Bronze
- Nut:** White Nickel Plated Brass



## Ordering Information 657 Series

### Flat

Part Number	LED Color	Lens Color	Typ. IF (mA)	Typ. VF (VDC)	Typical Intensity (mcd)
657-1415-303F	Red	White Diffused	20	10-30	270
	Green				515
657-1425-303F	Red				270
	Blue				90
657-1435-303F	Green				515
	Yellow				310
657-1455-303F	Red				270
	Yellow				310
657-1465-303F	Green				515
	Blue				90
657-1485-303F	Red				270
	Green				515
	Blue	90			
657-1495-303F	Red	270			
	Green	515			
	Yellow	310			

### Domed

Part Number	LED Color	Lens Color	Typ. IF (mA)	Typ. VF (VDC)	Typical Intensity (mcd)
657-2415-303F	Red	White Diffused	20	10-30	255
	Green				500
657-2425-303F	Red				255
	Blue				90
657-2435-303F	Green				500
	Yellow				260
657-2455-303F	Red				255
	Yellow				260
657-2465-303F	Green				500
	Blue				90
657-2485-303F	Red				255
	Green				500
	Blue	90			
657-2495-303F	Red	255			
	Green	500			
	Yellow	260			

### Part Number Guide

Part Number Guide										RoHS Compliant	
6	5	7	-	X	X	X	-	3	0	3	F
Lens Style				LED Color		Voltage		Lens Color			
Flat	1	Red	Green	4	1	5	10-30 VDC	3	White Diffused		
Domed	2	Red	Green	4	2	5	10-30 VDC	3	White Diffused		
		Blue	Green	4	3						
		Yellow	Green	4	5						
		Red	Green	4	6						
		Yellow	Green	4	8						
		Blue	Green	4	9						
		Red	Green	4							
		Green	Green	4							
		Yellow	Green	4							



## Watertight Right Angle Panel Mount Indicators



### Certifications & Ratings

- RoHS compliant
- NEMA 4X
- IP67

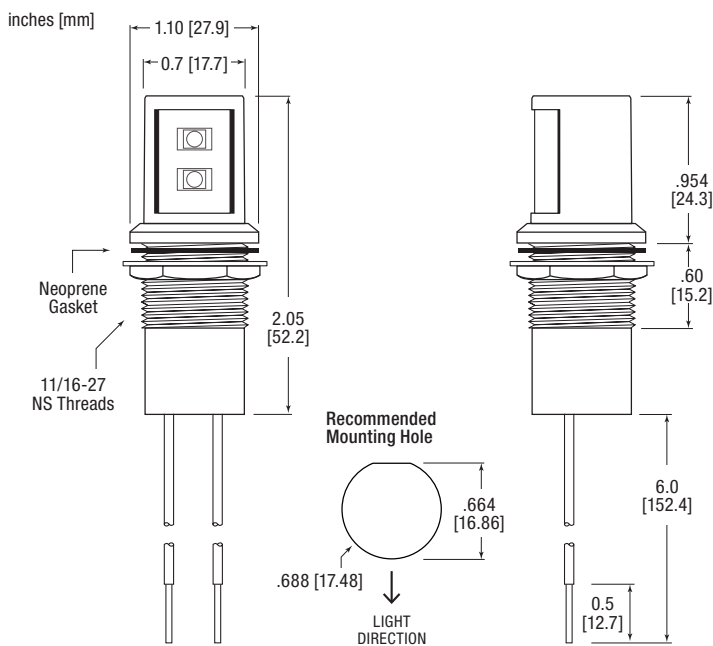
### Application

The 657 Series LED Panel Mount Indicators are designed with a highly durable watertight housing. These indicators are designed for a variety of applications such as:

- Instrument Panels
- Gauge
- Dash Boards
- Storage Compartments
- Control Panels

... and many more!

### Dimensions



### Mechanical Information

**Mounting Hole Size:** 0.687" (17.46 mm)

**Max Panel Thickness:** 0.350" (8.89 mm)

**Mounting Torque:** 15 in-lbs

### Specifications

**Voltage Options:** 12–32 VDC (no resistor required)

**Operating Temp:** -35 °C to +65 °C (-31 °F to +149 °F)

**Storage Temp:** -40 °C to +100 °C (-40 °F to +212 °F)

### Electrical

**Connection:** 18 AWG anti-capillary wire

**Housing:** Polycarbonate (UL 94V-0)

**Lens Material:** Transparent polycarbonate (UL 94V-0)

**Wire Leads:** 6"

**Lock Washer:** White Nickel Plated Bronze

**Nut:** White Nickel Plated Brass

### Ordering Information 657 Series

Part Number	Color	Voltage (V DC)	Current (mA)	Intensity Typ. (mcd)
657-3009-213F	○ Cool White	12–32	24	2700
657-3009-804F	● Red			1850
657-3009-803F	● Green			2600
657-3009-808F	● Orange			3500
657-3009-806F	● Blue			600



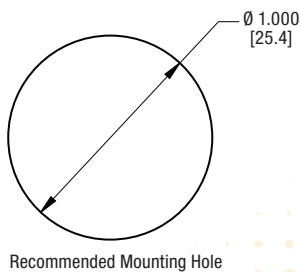
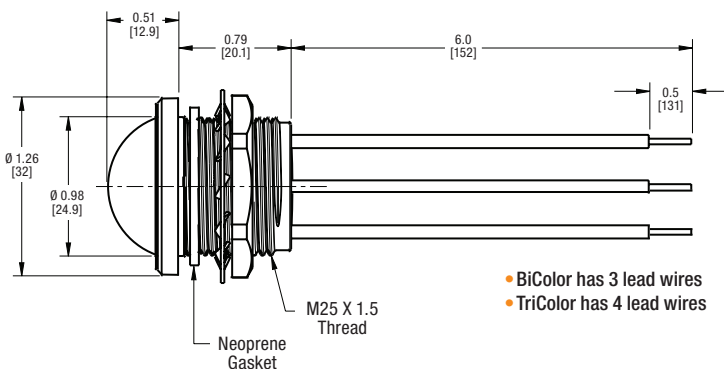
# 658 Bi- and Tri-Color Series Watertight Series Panel Mount Indicators



## Dimensions

inches [mm]

### Domed Lens



## Certifications & Ratings

- RoHS compliant
- NEMA 4X
- IP67

## Application

The 658 Series LED Panel Mount Indicators are designed with a highly durable watertight housing. These indicators are designed for a variety of applications such as:

- Electrical control panels
- Wastewater treatment controls
- Buses and transit vehicles dashboards
- Agricultural and construction equipment dashboards
- Aircraft and military vehicles dashboards
- Status Indication on industrial equipment

... and many more!

## Mechanical Information

**Mounting Hole Size:** 1.000" (25.40 mm)

**Max Panel Thickness:** 0.350" (8.89 mm)

**Mounting Torque:** 15 in-lbs

## Specifications

**Voltage Options:** 12-30 VDC (no resistor required)

**Operating Temp:** -40 °C to +85 °C  
(-40 °F to +185 °F)

**Storage Temp:** -40 °C to +100 °C  
(-40 °F to +212 °F)

## Electrical

**Connection:** 18 AWG anti-capillary wire  
Common Cathode

**Housing:** Polycarbonate (UL 94V-0)

**Lens Material:** Polycarbonate (UL 94V-0)

**Wire Leads:** 6" — Wire color is the same color as LED color; Black wire is common ground

**Lock Washer:** White Nickel Plated Bronze

**Nut:** White Nickel Plated Brass

## Ordering Information 658 Series

**Part Number Guide** RoHS Compliant

6	5	8	-	X	X	X	5	-	3	0	3	F
<b>Lens Style</b>				<b>LED Color</b>		<b>Voltage</b>		<b>Lens Color</b>				
Domed 2				<ul style="list-style-type: none"> <li>● Red</li> <li>● Green</li> <li>● Red</li> <li>● Blue</li> <li>● Green</li> <li>● Yellow</li> <li>● Red</li> <li>● Yellow</li> <li>● Green</li> <li>● Blue</li> <li>● Red</li> <li>● Green</li> <li>● Blue</li> <li>● Red</li> <li>● Green</li> <li>● Yellow</li> </ul>	<ul style="list-style-type: none"> <li>4</li> <li>4</li> <li>4</li> <li>4</li> <li>4</li> <li>4</li> <li>4</li> <li>4</li> <li>4</li> <li>4</li> <li>4</li> <li>4</li> <li>4</li> <li>4</li> <li>4</li> <li>4</li> </ul>	<ul style="list-style-type: none"> <li>1</li> <li>2</li> <li>3</li> <li>5</li> <li>6</li> <li>8</li> <li>9</li> </ul>	5	12-30 VDC	3	White Diffused		

### Domed

Part Number	LED Color	Lens Color	Typ. IF (mA)	Typ. VF (VDC)	Typical Intensity (mcd)
658-2415-303F	● Red	White Diffused	20	12-30	1000
	● Green				2100
658-2425-303F	● Red				1000
	● Blue				400
658-2435-303F	● Green				2100
	● Yellow				1000
658-2455-303F	● Red				1000
	● Yellow				1000
658-2465-303F	● Green				2100
	● Blue				400
658-2485-303F	● Red				1000
	● Green				2100
	● Blue				400
658-2495-303F	● Red				1000
	● Green	2100			
	● Yellow	1000			



### Certifications & Ratings

- RoHS compliant

### Application

The 675 Series LED Panel Mount Indicators are designed for a variety of applications such as:

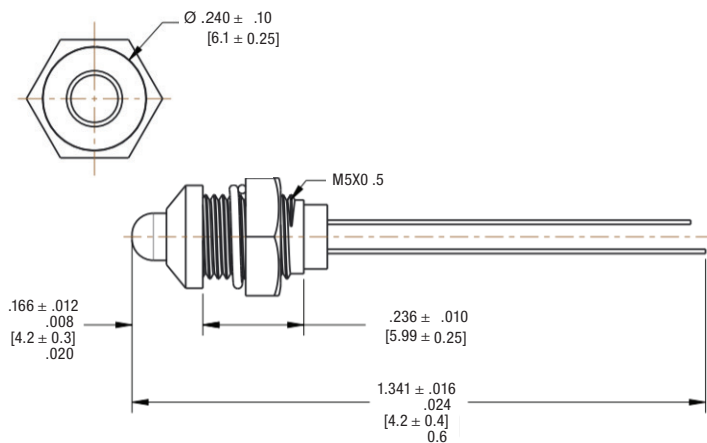
- Main power indication
- Remote power indication
- Status indication
- Maintenance and warning indication
- Instrumentation

... and many more!

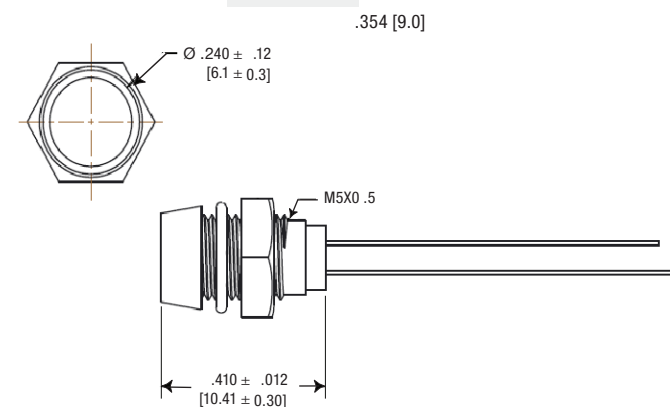
### Dimensions

inches [mm]

#### Protruding



#### Recessed



### Mechanical Information

- Mounting Hole Size:** 0.205" (5.2 mm)
- Max Panel Thickness:** 0.138" (3.5 mm)
- Mounting Torque:** 0.362 lbs/ft (5 kg/cm)

### Specifications

- Voltage Options:** 2 (red, orange) and 3.3 (green, blue, white) VDC (resistor required on both voltages)
- Operating temp:** -30 °C to +85 °C (-22 °F to +185 °F)
- Storage Temp:** -40 °C to +100 °C (-40 °F to +212 °F)
- Electrical Connection:** Through hole leads
- Housing:** Brass—Chrome plated
- Terminals:** Copper—Nickel Plated
- Lock washer:** Iron—Nickel Plated
- Nut:** Brass—Nickel Plated

## Ordering Information 675 Series

Part Number Guide		RoHS Compliant										
6	7	5	-	X	X	1	1	-	1	1	0	F
LED Position				Color								
<i>Protruding</i>	1	1		● Red								
<i>Recessed</i>	2	2		● Green								
		3		● Orange								
		4		● Blue								
		5		○ White								

Part Number	Color	Voltage (V DC)	Current (mA)	Typical Intensity (mcd)
-------------	-------	----------------	--------------	-------------------------

### Protruding

675-1111-110F	● Red	2	20	9110
675-1211-110F	● Green	3.3		11380
675-1311-110F	● Orange	2		9110
675-1411-110F	● Blue	3.3		2810
675-1511-110F	○ White	3.3		5100

### Recessed

675-2111-110F	● Red	2	20	5650
675-2211-110F	● Green	3.3		11520
675-2311-110F	● Orange	2		7810
675-2411-110F	● Blue	3.3		3810
675-2511-110F	○ White	3.3		6220





### Certifications & Ratings

- RoHS compliant

### Application

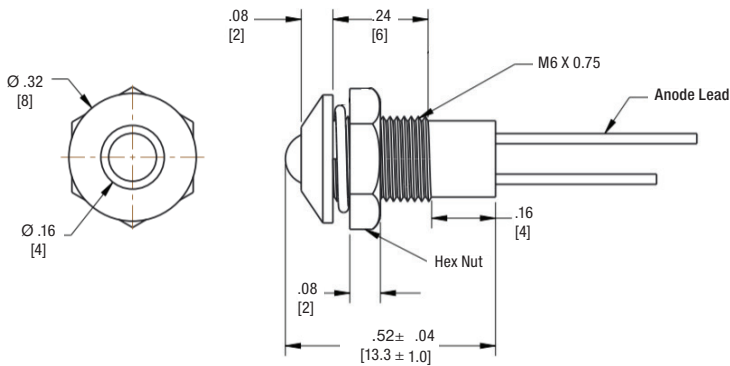
The 676 Series LED Panel Mount Indicators are designed for a variety of applications such as:

- Main power indication
  - Remote power indication
  - Status indication
  - Maintenance and warning indication
  - Instrumentation
- ... and many more!

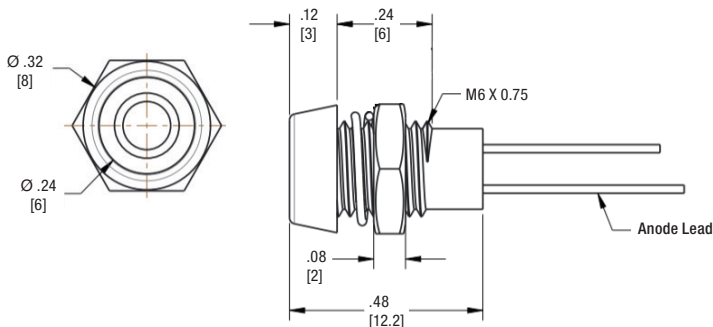
### Dimensions

inches [mm]

#### Protruding



#### Recessed



### Mechanical Information

- Mounting Hole Size:** 0.244" (6.2mm)
- Max Panel Thickness:** 0.138" (3.5mm)
- Mounting Torque:** 0.362 lbs/ft (5 kg/cm)

### Specifications

- Voltage Options:** 2 (red, orange) and 3.3 (green, blue, white) VDC (resistor required on both voltages)
- Operating temp:** -30 °C to +85 °C (-22 °F to +185 °F)
- Storage Temp:** -40 °C to +100 °C (-40 °F to +212 °F)
- Electrical Connection:** Through hole leads
- Housing:** Brass — Chrome Plated
- Terminals:** Copper — Nickel Plated
- Lock washer:** Iron — Nickel Plated
- Nut:** Brass — Nickel Plated



## Ordering Information 676 Series

Part Number	Color	Voltage (VDC)	Current (mA)	Typical Intensity* (mcd)
-------------	-------	---------------	--------------	--------------------------

### Protruding

676-1111-110F	● Red	2	20	7720
676-1211-110F	● Green	3.3		10100
676-1311-110F	● Orange	2		7810
676-1411-110F	● Blue	3.3		2980
676-1511-110F	○ White	3.3		6150

### Recessed

676-2111-110F	● Red	2	20	5650
676-2211-110F	● Green	3.3		11520
676-2311-110F	● Orange	2		7810
676-2411-110F	● Blue	3.3		3810
676-2511-110F	○ White	3.3		6220



## Certifications & Ratings

- RoHS compliant
- NEMA 4X (with gasket)
- IP66 (with gasket)

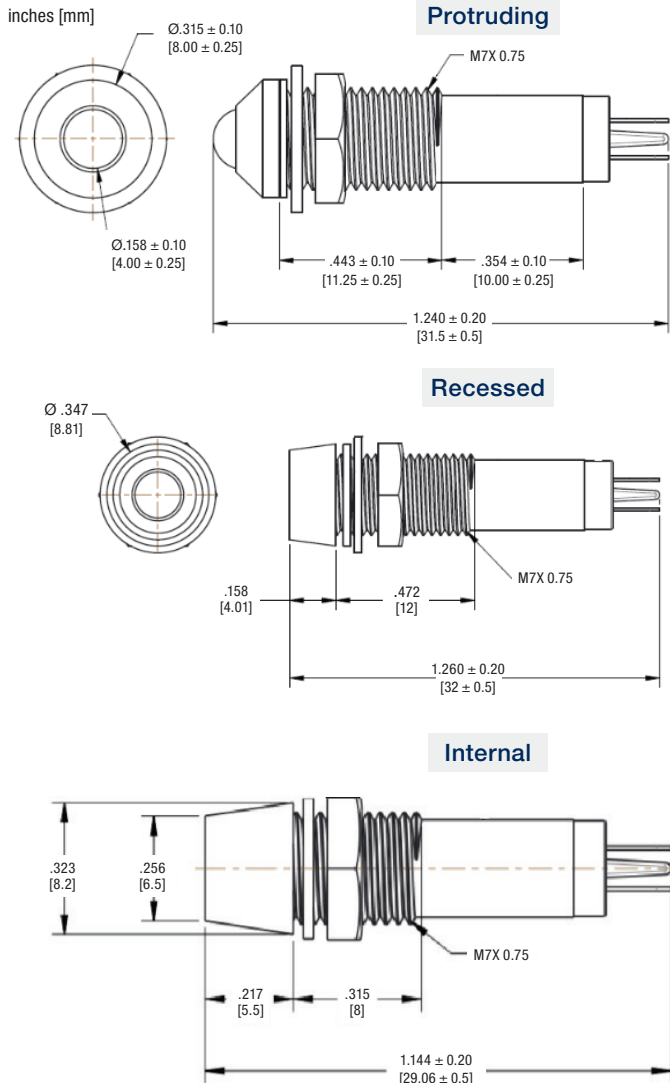
## Application

The 677 Series LED Panel Mount Indicators are designed for a variety of applications such as:

- Main power indication
- Remote power indication
- Status indication
- Maintenance and warning indication
- Instrumentation

... and many more!

## Dimensions



These indicators are un-polarized

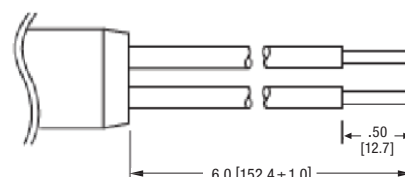
## Mechanical Information

<b>Mounting Hole Size:</b>	0.283" (7.2 mm)
<b>Max Panel Thickness:</b>	See part numbers
<b>Mounting Torque:</b>	0.362 lbs/ft (5 kg/cm) 0.217 lbs/ft or 3 kg/cm (Figure 3)

## Specifications

<b>Voltage Options:</b>	6, 12 & 24 VDC (no resistor required)
<b>Operating Temp:</b>	-20 °C to +75 °C (-4 °F to +167 °F)
<b>Storage Temp:</b>	-40 °C to +100 °C (-40 °F to +212 °F)
<b>Electrical Connection:</b>	Solder terminals and 6" wire leads
<b>Housing:</b>	Protruding position: Brass—Chrome or Black Plated Recessed position: Brass—Chrome Plated Internal position: Polycarbonate
<b>Terminals:</b>	Copper—Nickel Plated
<b>Lock Washer:</b>	Iron—Nickel Plated
<b>Nut:</b>	Brass—Nickel Plated

6" Wire Leads





**Protruding Lens**

Chrome Plated Brass Housing		Black Plated Brass Housing		Color	Voltage (VDC)	Current (mA)	Intensity Typ. (mcd)	Panel Thickness
Terminals	Wire Leads	Terminals	Wire Leads					
677-1112-321F	677-1115-321F	677-1122-321F	677-1125-321F	● Red	6	15	825	0.265" (6.75 mm)
677-1212-322F	677-1215-322F	677-1222-322F	677-1225-322F	● Green			4135	
677-1312-323F	677-1315-323F	677-1322-323F	677-1325-323F	● Orange			560	
677-1412-324F	677-1415-324F	677-1422-324F	677-1425-324F	● Blue			700	
677-1112-331F	677-1115-331F	677-1122-331F	677-1125-331F	● Red	12		825	
677-1212-332F	677-1215-332F	677-1222-332F	677-1225-332F	● Green			4135	
677-1312-333F	677-1315-333F	677-1322-333F	677-1325-333F	● Orange			560	
677-1412-334F	677-1415-334F	677-1422-334F	677-1425-334F	● Blue			700	
677-1112-341F	677-1115-341F	677-1122-341F	677-1125-341F	● Red	24		825	
677-1212-342F	677-1215-342F	677-1222-342F	677-1225-342F	● Green			4135	
677-1312-343F	677-1315-343F	677-1322-343F	677-1325-343F	● Orange			560	
677-1412-344F	677-1415-344F	677-1422-344F	677-1425-344F	● Blue			700	

**Recessed Lens**

Chrome Plated Brass Housing		Color	Voltage (VDC)	Current (mA)	Intensity Typ. (mcd)	Panel Thickness
Terminals	Wire Leads					
677-2112-321F	677-2115-321F	● Red	6	15	925	0.336" (8.50 mm)
677-2212-322F	677-2215-322F	● Green			4135	
677-2312-323F	677-2315-323F	● Orange			600	
677-2412-324F	677-2415-324F	● Blue			730	
677-2112-331F	677-2115-331F	● Red	12		925	
677-2212-332F	677-2215-332F	● Green			4135	
677-2312-333F	677-2315-333F	● Orange			600	
677-2412-334F	677-2415-334F	● Blue			730	
677-2112-341F	677-2115-341F	● Red	24		925	
677-2212-342F	677-2215-342F	● Green			4135	
677-2312-343F	677-2315-343F	● Orange			600	
677-2412-344F	677-2415-344F	● Blue			730	

**Internal Lens - Polycarbonate Housing**

Part Number	Part Number	Color	Voltage (VDC)	Current (mA)	Intensity Typ. (mcd)	Panel Thickness
Terminals	Wire Leads					
677-3132-321F	677-3135-321F	● Red	6	15	1370	0.187" (4.75 mm)
677-3232-322F	677-3235-322F	● Green			5500	
677-3332-323F	677-3335-323F	● Orange			1280	
677-3432-324F	677-3435-324F	● Blue			1200	
677-3132-331F	677-3135-331F	● Red	12		1370	
677-3232-332F	677-3235-332F	● Green			5500	
677-3332-333F	677-3335-333F	● Orange			1280	
677-3432-334F	677-3435-334F	● Blue			1200	
677-3132-341F	677-3135-341F	● Red	24		1370	
677-3232-342F	677-3235-342F	● Green			5500	
677-3332-343F	677-3335-343F	● Orange			1280	
677-3432-344F	677-3435-344F	● Blue			1200	

Dialight reserves the right to make changes at any time in order to supply the best product possible. The most current version of this document will always be available at: [www.dialightsignalsandcomponents.com](http://www.dialightsignalsandcomponents.com)

**Warranty Statement:** Except for the warranty expressly provided for at: [www.dialight.com/resources/warranties/](http://www.dialight.com/resources/warranties/), Dialight disclaims any and all other warranties, express or implied, including, without limitation, any warranties of merchantability, fitness for a particular purpose, title, and noninfringement.



## Certifications & Ratings

- RoHS compliant
- IP66 (protruding type only)

## Application

The 678 Series LED Panel Mount Indicators are designed for a variety of applications such as:

- Main power indication
  - Remote power indication
  - Status indication
  - Maintenance and warning indication
  - Instrumentation
- ... and many more!

## Dimensions

inches [mm]

Figure 1

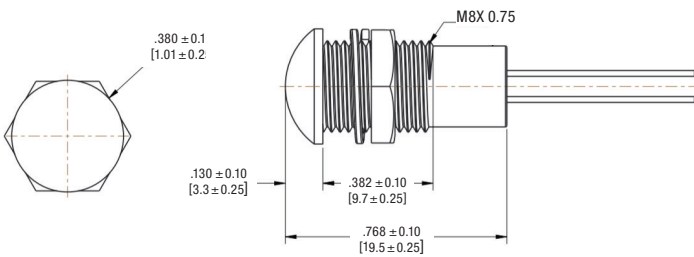


Figure 2

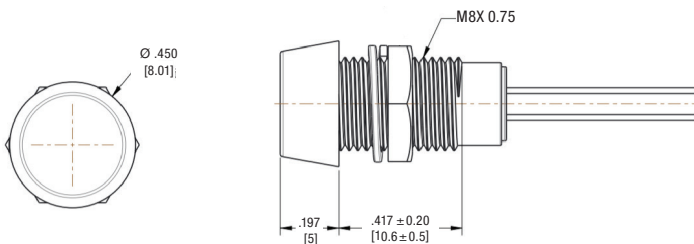
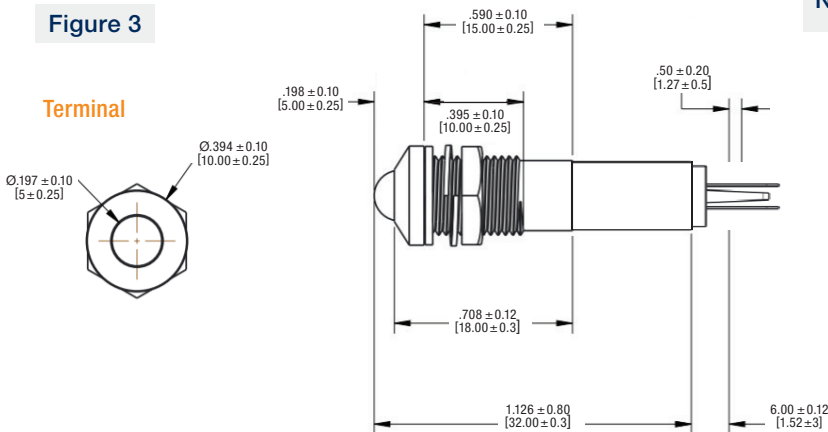
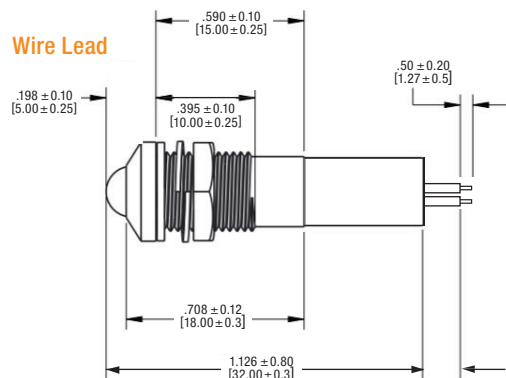


Figure 3



## Terminal

## Wire Lead



*Metal housing indicators are un-polarized*

## Mechanical Information

**Mounting Hole Size:** 0.323" (8.2 mm) [Fig. 1 & 2];  
0.335" (8.5 mm) [Fig. 3]

**Max Panel Thickness:** see part number table

**Mounting Torque:** 0.271 lbs/ft (3 kg/cm) [Fig. 1 & 2]  
0.362 lbs/ft (5 kg/cm) torque [Fig. 3]

## Specifications

**Operating Voltage:** 2 & 3.3 VDC [Fig. 1 & 2]; 6, 12 & 24 VDC [Fig. 3] (no resistor required)

**Operating Temp:** -20 °C to +75 °C (-4°F to 167°F)

**Storage Temp:** -40°C to +100°C (-40°F to 212°F)

**Electrical Connection:** Straight leads [Fig. 1 & 2]; Solder terminals or 6" wire leads [Fig. 3]

**Housing:** Protruding: Chrome plated brass;  
Internal position: Polycarbonate

**Terminals:** Copper — Nickel Plated

**Lock Washer:** Iron — Nickel Plated

**Nut:** Brass — Nickel Plated

## Ordering Information 678

Part Number	Color	Voltage (V DC)	Current (mA)	Typical Intensity (mcd)	Viewing Angle	LED Position	Fig. #	Mount Style	Panel Thickness
Straight Leads									

### Polycarbonate

678-1131-111F	● Red	2	15	2210	4	Internal	1	Lock washer & nut	.2165" (5.5 mm)
678-1231-112F	● Green	3.3		46860					
678-1331-113F	● Orange	2		2210					
678-1431-114F	● Blue	3.3		7100					
678-3131-111F	● Red	2		3020	40		2		
678-3231-112F	● Green	3.3		30600	20				
678-3331-113F	● Orange	2		3260	20				
678-3431-114F	● Blue	3.3		4360	40				

### White Nickel

Part Numbers	Part Numbers	Color	Voltage (V DC)	Current (mA)	Typical Intensity (mcd)	Viewing Angle	LED Position	Fig. #	Mount Style	Panel Thickness
Terminals	Wire Leads									
678-1112-321F	678-1115-321F	● Red	6	15	320	20	Protruding	3	Lock washer & nut	.3158" (8.0 mm)
678-1212-322F	678-1215-322F	● Green			2920					
678-1312-323F	678-1315-323F	● Orange			490					
678-1412-324F	678-1415-324F	● Blue			220					
678-1112-331F	678-1115-331F	● Red	12		320					
678-1212-332F	678-1215-332F	● Green			2920					
678-1312-333F	678-1315-333F	● Orange			490					
678-1412-334F	678-1415-334F	● Blue			220					
678-1112-341F	678-1115-341F	● Red	24	320						
678-1212-342F	678-1215-342F	● Green		2920						
678-1312-343F	678-1315-343F	● Orange		490						
678-1412-344F	678-1415-344F	● Blue		220						

Dialight reserves the right to make changes at any time in order to supply the best product possible. The most current version of this document will always be available at: [www.dialightsignalsandcomponents.com](http://www.dialightsignalsandcomponents.com)

**Warranty Statement:** Except for the warranty expressly provided for at: [www.dialight.com/resources/warranties/](http://www.dialight.com/resources/warranties/), Dialight disclaims any and all other warranties, express or implied, including, without limitation, any warranties of merchantability, fitness for a particular purpose, title, and noninfringement.



### Certifications & Ratings

- RoHS compliant
- NEMA 4X (with gasket)
- IP66 (with gasket)

### Application

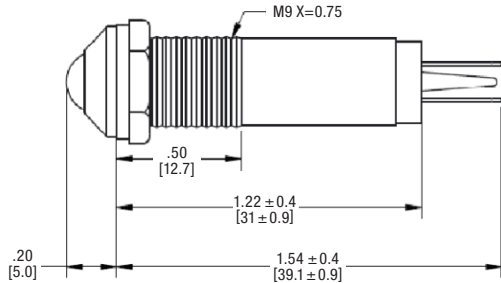
The 679 Series LED Panel Mount Indicators are designed for a variety of applications such as:

- Main power indication
  - Remote power indication
  - Status indication
  - Maintenance and warning indication
  - Instrumentation
- ... and many more!

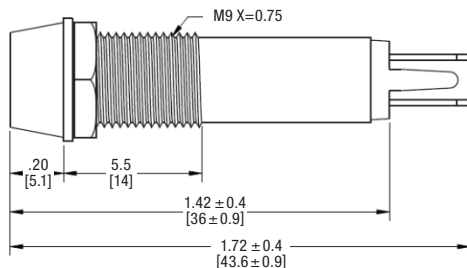
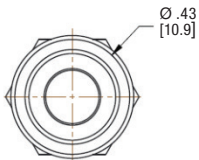
### Dimensions

inches [mm]

#### Protruding



#### Recessed



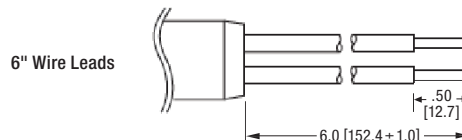
*These indicators are un-polarized*

### Mechanical Information

- Mounting Hole Size:** 0.374" (9.5 mm)  
**Max Panel Thickness:** 0.374" (9.5 mm);  
 with Gasket: 0.318" (8.0 mm)  
**Mounting Torque:** 0.362 lbs/ft (5 kg/cm)

### Specifications

- Voltage Options:** 6, 12 & 24 V DC (no resistor required)  
**Operating Temp:** -20°C to +75°C (-4°F to +167°F)  
**Storage Temp:** -40°C to +100°C (-40°F to +212°F)  
**Electrical Connection:** Solder terminals, 6" wire leads  
**Housing:** Brass—Chrome or Black Plated  
**Terminals:** Copper—Nickel Plated  
**Lock washer:** Iron—Nickel Plated  
**Nut:** Brass—Nickel Plated



## Ordering Information 679 Series

### Part Number Guide

RoHS Compliant

6 7 9 - X X X X - 3 X X F

LED Position		Termination		Lens Color*	
Protruding	1	2	Solder Terminals	1	Red
Recessed	2	5	6" Wire Leads	2	Green
		Plating		3	Orange
				4	Blue
				* Lens color same as LED color	
LED Color		Voltage			
Red	1	2	6VDC		
Green	2	3	12VDC		
Orange	3	4	24VDC		
Blue	4				

### Protruding LED

Part Number / Termination		Color	Voltage (V DC)	Current (mA)	Intensity Typ. (mcd)	Plating		
Solder Terminals	6" Wire Leads							
679-1112-321F	679-1115-321F	Red	6	15	485	Chrome		
679-1212-322F	679-1215-322F	Green						
679-1312-323F	679-1315-323F	Orange						
679-1412-324F	679-1415-324F	Blue						
679-1112-331F	679-1115-331F	Red	12	15	485		Chrome	
679-1212-332F	679-1215-332F	Green						
679-1312-333F	679-1315-333F	Orange						
679-1412-334F	679-1415-334F	Blue						
679-1112-341F	679-1115-341F	Red	24	15	485			Chrome
679-1212-342F	679-1215-342F	Green						
679-1312-343F	679-1315-343F	Orange						
679-1412-344F	679-1415-344F	Blue						
679-1122-321F	679-1125-321F	Red	6	15	485	Black		
679-1222-322F	679-1225-322F	Green						
679-1322-323F	679-1325-323F	Orange						
679-1422-324F	679-1425-324F	Blue						
679-1122-331F	679-1125-331F	Red	12	15	485		Black	
679-1222-332F	679-1225-332F	Green						
679-1322-333F	679-1325-333F	Orange						
679-1422-334F	679-1425-334F	Blue						
679-1122-341F	679-1125-341F	Red	24	15	485			Black
679-1222-342F	679-1225-342F	Green						
679-1322-343F	679-1325-343F	Orange						
679-1422-344F	679-1425-344F	Blue						

### Recessed LED

Part Number / Termination		Color	Voltage (V DC)	Current (mA)	Intensity Typ. (mcd)	Plating		
Solder Terminals	6" Wire Leads							
679-2112-321F	679-2115-321F	Red	6	15	775	Chrome		
679-2212-322F	679-2215-322F	Green						
679-2312-323F	679-2315-323F	Orange						
679-2412-324F	679-2415-324F	Blue						
679-2112-331F	679-2115-331F	Red	12	15	775		Chrome	
679-2212-332F	679-2215-332F	Green						
679-2312-333F	679-2315-333F	Orange						
679-2412-334F	679-2415-334F	Blue						
679-2112-341F	679-2115-341F	Red	24	15	775			Chrome
679-2212-342F	679-2215-342F	Green						
679-2312-343F	679-2315-343F	Orange						
679-2412-344F	679-2415-344F	Blue						
679-2122-321F	679-2125-321F	Red	6	15	775	Black		
679-2222-322F	679-2225-322F	Green						
679-2322-323F	679-2325-323F	Orange						
679-2422-324F	679-2425-324F	Blue						
679-2122-331F	679-2125-331F	Red	12	15	775		Black	
679-2222-332F	679-2225-332F	Green						
679-2322-333F	679-2325-333F	Orange						
679-2422-334F	679-2425-334F	Blue						
679-2122-341F	679-2125-341F	Red	24	15	775			Black
679-2222-342F	679-2225-342F	Green						
679-2322-343F	679-2325-343F	Orange						
679-2422-344F	679-2425-344F	Blue						

Dialight reserves the right to make changes at any time in order to supply the best product possible. The most current version of this document will always be available at: [www.dialightsignalsandcomponents.com](http://www.dialightsignalsandcomponents.com)

**Warranty Statement:** Except for the warranty expressly provided for at: [www.dialight.com/resources/warranties/](http://www.dialight.com/resources/warranties/), Dialight disclaims any and all other warranties, express or implied, including, without limitation, any warranties of merchantability, fitness for a particular purpose, title, and noninfringement.



### Certifications & Ratings

- RoHS compliant

### Application

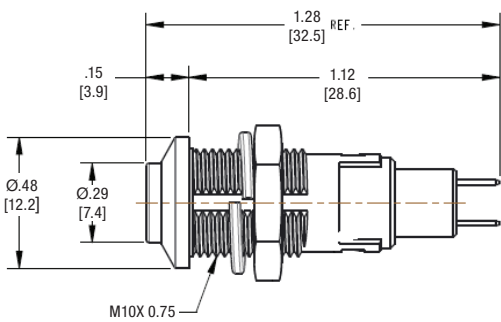
The 680 Series LED Panel Mount Indicators are designed for a variety of applications such as:

- Main power indication
  - Remote power indication
  - Status indication
  - Maintenance and warning indication
  - Instrumentation
- ... and many more!

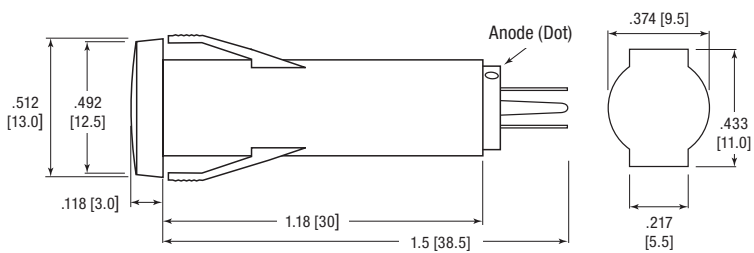
### Dimensions

inches [mm]

#### Standard

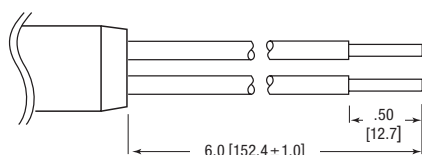


#### Snap-in



Mounting Hole  
For Snap-In Version

#### 6" Wire Leads



These indicators are un-polarized

### Mechanical Information

**Mounting Hole Size:** 0.413" (10.5 mm) (Standard)  
Snap-in, see drawing

**Max Panel Thickness:** 0.236" (6.0 mm) (Standard);  
0.098" (2.49 mm) (Snap-in)

**Mounting Torque:** 0.217 lbs/ft (3 kg/cm) (Standard)

### Specifications

**Voltage Options:** 6, 12, & 24 VDC (no resistor required)

**Operating Temp:** -20 °C to +75 °C (-4 °F to +167 °F)

**Storage Temp:** -40 °C to +100 °C (-40 °F to +212 °F)

**Electrical Connection:** Solder terminals, 6" wire leads

**Housing:** Polycarbonate

**Terminals:** Copper—Nickel Plated

**Lock Washer:** Iron—Nickel Plated

**Nut:** Brass—Nickel Plated

## Ordering Information 680 Series

### Part Number Guide

RoHS Compliant

6	8	0	-	3	X	3	X	-	X	X	X	F
LED Color*					Termination				Lens Color*			
● Red	1	Solder Terminals				2	1 ● Red					
● Green	2	6" Wire Leads				5	2 ● Green					
● Orange	3	Mounting Style				3 ● Orange						
● Blue	4					4 ● Blue						
					Standard		1	Voltage				
					Snap-in		2					
							2	6VDC				
							3	12VDC				
							4	24VDC				

\* Lens color same as LED color

Dialight P/N			Color	Current (mA)	Typical Intensity (mcd)	Panel Thickness	Termination
6 VDC	12 VDC	24 VDC					

### Standard

6 VDC	12 VDC	24 VDC	Color	Current (mA)	Typical Intensity (mcd)	Panel Thickness	Termination
680-3132-121F	680-3132-131F	680-3132-141F	● Red	15	1530	0.236" (6.0mm)	Solder Terminals
680-3232-122F	680-3232-132F	680-3232-142F	● Green		4330		
680-3332-123F	680-3332-133F	680-3332-143F	● Orange		1455		
680-3432-124F	680-3432-134F	680-3432-144F	● Blue		245		
680-3135-121F	680-3135-131F	680-3135-141F	● Red		1530		Wire Leads
680-3235-122F	680-3235-132F	680-3235-142F	● Green		4330		
680-3335-123F	680-3335-133F	680-3335-143F	● Orange		1455		
680-3435-124F	680-3435-134F	680-3435-144F	● Blue		245		

### Snap-in

6 VDC	12 VDC	24 VDC	Color	Current (mA)	Typical Intensity (mcd)	Panel Thickness	Termination
680-3132-221F	680-3132-231F	680-3132-241F	● Red	15	335	0.098" (2.5mm)	Solder Terminals
680-3232-222F	680-3232-232F	680-3232-242F	● Green		4070		
680-3332-223F	680-3332-233F	680-3332-243F	● Orange		1025		
680-3432-224F	680-3432-234F	680-3432-244F	● Blue		730		
680-3135-221F	680-3135-231F	680-3135-241F	● Red		335		Wire Leads
680-3235-222F	680-3235-232F	680-3235-242F	● Green		4070		
680-3335-223F	680-3335-233F	680-3335-243F	● Orange		1025		
680-3435-224F	680-3435-234F	680-3435-244F	● Blue		730		

Dialight reserves the right to make changes at any time in order to supply the best product possible. The most current version of this document will always be available at: [www.dialightsignalsandcomponents.com](http://www.dialightsignalsandcomponents.com)

**Warranty Statement:** Except for the warranty expressly provided for at: [www.dialight.com/resources/warranties/](http://www.dialight.com/resources/warranties/), Dialight disclaims any and all other warranties, express or implied, including, without limitation, any warranties of merchantability, fitness for a particular purpose, title, and noninfringement.



## Certifications & Ratings

- RoHS compliant

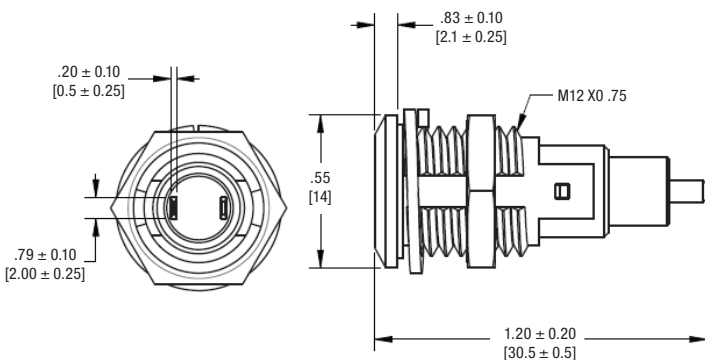
## Application

The 682 Series LED Panel Mount Indicators are designed for a variety of applications such as:

- Main power indication
  - Remote power indication
  - Status indication
  - Maintenance and warning indication
  - Instrumentation
- ... and many more!

## Dimensions

inches [mm]



*These indicators are un-polarized*

## Mechanical Information

- Mounting Hole Size:** 0.492" (12.5 mm)
- Max Panel Thickness:** 0.236" (6.0 mm)
- Mounting Torque:** 0.217 lbs/ft (3 kg/cm)

## Specifications

- Voltage Options:** 6, 12 & 24VDC (no resistor required)
- Operating Temp:** -20 °C to +75 °C (-4 °F to +167 °F)
- Storage Temp:** -40 °C to +100 °C (-40 °F to +212 °F)
- Electrical Connection:** Solder terminals and 6" wire leads
- Housing:** Polycarbonate
- Terminals:** Copper—Nickel Plated
- Lock Washer:** Iron—Nickel Plated
- Nut:** Brass—Nickel Plated

## Ordering Information 682 Series

Part Number		Color	Voltage (VDC)	Current (mA)	Intensity Typ. (mcd)
Terminals	Wire Leads				
682-3132-121F	682-3135-121F	Red	6	15	510
682-3232-122F	682-3235-122F	Green			2225
682-3332-123F	682-3335-123F	Orange			510
682-3432-124F	682-3435-124F	Blue			260
682-3132-131F	682-3135-131F	Red	12		510
682-3232-132F	682-3235-132F	Green			2225
682-3332-133F	682-3335-133F	Orange			510
682-3432-134F	682-3435-134F	Blue			260
682-3132-141F	682-3135-141F	Red	24		510
682-3232-142F	682-3235-142F	Green			2225
682-3332-143F	682-3335-143F	Orange			510
682-3432-144F	682-3435-144F	Blue			260

Dialight reserves the right to make changes at any time in order to supply the best product possible. The most current version of this document will always be available at: [www.dialightsignalsandcomponents.com](http://www.dialightsignalsandcomponents.com)

**Warranty Statement:** Except for the warranty expressly provided for at: [www.dialight.com/resources/warranties/](http://www.dialight.com/resources/warranties/), Dialight disclaims any and all other warranties, express or implied, including, without limitation, any warranties of merchantability, fitness for a particular purpose, title, and noninfringement.





# LED Based Bulbs

## Quick Reference



### Application

With the technological advancements in Light Emitting Diodes (LEDs) brightness can now rival the incandescent lamp when used in similar packages. These advancements have allowed for a new type of product called the Based LED, an LED with the fit and functionality of an incandescent light bulb

- High reliability - vibration and shock resistant
- Multi-chip, Cluster, and Single Ultra-Bright Chip
- AllnGaP and InGaN die technology
- Polarized and non-polarized
- Single and multi-voltage input

...and many more!

### Certifications & Ratings

- RoHS compliant

### Considerations

Since lens caps act as filters for the light emitted from the based LED, it is important to match the emitting color of the LED. If not matched properly, the overall light output may be substantially reduced. Dialight recommends using transparent lenses, which will optimize the light output.

- Although these lamps can be operated at a lower voltage, which will increase the life, the intensity will be reduced.
- Operation of the based LED at a higher voltage should not exceed 10% above the recommended voltage.
- Dialight does not recommend that based LED lamps be used in neon sockets.

Base Style	Configuration	Color	6 VDC	12-24 VDC	24-48 VDC	120 VAC	Polarized	6-36 VDC	ROHS Compliant
T1 3/4 Midget Flange	Single Chip	Red / Green / Yellow / Blue / White	•	•	•		Polarized		•
T1 3/4 Midget Flange	Multi Chip	Red / Green / Yellow	•	•	•		Polarized / Non-Polarized		
T1 3/4 Wedge (T5)	Single / Dual Chip	Red / Green / Yellow / Blue / White	•	•	•		Non-Polarized		•
T1 3/4 Wedge (T5)	Multi Chip	Red / Green / Yellow	•	•	•		Polarized / Non-Polarized		
T1 3/4 Bi-Pin	Single Chip	Red / Green / Yellow / Blue / White	•	•	•		Polarized		•
T1 3/4 Bi-Pin	Multi Chip	Red / Green / Yellow	•	•	•		Polarized / Non-Polarized		
T2 Telephone Slide	Single Chip	Red / Green / Yellow / Blue / White			•		Non-Polarized		•
T3 1/4 Miniature Bayonet (BA9s)	Single Chip	Red / Green / Yellow / Blue / White	•	•	•		Polarized / Non-Polarized	•	•
T3 1/4 Miniature Bayonet (BA9s)	Cluster	Red / Green / Yellow / Blue / White	•	•	•	•	Polarized / Non-Polarized		•
T3 1/4 Miniature Screw (E10)	Single Chip	Red / Green / Yellow / Blue / White	•	•	•		Non-Polarized	•	•
T3 1/4 Wedge (T10)	Cluster	Red / Green / Yellow / Blue / White	•	•	•		Non-Polarized		•
15mm Bayonet (BA15s)	Custer	Red / Green / Yellow / Blue / White		•	•		Polarized		•

## Single Chip Based LED - T1 3/4 Midget Flange



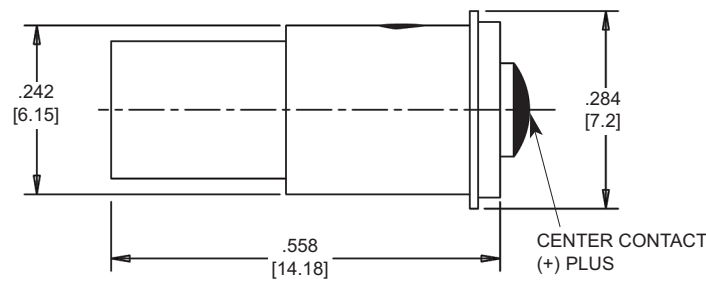
### Features/Benefits:

- RoHS compliant
- Longer life
- Energy savings - 90% less power required
- High reliability - vibration and shock resistant
- Mounts directly into industry standard socket
- AllnGaP and InGaN die technology
- Super bright single chip design
- No heat generated

### Specifications

<b>Base:</b>	T1 3/4 Midget Flange
<b>Voltage Options:</b>	6,14, and 28 V DC
<b>Operating Temp:</b>	-40°C to +80°C (-40°F to +176°F)
<b>Storage Temp:</b>	-40°C to +100°C (-40°F to +212°F)

### Dimensions



Measurements are typical  
Dimension are in Inches [mm]

Part Number	Color	Peak Wavelength (nm)	Voltage (V DC)	Current Typ. (mA)	Intensity Typ. (mcd)
586-1101-101F	Red	639	6	10	775
586-1102-101F	Green	520	6	10	600
586-1103-101F	Yellow	592	6	10	775
586-1105-101F	Blue	467	6	10	210
586-1106-101F	White	*	6	10	460
586-1101-103F	Red	639	14	10	775
586-1102-103F	Green	520	14	10	600
586-1103-103F	Yellow	592	14	10	775
586-1105-103F	Blue	467	14	10	210
586-1106-103F	White	*	14	10	460
586-1101-105F	Red	639	28	10	775
586-1102-105F	Green	520	28	10	600
586-1103-105F	Yellow	592	28	10	775
586-1105-105F	Blue	467	28	10	210
586-1106-105F	White	*	28	10	460

\* Color coordinates: x=0.320, y=0.320

## Multi-Chip Based LED - T1 3/4 Midget Flange

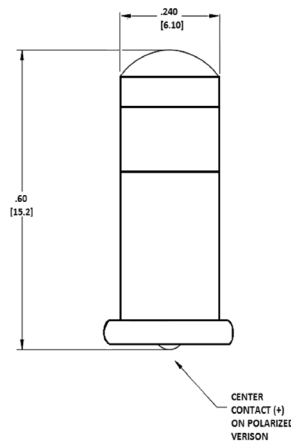


### RoHS Compliant Features/Benefits

- Longer life
- Energy savings - 90% less power required
- Mounts directly into industry standard socket
- Polarized and non-polarized

Specifications	
<b>Base:</b>	T1 3/4 Midget Flange
<b>Voltage Options:</b>	6, 14, and 28 V DC
<b>Operating Temp:</b>	-20°C to +60°C (-4°F to +140°F)
<b>Storage Temp:</b>	-30°C to +100°C (-22°F to +212°F)

### Dimensions



Measurements are typical  
Dimension are in Inches [mm]

Part Number	Color	Peak Wavelength (nm)	Voltage (V DC)	Current Typ. (mA)	Intensity Typ. (mcd)
<b>Polarized LED Bulbs</b>					
585-1211F	Red	660	6	50	67
585-1311F	Green	565	6	46	77
585-1411F	Yellow	585	6	44	22
585-1213F	Red	660	14	30	60
585-1313F	Green	565	14	28	70
585-1413F	Yellow	585	14	30	23
585-1215F	Red	660	28	16	64
585-1315F	Green	565	28	15	75
585-1415F	Yellow	585	28	15	23
<b>Non-Polarized LED Bulbs</b>					
585-1221F	Red	660	6	75	50
585-1321F	Green	565	6	67	56
585-1421F	Yellow	585	6	73	18
585-1223F	Red	660	14	26	50
585-1323F	Green	565	14	23	56
585-1423F	Yellow	585	14	24	18
585-1225F	Red	660	28	14	56
585-1325F	Green	565	28	13	65
585-1425F	Yellow	585	28	13	20

## Single Chip Based LED - T1 3/4 Wedge (T5)



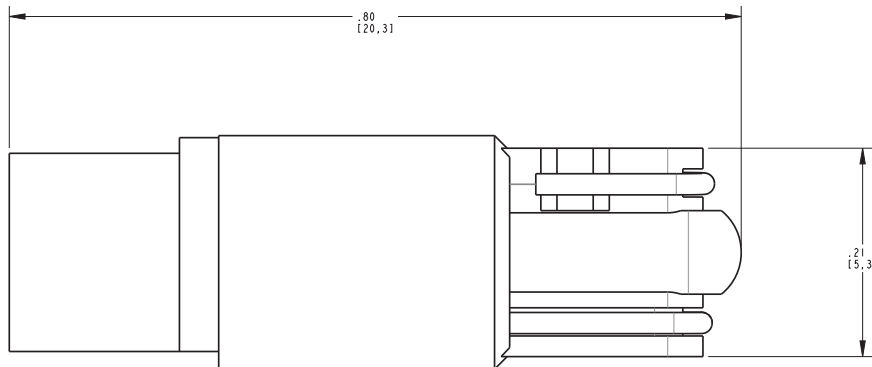
### Features/Benefits

- RoHS compliant
- Longer life
- Energy savings - 90% less power required
- High reliability - vibration and shock resistant
- Mounts directly into industry standard socket
- Wide 100 degree viewing angel
- No heat generated

### Specifications

<b>Base:</b>	T1 3/4 Midget Flange
<b>Voltage Options:</b>	6, 14, and 28 V DC
<b>Operating Temp:</b>	-40°C to +80°C (-40°F to +176°F)
<b>Storage Temp:</b>	-40°C to +100°C (-40°F to +212°F)

### Dimensions



Measurements are typical  
Dimension are in Inches [mm]

Part Number	Color	Peak Wavelength (nm)	Voltage (V DC)	Current Typ.(mA)	Intensity Typ. (mcd)
586-1A01-101F	Red	630	6	16	775
586-1A02-101F	Green	526	6	16	600
586-1A03-101F	Yellow	592	6	16	775
586-1A05-101F	Blue	472	6	16	165
586-1A06-101F	White	*	6	16	460
586-1A01-103F	Red	630	14	16	775
586-1A02-103F	Green	526	14	16	600
586-1A03-103F	Yellow	592	14	16	775
586-1A05-103F	Blue	472	14	16	165
586-1A06-103F	White	*	14	16	460
586-1A01-105F	Red	630	28	16	775
586-1A02-105F	Green	526	28	16	600
586-1A03-105F	Yellow	592	28	16	775
586-1A05-105F	Blue	472	28	16	165
586-1A06-105F	White	*	28	16	460

\* Color coordinates: x=0.320, y=0.320



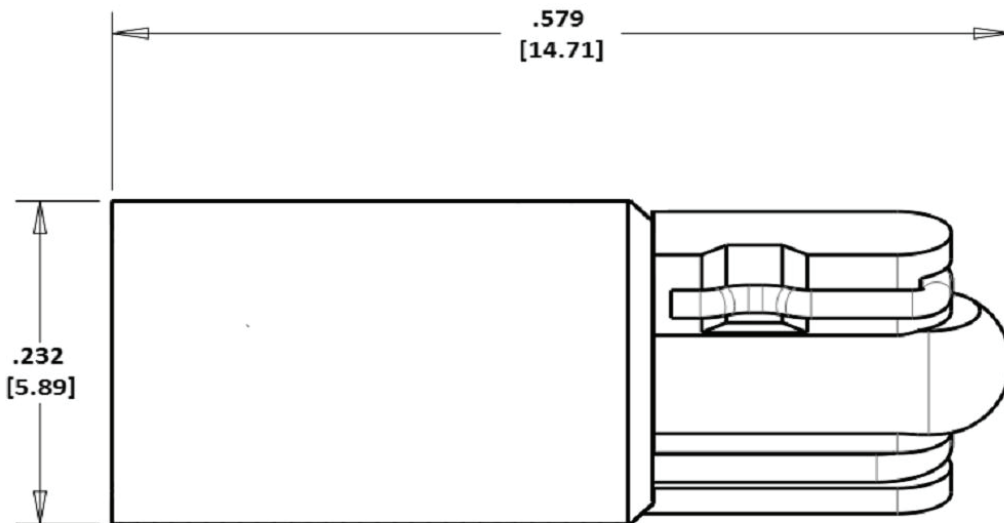
**Features/Benefits**

- RoHS compliant
- Longer life
- Energy savings - 90% less power required
- High reliability - vibration and shock resistant
- Unique multi-LED design provides superior illumination
- AllInGaP and InGaN die technology
- True Non-Polarized design
- Mounts directly into industry standard socket

**Specifications**

<b>Base:</b>	T1 3/4 Wedge
<b>Voltage Options:</b>	6, 12, 14 and 28 V DC
<b>Operating Temp:</b>	-30°C to +85°C (-22°F to +185°F)
<b>Storage Temp:</b>	-40°C to +100°C (-40F to +212°F)

**Dimensions**



Measurements are typical  
Dimension are in Inches [mm]

### Ordering Information

Part Number	Color	Peak Wavelength (nm)	Voltage (V DC)	Current Typ. (mA)	Intensity Typ. (mcd)
586-1201-201F	Red	615	6	35	450
586-1202-201F	Green	528	6	12	120
586-1203-201F	Yellow	587	6	35	450
586-1205-201F	Blue	470	6	12	50
586-1206-201F	White	*	6	15	320
586-1201-202F	Red	615	12	18	450
586-1202-202F	Green	528	12	8	170
586-1203-202F	Yellow	587	12	18	450
586-1205-202F	Blue	470	12	8	70
586-1206-202F	White	*	12	11	450
586-1201-203F	Red	615	14	20	500
586-1202-203F	Green	528	14	8.5	185
586-1203-203F	Yellow	587	14	20	500
586-1205-203F	Blue	470	14	8.5	75
586-1206-203F	White	*	14	12	500
586-1201-204F	Red	615	24	14	350
586-1202-204F	Green	528	24	10	215
586-1203-204F	Yellow	587	24	14	350
586-1205-204F	Blue	470	24	10	85
586-1206-204F	White	*	24	14	580
586-1201-205F	Red	615	28	14	350
586-1202-205F	Green	528	28	10	210
586-1203-205F	Yellow	587	28	14	350
586-1205-205F	Blue	470	28	10	80
586-1206-205F	White	*	28	14	540

\* Color coordinates: x=0.330, y=0.330

## Multi-Chip Based LED - T1 3/4 Wedge



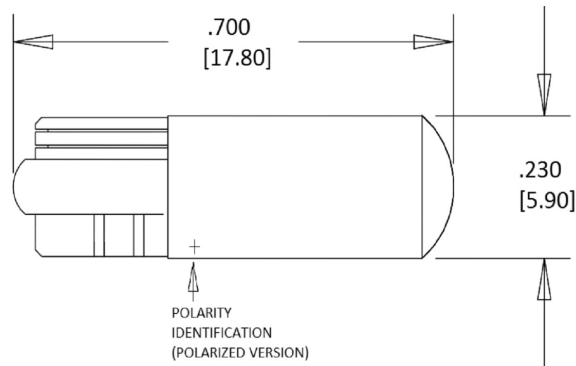
### Features/Benefits:

- Longer life
- Energy savings - 90% less power required
- High reliability - vibration and shock resistant
- Mounts directly into industry standard socket
- AllnGaP and InGaN die technology
- True non-polarized configurations available
- No heat generated

### Specifications

<b>Base:</b>	T1 3/4 Wedge
<b>Voltage Options:</b>	6, 14, and 28 V DC
<b>Operating Temp:</b>	-20°C to +60°C (-4°F to +140°F)
<b>Storage Temp:</b>	-30°C to +100°C (-22°F to +212°F)

### Dimensions



Measurements are typical  
Dimension are in Inches [mm]

Part Number	Color	Peak Wavelength (nm)	Voltage (V DC)	Current Typ. (mA)	Intensity Typ. (mcd)
<b>Polarized LED Bulbs</b>					
585-2211F	Red	660	6	50	67
585-2311F	Green	565	6	46	77
585-2411F	Yellow	585	6	44	22
585-2213F	Red	660	14	30	60
585-2313F	Green	565	14	28	70
585-2413F	Yellow	585	14	30	23
585-2215F	Red	660	28	16	64
585-2315F	Green	565	28	15	75
585-2415F	Yellow	585	28	15	23
<b>Non-Polarized LED Bulbs</b>					
585-2221F	Red	660	6	75	50
585-2321F	Green	565	6	67	56
585-2421F	Yellow	585	6	73	18
585-2223F	Red	660	14	26	50
585-2323F	Green	565	14	23	56
585-2423F	Yellow	585	14	24	18
585-2225F	Red	660	28	14	56
585-2325F	Green	565	28	13	65
585-2425F	Yellow	585	28	13	20

Single-Chip Based LED - T1 3/4 Bi-pin

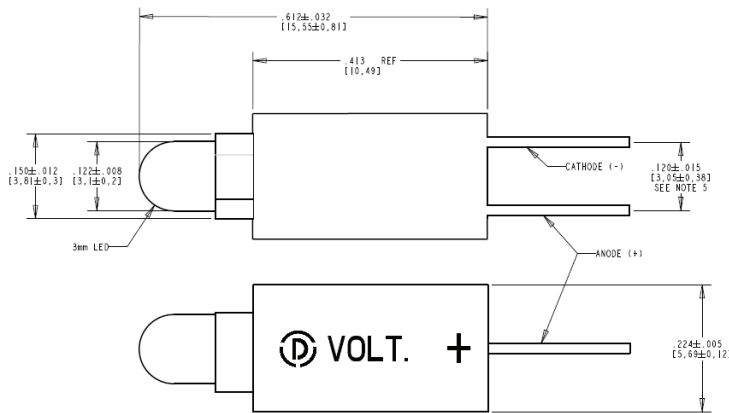


Features/Benefits:

- RoHS compliant
- Longer life
- Energy savings - 90% less power required
- High reliability - vibration and shock resistant
- Mounts directly into industry standard socket
- AllnGaP and InGaN die technology
- Super bright single chip design
- No heat generated

Specifications	
Voltage Options:	6,14, and 28 V DC
Operating Temp:	-30°C to +80°C (-22°F to +176°F)
Storage Temp:	-40°C to +85°C (-40F to +185°F)

Dimensions



Measurements are typical  
Dimension are in Inches [mm]

Part Number	Color	Peak Wavelength (nm)	Voltage (V DC)	Current Typ. (mA)	Intensity Typ. (mcd)
586-1301-101F	Red	626	6	10	90
586-1302-101F	Green	525	6	10	1700
586-1303-101F	Yellow	590	6	10	110
586-1305-101F	Blue	470	6	10	500
586-1306-101F	White	*	6	10	635
586-1301-103F	Red	626	14	10	90
586-1302-103F	Green	525	14	10	1700
586-1303-103F	Yellow	590	14	10	110
586-1305-103F	Blue	470	14	10	500
586-1306-103F	White	*	14	10	635
586-1301-105F	Red	626	28	10	90
586-1302-105F	Green	525	28	10	1700
586-1303-105F	Yellow	590	28	10	110
586-1305-105F	Blue	470	28	10	500
586-1306-105F	White	*	28	10	635

\* Color coordinates: x=0.320, y=0.320





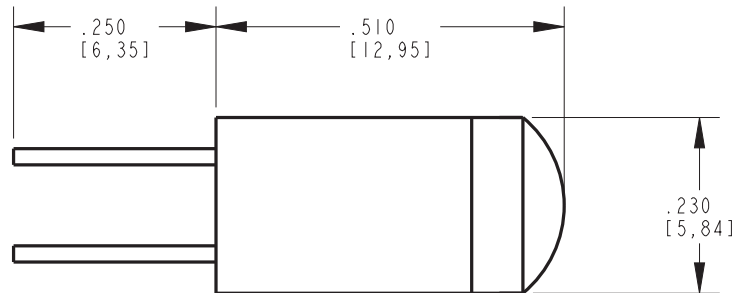
### Features/Benefits

- Longer life
- Energy savings - 90% less power required
- Mounts directly into industry standard socket
- True non-polarized configuration available
- Polarized and non-polarized
- No heat generated

### Specifications

<b>Voltage Options:</b>	6,14, and 28 V DC
<b>Operating Temp:</b>	-20°C to +60°C (-4°F to +140°F)
<b>Storage Temp:</b>	-30°C to +100°C (-22°F to +212°F)

### Dimensions



Measurements are typical  
Dimension are in Inches [mm]

Part Number	Color	Peak Wavelength (nm)	Voltage (V DC)	Current Typ. (mA)	Intensity Typ. (mcd)
<b>Polarized LED Bulbs</b>					
585-3211F	Red	660	6	50	67
585-3311F	Green	565	6	46	77
585-3411F	Yellow	585	6	44	22
585-3213F	Red	660	14	30	60
585-3313F	Green	565	14	28	70
585-3413F	Yellow	585	14	30	23
585-3215F	Red	660	28	16	64
585-3315F	Green	565	28	15	75
585-3415F	Yellow	585	28	15	23
<b>Non-Polarized LED Bulbs</b>					
585-3221F	Red	660	6	75	50
585-3321F	Green	565	6	67	56
585-3421F	Yellow	585	6	73	18
585-3223F	Red	660	14	26	50
585-3323F	Green	565	14	23	56
585-3423F	Yellow	585	14	24	18
585-3225F	Red	660	28	14	56
585-3325F	Green	565	28	13	65
585-3425F	Yellow	585	28	13	20

Single-Chip Based LED - T3-1/4 Miniature Bayonet (BA9s)

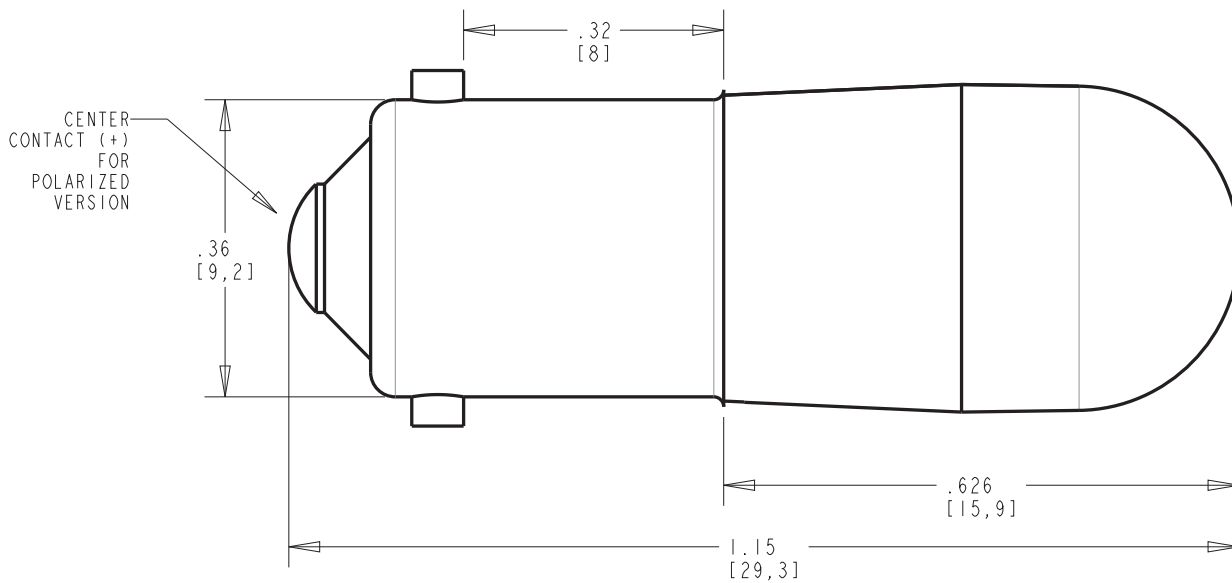


Features/Benefits:

- RoHS compliant
- Longer life
- Energy savings - 90% less power required
- High reliability - vibration and shock resistant
- Mounts directly into industry standard socket
- True non-polarized configurations available
- No heat generated
- Super bright single chip design

Specifications	
Base:	T3 1/4 Miniature Bayonet (BA9s)
Voltage Options:	6,14, and 28 V DC, 6-36 V DC
Operating Temp:	-30°C to +85°C (-22°F to +185°F)
Storage Temp:	-40°C to +100°C (-40F to +212°F)

Dimensions



Measurements are typical  
Dimension are in Inches [mm]

## Single-Chip Based LED - T3-1/4 Miniature Bayonet (BA9s)

### Ordering Information

Part Number	Color	Peak Wavelength (nm)	Voltage (V DC)	Current Typ. (mA)	Intensity Typ. (mcd)
<b>Polarized LED Bulbs</b>					
586-2401-101F	Red	630	6	15	1050
586-2402-101F	Green	525	6	15	1650
586-2403-101F	Yellow	592	6	15	1275
586-2405-101F	Blue	470	6	15	487
586-2406-101F	White	*	6	15	825
586-2401-103F	Red	630	14	15	1050
586-2402-103F	Green	525	14	15	1650
586-2403-103F	Yellow	592	14	15	1275
586-2405-103F	Blue	470	14	15	487
586-2406-103F	White	*	14	15	825
586-2401-105F	Red	630	28	15	1050
586-2402-105F	Green	525	28	15	1650
586-2403-105F	Yellow	592	28	15	1275
586-2405-105F	Blue	470	28	15	487
586-2406-105F	White	*	28	15	825
586-2401-220F	Red	630	6-36	10	1000
586-2402-220F	Green	525	6-36	10	1500
586-2403-220F	Yellow	592	6-36	10	550
586-2405-220F	Blue	470	6-36	10	200
586-2406-220F	White	*	6-36	10	650
<b>Non-Polarized LED Bulbs</b>					
586-2401-201F	Red	630	6	15	1050
586-2402-201F	Green	525	6	15	1650
586-2403-201F	Yellow	592	6	15	1275
586-2405-201F	Blue	470	6	15	487
586-2406-201F	White	*	6	15	825
586-2401-203F	Red	630	14	15	1050
586-2402-203F	Green	525	14	15	1650
586-2403-203F	Yellow	592	14	15	1275
586-2405-203F	Blue	470	14	15	487
586-2406-203F	White	*	14	15	825
586-2401-205F	Red	630	28	7.5	525
586-2402-205F	Green	525	28	7.5	825
586-2403-205F	Yellow	592	28	7.5	637
586-2405-205F	Blue	470	28	7.5	243
586-2406-205F	White	*	28	7.5	412

\* Color coordinates: x=0.330, y=0.365

Daylight Viewable Cluster Based LED  
T3 1/4 Miniature Bayonet Base (BA9s)



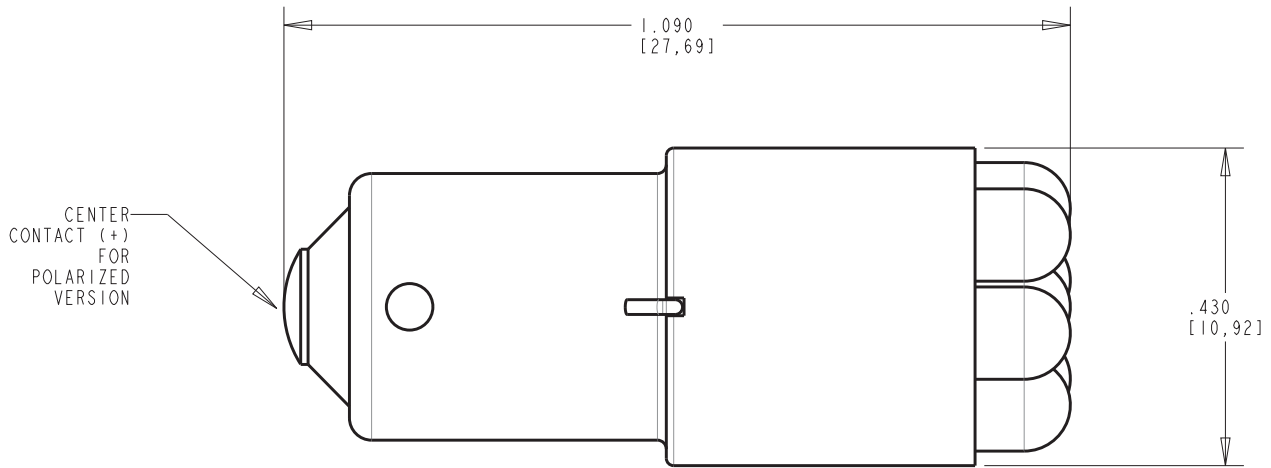
Features/Benefits

- RoHS compliant
- Longer life
- Energy savings - 90% less power required
- High reliability - vibration and shock resistant
- Mounts directly into industry standard sockets
- Polarized and non-polarized
- Super bright LED cluster design

Specifications

<b>Base:</b>	T3 1/4 Miniature Bayonet (BA9s)
<b>Voltage Options:</b>	6, 14, and 28 V DC; 120 V AC
<b>Operating Temp:</b>	-30C to +85°C (-22°F to +185°F)
<b>Storage Temp:</b>	-40°C to +100°C (-40F to +212°F)

Dimensions



Measurements are typical  
Dimension are in Inches [mm]

## Daylight Viewable Cluster Based LED T3 1/4 Miniature Bayonet Base (BA9s)

### Ordering Information

Part Number	Color	Peak Wavelength (nm)	Voltage (V DC)	Forward Current Typ. (mA)	Intensity Typ. (mcd)
<b>Polarized LED Bulbs</b>					
586-6401-101F	Red	630	6	100	1000
586-6402-101F	Green	525	6	90	3800
586-6403-101F	Yellow	592	6	100	2000
586-6405-101F	Blue	470	6	90	850
586-6406-101F	White	*	6	90	4800
586-6401-103F	Red	630	14	50	1000
586-6402-103F	Green	525	14	40	3100
586-6403-103F	Yellow	592	14	50	2000
586-6405-103F	Blue	470	14	40	685
586-6406-103F	White	*	14	40	4800
586-6401-105F	Red	630	28	17	1000
586-6402-105F	Green	525	28	13	3600
586-6403-105F	Yellow	592	28	17	2000
586-6405-105F	Blue	470	28	13	780
586-6406-105F	White	*	28	13	4200
<b>Non-Polarized LED Bulbs</b>					
586-6401-201F	Red	630	6	100	1000
586-6402-201F	Green	525	6	70	3400
586-6403-201F	Yellow	592	6	100	2000
586-6405-201F	Blue	470	6	70	685
586-6406-201F	White	*	6	70	4000
586-6401-203F	Red	630	14	50	1000
586-6402-203F	Green	525	14	40	3400
586-6403-203F	Yellow	592	14	50	2000
586-6405-203F	Blue	470	14	40	685
586-6406-203F	White	*	14	40	4000
586-6401-205F	Red	630	28	18	1000
586-6402-205F	Green	525	28	11	3400
586-6403-205F	Yellow	592	28	18	2000
586-6405-205F	Blue	470	28	11	685
586-6406-205F	White	*	28	11	4000
586-6401-206F	Red	630	120 V AC	9	500
586-6402-206F	Green	526	120 V AC	9	2400
586-6403-206F	Yellow	592	120 V AC	9	1000
586-6405-206F	Blue	472	120 V AC	9	565
586-6406-206F	White	*	120 V AC	9	3000

\* Color coordinates: x=0.296, y=0.276

Cluster Based LED - T3 1/4 Miniature Bayonet (BA9s)



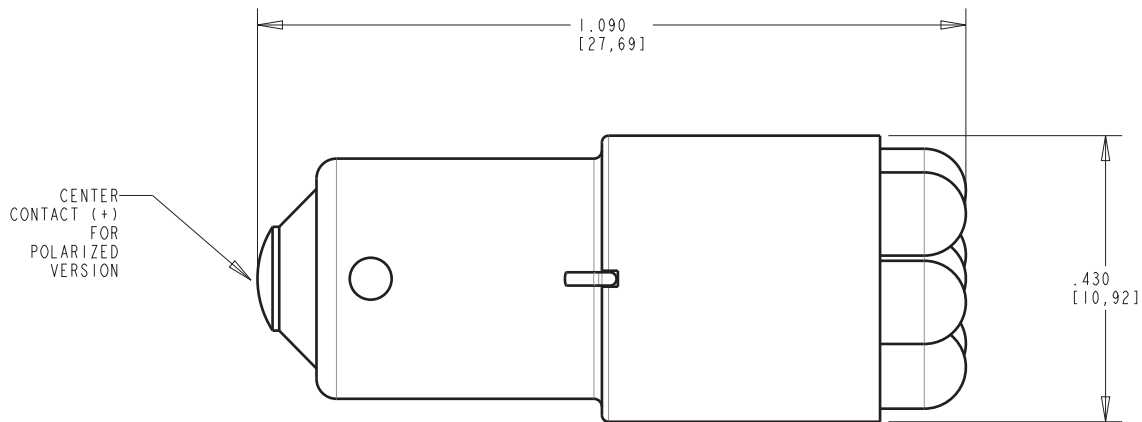
Features/Benefits

- Longer life
- Energy savings - 90% less power required
- High reliability - vibration and shock resistant
- Mount directly into industry standard socket
- Super bright LED cluster design
- Polarized and non-polarized
- No heat generated

Specifications

<b>Base:</b>	T3 1/4 Miniature Bayonet (BA9s)
<b>Voltage Options:</b>	6, 14 and 28 V DC; 120 V AC
<b>Operating Temp:</b>	-30°C to +85°C (-22°F to +185°F)
<b>Storage Temp:</b>	-40°C to +100°C (-40°F to +212°F)

Dimensions



Measurements are typical  
Dimension are in Inches [mm]

## Cluster Based LED - T3 1/4 Miniature Bayonet (BA9s)

### Ordering Information

Part Number	Color	Peak Wavelength (nm)	Voltage (V DC)	Current Typ. (mA)	Intensity Typ. (mcd)
<b>Polarized LED Bulbs</b>					
585-5211F	Red	660	6	60	480
585-5311F	Green	565	6	60	420
585-5511F	Yellow	592	6	90	1800
585-5213F	Red	660	14	40	480
585-5313F	Green	565	14	40	420
585-5513F	Yellow	592	14	60	1800
585-5215F	Red	660	28	20	560
585-5315F	Green	565	28	20	490
585-5515F	Yellow	592	28	30	2100
<b>Non-Polarized LED Bulbs</b>					
585-5223F	Red	660	14	40	480
585-5323F	Green	565	14	40	420
585-5523F	Yellow	592	14	60	1800
585-5225F	Red	660	28	20	560
585-5325F	Green	565	28	20	490
585-5525F	Yellow	592	28	30	2100
585-5256F	Red	660	120 V AC	9	252
585-5356F	Green	565	120 V AC	9	220
585-5556F	Yellow	585	120 V AC	9	945

Single Chip Based LED - T3 1/4 Miniature Screw (E10)



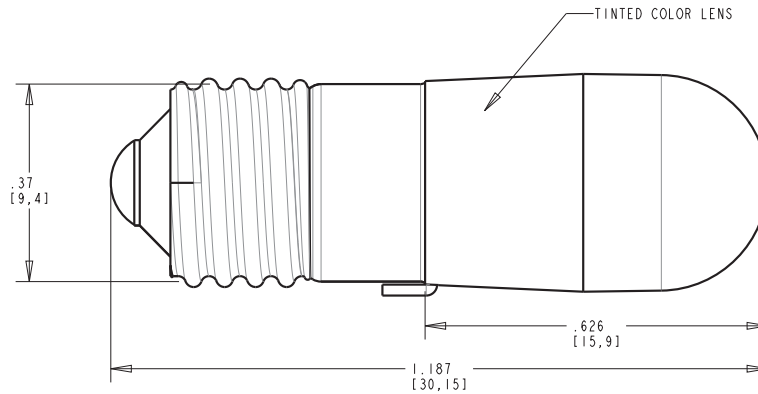
Features / Benefits:

- RoHS compliant
- Longer life
- Energy savings - 90% less power required
- High reliability - vibration and shock resistant
- Mounting directly into industry standard socket
- True non-polarized configuration
- Super bright single chip design

Specifications

Base:	T3 1/4 Miniature Screw (E10)
Voltage Options:	6, 14 and 28 V DC, 6-36 V DC
Operating Temp:	-30°C to +85°C (-22°F to +185°F)
Storage Temp:	-40°C to +100°C (-40°F to +212°F)

Dimensions



Measurements are typical  
Dimension are in Inches [mm]



## Single Chip Based LED - T3 1/4 Miniature Screw (E10)

### Ordering Information

Part Number	Color	Peak Wavelength (nm)	Voltage (V DC)	Current Typ. (mA)	Intensity Typ. (mcd)
586-2701-201F	Red	630	6	15	1050
586-2702-201F	Green	525	6	15	1650
586-2703-201F	Yellow	592	6	15	1275
586-2705-201F	Blue	470	6	15	487
586-2706-201F	White	*	6	15	825
586-2701-203F	Red	630	14	15	1050
586-2702-203F	Green	525	14	15	1650
586-2703-203F	Yellow	592	14	15	1275
586-2705-203F	Blue	470	14	15	487
586-2706-203F	White	*	14	15	825
586-2701-205F	Red	630	28	7.5	525
586-2702-205F	Green	525	28	7.5	825
586-2703-205F	Yellow	592	28	7.5	637
586-2705-205F	Blue	470	28	7.5	243
586-2706-205F	White	*	28	7.5	412
586-2701-220F	Red	630	6-36	10	1000
586-2702-220F	Green	525	6-36	10	1500
586-2703-220F	Yellow	592	6-36	10	550
586-2705-220F	Blue	470	6-36	10	200
586-2706-220F	White	*	6-36	10	650

\* Color coordinates: x=0.330, y=0.365



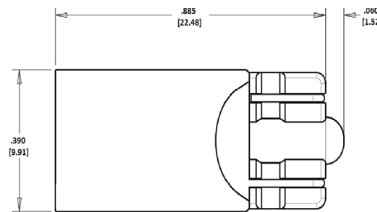
### Features/Benefits

- RoHS compliant
- Longer life
- Energy savings - 90% less power required
- High reliability - vibration and shock resistant
- Mounts directly into industry standard socket
- Unique multi-LED design provides superior illumination and ability
- No head generated

### Specifications

<b>Base:</b>	T3 1/4 Wedge (T10)
<b>Voltage Options:</b>	6, 12, 14 and 24 V DC
<b>Operating Temp:</b>	-30°C to +85°C (-22°F to +185°F)
<b>Storage Temp:</b>	-40°C to +100°C (-40°F to +212°F)

### Dimensions



Measurements are typical  
Dimension are in Inches [mm]

Part Number	Color	Peak Wavelength (nm)	Voltage (V DC)	Current Typ. (mA)	Intensity Typ. (mcd)
586-2201-201F	Red	615	6	69	770
586-2202-201F	Green	528	6	30	300
586-2203-201F	Yellow	591	6	69	550
586-2205-201F	Blue	470	6	30	90
586-2206-201F	White	*	6	30	630
586-2201-202F	Red	615	12	37	820
586-2202-202F	Green	528	12	19	380
586-2203-202F	Yellow	591	12	37	590
586-2205-202F	Blue	470	12	19	115
586-2206-202F	White	*	12	19	800
586-220A-202F	White/Yellow	* / 591	12	25	725
586-220B-202F	White/Orange	* / 610	12	25	775
586-2201-203F	Red	615	14	41	910
586-2202-203F	Green	528	14	24	480
586-2203-203F	Yellow	591	14	41	650
586-2205-203F	Blue	470	14	24	145
586-2206-203F	White	*	14	24	1000
586-220A-203F	White/Yellow	* / 591	14	25	725
586-220B-203F	White/Orange	* / 610	14	25	775
586-2201-204F	Red	615	24	19	850
586-2202-204F	Green	528	24	12	480
586-2203-204F	Yellow	591	24	19	610
586-2205-204F	Blue	470	24	12	145
586-2206-204F	White	*	24	12	1000
586-220A-204F	White/Yellow	* / 591	24	14	810
586-220B-204F	White/Orange	* / 610	24	14	870

\* Color coordinates: x=0.320, y=0.310

## Cluster Based LED - 15mm Bayonet (BA15s)



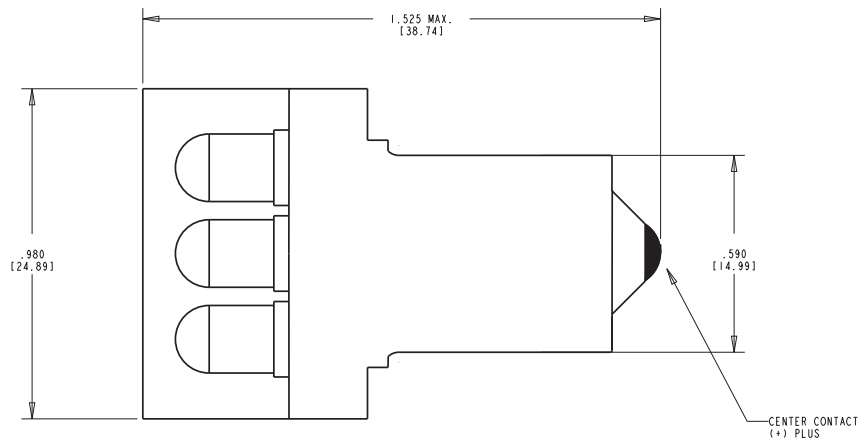
### Features/Benefits:

- RoHS compliant
- Longer life
- Energy savings - 90% less power required
- High reliability - vibration and shock resistant
- Mounts directly into industry standard socket
- No heat generated

### Specifications

<b>Base:</b>	15mm Bayonet (BA15s)
<b>Voltage Options:</b>	14 and 28 V DC
<b>Operating Temp:</b>	-30°C to +85°C (-22°F to +185°F)
<b>Storage Temp:</b>	-40°C to +100°C (-40°F to +212°F)

### Dimensions



Measurements are typical  
Dimension are in Inches [mm]

Part Number	Color	Peak Wavelength (nm)	Voltage (V DC)	Current Typ. (mA)	Intensity Typ. (mcd)
<b>Polarized LED Bulbs</b>					
586-4601-103F	Red	639	14	30	17325
586-4602-103F	Green	525	14	20	21000
586-4603-103F	Yellow	594	14	30	17325
586-4605-103F	Blue	470	14	20	6300
586-4606-103F	White	*	14	20	23800
586-4601-105F	Red	639	28	30	17325
586-4602-105F	Green	525	28	20	21000
586-4603-105F	Yellow	594	28	30	17325
586-4605-105F	Blue	470	28	20	6300
586-4606-105F	White	*	28	20	23800

\* Color coordinates: x=0.310, y=0.320

Incandescent Lamp #	Size	Base Style	Operating Voltage (V DC)	Configuration	Dialight Based LED Part Number				
					Red	Green	Yellow	Blue	White
16	T1 3/4	Wedge Base	6	Polarized	586-1A01-101	586-1A02-101	586-1A03-101	586-1A05-101	586-1A06-101
				Non-Polarized	586-1201-201	586-1202-201	586-1203-201	586-1205-201	586-1206-201
17	T1 3/4	Wedge Base	28	Polarized	586-1A01-105	586-1A02-105	586-1A03-105	586-1A05-105	586-1A06-105
				Non-Polarized	586-1201-205	586-1202-205	586-1203-205	586-1205-205	586-1206-205
18	T1 3/4	Wedge Base	14	Polarized	586-1A01-103	586-1A02-103	586-1A03-103	586-1A05-103	586-1A06-103
				Non-Polarized	586-1201-203	586-1202-203	586-1203-203	586-1205-203	586-1206-203
24	T2	Telephone Slide (Type 3)	24	Non-Polarized	586-3501-204	586-3502-204	586-3503-204	586-3505-204	586-3506-204
37	T1 3/4	Wedge Base	14	Polarized	586-1A01-103	586-1A02-103	586-1A03-103	586-1A05-103	586-1A06-103
				Non-Polarized	586-1201-203	586-1202-203	586-1203-203	586-1205-203	586-1206-203
40, 46	T3 1/4	Miniature Screw	6	Non-Polarized	586-2701-201	586-2702-201	586-2703-201	586-2705-201	586-2706-201
44, 47	T3 1/4	Miniature Bayonet (BA9s)	6	Non-Polarized	586-6401-201	586-6402-201	586-6403-201	586-6405-201	586-6406-201
				High Brightness	586-2401-201	586-2402-201	586-2403-201	586-2405-201	586-2406-201
52	T3 1/4	Miniature Screw	14	Non-Polarized	586-2701-203	586-2702-203	586-2703-203	586-2705-203	586-2706-203
56	T1 3/4	Wedge Base	6	Polarized	586-1A01-101	586-1A02-101	586-1A03-101	586-1A05-101	586-1A06-101
				Non-Polarized	586-1201-201	586-1202-201	586-1203-201	586-1205-201	586-1206-201
67	G-6	Single Contact Bayonet (BA15s)	14	Polarized	586-4601-103	586-4602-103	586-4603-103	586-4605-103	586-4606-103
70, 73, 74	T1 3/4	Wedge Base	14	Polarized	586-1A01-103	586-1A02-103	586-1A03-103	586-1A05-103	586-1A06-103
				Non-Polarized	586-1201-203	586-1202-203	586-1203-203	586-1205-203	586-1206-203
79, 84	T1 3/4	Wedge Base	6	Polarized	586-1A01-101	586-1A02-101	586-1A03-101	586-1A05-101	586-1A06-101
				Non-Polarized	586-1201-201	586-1202-201	586-1203-201	586-1205-201	586-1206-201
85	T1 3/4	Wedge Base	28	Polarized	586-1A01-105	586-1A02-105	586-1A03-105	586-1A05-105	586-1A06-105
				Non-Polarized	586-1201-205	586-1202-205	586-1203-205	586-1205-205	586-1206-205
86	T1 3/4	Wedge Base	6	Polarized	586-1A01-101	586-1A02-101	586-1A03-101	586-1A05-101	586-1A06-101
				Non-Polarized	586-1201-201	586-1202-201	586-1203-201	586-1205-201	586-1206-201
93, 97, 98, 105	G-6 / S-8	Single Contact Bayonet (BA15s)	14	Polarized	586-4601-103	586-4602-103	586-4603-103	586-4605-103	586-4606-103
124	T3 1/4	Wedge Base	14	Non-Polarized	586-2201-203	586-2202-203	586-2203-203	586-2205-203	586-2206-203
152	T3 1/4	Wedge Base	28	Non-Polarized	586-2201-205	586-2202-205	586-2203-205	586-2205-205	586-2206-205
158, 161, 168	T3 1/4	Wedge Base	14	Non-Polarized	586-2201-203	586-2202-203	586-2203-203	586-2205-203	586-2206-203
159	T3 1/4	Wedge Base	6	Non-Polarized	586-2201-201	586-2202-201	586-2203-201	586-2205-201	586-2206-201
181	T3 1/4	Miniature Bayonet (BA9s)	14	Non-Polarized	586-6401-203	586-6402-203	586-6403-203	586-6405-203	586-6406-203
				High Brightness	586-2401-203	586-2402-203	586-2403-203	586-2405-203	586-2406-203
184, 193, 194	T3 1/4	Wedge Base	14	Non-Polarized	586-2201-203	586-2202-203	586-2203-203	586-2205-203	586-2206-203
199	S-8	Single Contact Bayonet (BA15s)	14	Polarized	586-4601-103	586-4602-103	586-4603-103	586-4605-103	586-4606-103

Incandescent Lamp #	Size	Base Style	Operating Voltage (V DC)	Configuration	Dialight Based LED Part Number				
					Red	Green	Yellow	Blue	White
216	T3 1/4	Miniature Bayonet (BA9s)	14	Non-Polarized High Brightness	586-6401-203	586-6402-203	586-6403-203	586-6405-203	586-6406-203
				Non-Polarized	586-2401-203	586-2402-203	586-2403-203	586-2405-203	586-2406-203
259	T3 1/4	Wedge Base	6	Non-Polarized	586-2201-201	586-2202-201	586-2203-201	586-2205-201	586-2206-201
303, 305, 307, 315	S-8	Single Contact Bayonet (BA15s)	28	Polarized	586-4601-105	586-4602-105	586-4603-105	586-4605-105	586-4606-105
313	T3 1/4	Miniature Bayonet (BA9s)	28	Non-Polarized High Brightness	586-6401-205	586-6402-205	586-6403-205	586-6405-205	586-6406-205
				Non-Polarized	586-2401-205	586-2402-205	586-2403-205	586-2405-205	586-2406-205
327	T1 3/4	Midget Flange	28	Polarized	586-1101-105	586-1102-105	586-1103-105	586-1105-105	586-1106-105
328	T1 3/4	Midget Flange	6	Polarized	586-1101-101	586-1102-101	586-1103-101	586-1105-101	586-1106-101
330	T1 3/4	Midget Flange	14	Polarized	586-1101-103	586-1102-103	586-1103-103	586-1105-103	586-1106-103
345, 349, 350	T1 3/4	Midget Flange	6	Polarized	586-1101-101	586-1102-101	586-1103-101	586-1105-101	586-1106-101
376	T1 3/4	Midget Flange	28	Polarized	586-1101-105	586-1102-105	586-1103-105	586-1105-105	586-1106-105
377, 380, 381	T1 3/4	Midget Flange	6	Polarized	586-1101-101	586-1102-101	586-1103-101	586-1105-101	586-1106-101
382	T1 3/4	Midget Flange	14	Polarized	586-1101-103	586-1102-103	586-1103-103	586-1105-103	586-1106-103
385, 387	T1 3/4	Midget Flange	28	Polarized	586-1101-105	586-1102-105	586-1103-105	586-1105-105	586-1106-105
394	T1 3/4	Midget Flange	14	Polarized	586-1101-103	586-1102-103	586-1103-103	586-1105-103	586-1106-103
400, 464, 585, 655, 656, 657	T3 1/4	Wedge Base	28	Non-Polarized	586-2201-205	586-2202-205	586-2203-205	586-2205-205	586-2206-205
658	T3 1/4	Wedge Base	14	Non-Polarized	586-2201-203	586-2202-203	586-2203-203	586-2205-203	586-2206-203
444, 447	T3 1/4	Wedge Base	6	Non-Polarized	586-2201-201	586-2202-201	586-2203-201	586-2205-201	586-2206-201
502	T3 1/4	Miniature Screw	6	Non-Polarized	586-2701-201	586-2702-201	586-2703-201	586-2705-201	586-2706-201
555	T3 1/4	Wedge Base	6	Non-Polarized	586-2201-201	586-2202-201	586-2203-201	586-2205-201	586-2206-201
623	G-6	Single Contact Bayonet (BA15s)	28	Polarized	586-4601-105	586-4602-105	586-4603-105	586-4605-105	586-4606-105
631	G-6	Single Contact Bayonet (BA15s)	14	Polarized	586-4601-103	586-4602-103	586-4603-103	586-4605-103	586-4606-103
755	T3 1/4	Miniature Bayonet (BA9s)	6	Non-Polarized High Brightness	586-6401-201	586-6402-201	586-6403-201	586-6405-201	586-6406-201
				Non-Polarized	586-2401-201	586-2402-201	586-2403-201	586-2405-201	586-2406-201
756	T3 1/4	Miniature Bayonet (BA9s)	14	Non-Polarized High Brightness	586-6401-203	586-6402-203	586-6403-203	586-6405-203	586-6406-203
				Non-Polarized	586-2401-203	586-2402-203	586-2403-203	586-2405-203	586-2406-203
757	T3 1/4	Miniature Bayonet (BA9s)	28	Non-Polarized High Brightness	586-6401-205	586-6402-205	586-6403-205	586-6405-205	586-6406-205
				Non-Polarized	586-2401-205	586-2402-205	586-2403-205	586-2405-205	586-2406-205
1003, 1093, 1095, 1141, 1155, 1156, 1159	B-6/S-8	Single Contact Bayonet (BA15s)	14	Polarized	586-4601-103	586-4602-103	586-4603-103	586-4605-103	586-4606-103

Incandescent Lamp #	Size	Base Style	Operating Voltage	Configuration	Dialight Based LED Part Number				
					Red	Green	Yellow	Blue	White
1203, 1251	S-8	Single Contact Bayonet (BA15s)	28	Polarized	586-4601-105	586-4602-105	586-4603-105	586-4605-105	586-4606-105
1295	S-8	Single Contact Bayonet (BA15s)	14	Polarized	586-4601-103	586-4602-103	586-4603-103	586-4605-103	586-4606-103
1308	B-6	Single Contact Bayonet (BA15s)	28	Polarized	586-4601-105	586-4602-105	586-4603-105	586-4605-105	586-4606-105
1446, 1481, 1487	T3 1/4	Miniature Screw	14	Non-Polarized	586-2701-203	586-2702-203	586-2703-203	586-2705-203	586-2706-203
1488	T3 1/4	Miniature Bayonet (BA9s)	14	Non-Polarized High Brightness	586-6401-203	586-6402-203	586-6403-203	586-6405-203	586-6406-203
				Non-Polarized	586-2401-203	586-2402-203	586-2403-203	586-2405-203	586-2406-203
1591, 1665, 1683, 1691	S-8	Single Contact Bayonet (BA15s)	28	Polarized	586-4601-105	586-4602-105	586-4603-105	586-4605-105	586-4606-105
1813, 1815	T3 1/4	Miniature Bayonet (BA9s)	14	Non-Polarized High Brightness	586-6401-203	586-6402-203	586-6403-203	586-6405-203	586-6406-203
				Non-Polarized	586-2401-203	586-2402-203	586-2403-203	586-2405-203	586-2406-203
1819, 1820	T3 1/4	Miniature Bayonet (BA9s)	28	Non-Polarized High Brightness	586-6401-205	586-6402-205	586-6403-205	586-6405-205	586-6406-205
				Non-Polarized	586-2401-205	586-2402-205	586-2403-205	586-2405-205	586-2406-205
1821	T3 1/4	Miniature Screw	28	Non-Polarized	586-2701-205	586-2702-205	586-2703-205	586-2705-205	586-2706-205
1829, 1843	T3 1/4	Miniature Bayonet (BA9s)	28	Non-Polarized High Brightness	586-6401-205	586-6402-205	586-6403-205	586-6405-205	586-6406-205
				Non-Polarized	586-2401-205	586-2402-205	586-2403-205	586-2405-205	586-2406-205
1847, 1850, 1866	T3 1/4	Miniature Bayonet (BA9s)	6	Non-Polarized High Brightness	586-6401-201	586-6402-201	586-6403-201	586-6405-201	586-6406-201
				Non-Polarized	586-2401-201	586-2402-201	586-2403-201	586-2405-201	586-2406-201
1864, 1873	T3 1/4	Miniature Bayonet (BA9s)	28	Non-Polarized High Brightness	586-6401-205	586-6402-205	586-6403-205	586-6405-205	586-6406-205
				Non-Polarized	586-2401-205	586-2402-205	586-2403-205	586-2405-205	586-2406-205
1889, 1891, 1892, 1893, 1894, 1898	T3 1/4	Miniature Bayonet (BA9s)	14	Non-Polarized High Brightness	586-6401-203	586-6402-203	586-6403-203	586-6405-203	586-6406-203
				Non-Polarized	586-2401-203	586-2402-203	586-2403-203	586-2405-203	586-2406-203
2232, 2233	S-8	Single Contact Bayonet (BA15s)	28	Polarized	586-4601-105	586-4602-105	586-4603-105	586-4605-105	586-4606-105
2306	T1 3/4	Bi-Pin	6	Polarized	586-1301-101	586-1302-101	586-1303-101	586-1305-101	586-1306-101
2312, 2314	T1 3/4	Bi-Pin	28	Polarized	586-1301-105	586-1302-105	586-1303-105	586-1305-105	586-1306-105
2323	T1 3/4	Bi-Pin	6	Polarized	586-1301-101	586-1302-101	586-1303-101	586-1305-101	586-1306-101
2324, 2325	T1 3/4	Bi-Pin	28	Polarized	586-1301-105	586-1302-105	586-1303-105	586-1305-105	586-1306-105





### 250 & 508 Holders use 507 Cartridges and 515 Connectors

- Mounting Hole Size:** 3/8" (9.53mm)
- Light Source:** Neon Cartridge  
Incandescent Cartridge  
LED Cartridge
- Available Colors:** Red, Yellow, White, Clear, Green
- Voltage:** 105-125V AC/DC (Neon)  
10, 14, 28, 48, 120V DC (Incandescent & LED)
- Termination:** Bi-Pins, Solder, turret
- Mounting Style:** Front or Rear

\*For more information please go to [www.dialight.com](http://www.dialight.com)



### 004 Holder uses 004 Caps and 113 Caps

- Mounting Hole Size:** 15/32" (11.91mm)
- Light Source:** T1 3/4 Midget Flange
- Available Colors:** Red, Clear
- Voltage:** 1.35-28V
- Termination:** Solder or Screw
- Mounting Style:** Front

\*For more information please go to [www.dialight.com](http://www.dialight.com)

\*See incandescent lamp cross reference guide for based LED bulbs available

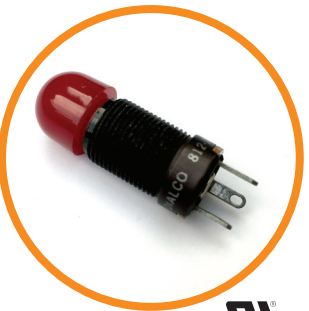


### 101 Holder uses 101 Caps, 111 Caps, 140 Caps

- Mounting Hole Size:** 15/32" (11.91mm)
- Light Source:** T1 3/4 Midget Flange
- Available Colors:** Red, Yellow, White, Clear, Green
- Voltage:** 1.35-28V
- Termination:** Solder
- Mounting Style:** Front or Rear

\*For more information please go to [www.dialight.com](http://www.dialight.com)

\*See incandescent lamp cross reference guide for based LED bulbs available



### 812 Holder uses 812 Caps

- Mounting Hole Size:** 15/32" (11.91mm)
- Light Source:** T1 3/4 Midget Flange
- Available Colors:** Red, Yellow, White, Clear, Green
- Voltage:** 1.35-28V
- Termination:** Solder
- Mounting Style:** Rear

\*For more information please go to [www.dialight.com](http://www.dialight.com)

\*See incandescent lamp cross reference guide for based LED bulbs available



### 137 Holder uses 137 caps

<b>Mounting Hole Size:</b>	15/32" (11.91mm)
<b>Light Source:</b>	T2 Neon Midget Flange
<b>Available Colors:</b>	Red, Yellow, White, Clear
<b>Voltage:</b>	105-125V AC/DC
<b>Termination:</b>	Solder
<b>Mounting Style:</b>	Front

\*For more information please go to [www.dialight.com](http://www.dialight.com)



### 162 Holder uses 162 caps

<b>Mounting Hole Size:</b>	15/32" (11.91mm)
<b>Light Source:</b>	T1 3/4 Midget Flange
<b>Available Colors:</b>	Red, Green, Yellow, White, Clear
<b>Voltage:</b>	1.35-28V
<b>Termination:</b>	Solder
<b>Mounting Style:</b>	Front

\*For more information please go to [www.dialight.com](http://www.dialight.com)

\*See incandescent lamp cross reference guide for based LED bulbs available



### 177 Holder uses 177 caps

<b>Mounting Hole Size:</b>	15/32" (11.91mm)
<b>Light Source:</b>	T1 3/4 Midget Flange
<b>Available Colors:</b>	Red, Green, Yellow, White, Clear
<b>Voltage:</b>	1.35-28V
<b>Termination:</b>	Solder
<b>Mounting Style:</b>	Front

\*For more information please go to [www.dialight.com](http://www.dialight.com)

\*See incandescent lamp cross reference guide for based LED bulbs available



### 270 Holder uses 270 caps, 271 Holder uses 271 caps

<b>Mounting Hole Size:</b>	15/32" (11.91mm)
<b>Light Source:</b>	T1 3/4 Midget Flange Incandescent
<b>Available Colors:</b>	Red, Green, Yellow, Clear
<b>Voltage:</b>	1.35-28V
<b>Termination:</b>	Solder or Screw
<b>Mounting Style:</b>	Front

\*For more information please go to [www.dialight.com](http://www.dialight.com)

\*See incandescent lamp cross reference guide for based LED bulbs available



### 021 Series

<b>Mounting Hole Size:</b>	11/16" (17.46mm)
<b>Light Source:</b>	T3 1/4 Miniature Bayonet (BA9s)
<b>Available Colors:</b>	Clear
<b>Voltage:</b>	2-120V
<b>Termination:</b>	Solder or Screw
<b>Mounting Style:</b>	Front

\*For more information please go to [www.dialight.com](http://www.dialight.com)

\*See incandescent lamp cross reference guide for based LED bulbs available



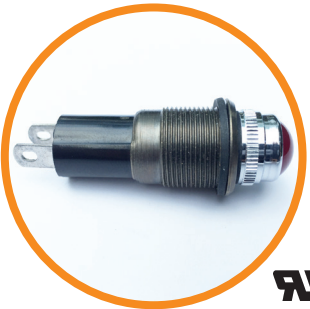


### 081 Holder uses 081 Caps, 052 Caps, 095 Caps, 135 Caps

<b>Mounting Hole Size:</b>	11/16" (17.46mm)
<b>Light Source:</b>	T3 1/4 Miniature Neon Bayonet
<b>Available Colors:</b>	Red, Yellow, White, Clear
<b>Voltage:</b>	105-125V AC/DC
<b>Termination:</b>	Solder or Screw
<b>Mounting Style:</b>	Front

\*For more information please go to [www.dialight.com](http://www.dialight.com)

\*See incandescent lamp cross reference guide for based LED bulbs available



### 125 Holder uses 125 Caps

<b>Mounting Hole Size:</b>	11/16" (17.46mm)
<b>Light Source:</b>	T3 1/4 Miniature Bayonet (BA9s)
<b>Available Colors:</b>	Red, Yellow, Green, White, Clear
<b>Voltage:</b>	2-120V
<b>Termination:</b>	Solder or Screw
<b>Mounting Style:</b>	Front

\*For more information please go to [www.dialight.com](http://www.dialight.com)

\*See incandescent lamp cross reference guide for based LED bulbs available



### 125 Holder uses 125 Caps

<b>Mounting Hole Size:</b>	11/16" (17.46mm)
<b>Light Source:</b>	T3 1/4 Miniature Neon Bayonet
<b>Available Colors:</b>	Red, Yellow, White, Clear
<b>Voltage:</b>	105-125 AC/DC
<b>Termination:</b>	Solder or Screw, Quick-Connect
<b>Mounting Style:</b>	Front

\*For more information please go to [www.dialight.com](http://www.dialight.com)

\*See incandescent lamp cross reference guide for based LED bulbs available



### 123 Holder uses 123 Caps

<b>Mounting Hole Size:</b>	11/16" (17.46mm)
<b>Light Source:</b>	T3 1/4 Miniature Bayonet (BA9s)
<b>Available Colors:</b>	Red, Yellow, Green, White, Clear
<b>Voltage:</b>	2-120V
<b>Termination:</b>	Solder or Screw
<b>Mounting Style:</b>	Front

\*For more information please go to [www.dialight.com](http://www.dialight.com)

\*See incandescent lamp cross reference guide for based LED bulbs available



### 095 Holder uses 095 caps, 135 caps

<b>Mounting Hole Size:</b>	11/16" (17.46mm)
<b>Light Source:</b>	T3 1/4 Miniature Bayonet (BA9s)
<b>Available Colors:</b>	Red, Yellow, Green, White, Clear
<b>Voltage:</b>	2-120V
<b>Termination:</b>	Solder or Screw, Quick-Connect
<b>Mounting Style:</b>	Front

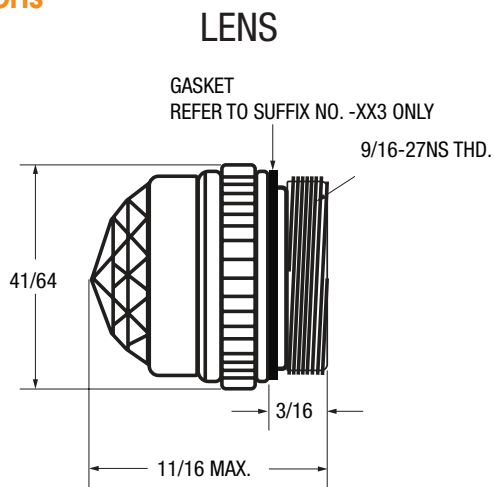
\*For more information please go to [www.dialight.com](http://www.dialight.com)

\*See incandescent lamp cross reference guide for based LED bulbs available

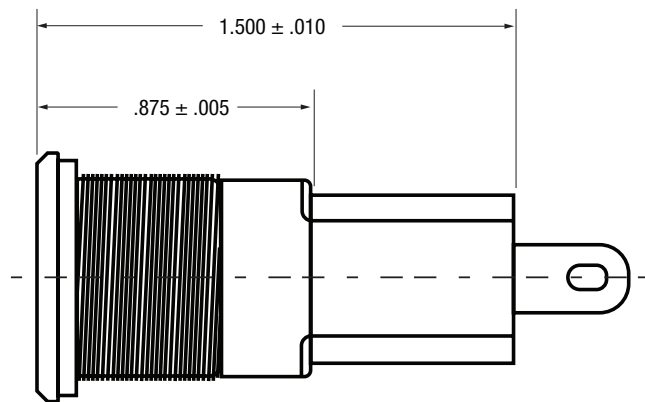


### Dimensions

inches [mm]



### BASE



### Application

Dialight's 081 Series Jewel Cap is designed to give all your applications a nice clean retro look. These lenses are designed for a variety of applications such as:

- Musical equipment
- Amplifiers
- Main and remote power indication
- Instrumentation

... and many more!

### Lens Information

#### Mechanical

<b>Mounting Torque:</b>	3 in/lbs
<b>Thread:</b>	9/16 - 27NS
<b>Lens Material:</b>	Polycarbonate

### Housing Information

#### Mechanical

<b>Mounting Hole Size:</b>	0.5875" (17.46mm)
<b>Mounting Torque:</b>	20 in/lbs

#### Specifications

<b>Electrical Connection:</b>	Solder Terminals, Screw Terminals
<b>Terminals:</b>	Nickel—Tin Plated
<b>Lock Washer:</b>	Steel—Zinc Plated
<b>Nut:</b>	Brass—Nickel Plated

Dialight reserves the right to make changes at any time in order to supply the best product possible. The most current version of this document will always be available at: [www.dialightsignalsandcomponents.com](http://www.dialightsignalsandcomponents.com)

**Warranty Statement:** Except for the warranty expressly provided for at: <https://www.dialight.com/resources/warranties/>, Dialight disclaims any and all other warranties, express or implied, including, without limitation, any warranties of merchantability, fitness for a particular purpose, title, and noninfringement.

## Ordering Information 081 Series

### Jewel Cap Lens

Dialight P/N	Watertight P/N	Color	Plating
081-0431-100		● Red	White Nickel
081-0431-300	081-0431-303		Polished Chrome
081-0432-100		● Green	White Nickel
081-0432-300	081-0432-303		Polished Chrome
081-0433-100		● Yellow	White Nickel
081-0433-200			Black Nickel
081-0433-300	081-0433-303		Polished Chrome
081-0434-100		● Blue	White Nickel
081-0434-300	081-0434-303		Polished Chrome
081-0435-100		○ White	White Nickel
081-0435-300	081-0435-303		Polished Chrome
081-0436-100		● Light Yellow	White Nickel
081-0437-100		○ Clear	White Nickel
081-0437-300	081-0437-303		Polished Chrome

### Housing/Base Options

Dialight P/N	Termination	Bulb Type	Bulb Size
095-0410-09-102	Solder Terminals	Incandescent	T-3 1/4
095-0410-09-301	Solder Terminals		
095-1310-09-101	Screw Terminals		
095-1310-09-301	Screw Terminals		
081-0408-01-140	Solder Terminals	Neon	
081-0408-01-341	Solder Terminals		
081-1308-01-341	Screw Terminals		



### 031 Holder uses 031 Caps

**Mounting Hole Size:** 1" (25.40mm)  
**Light Source:** S-6 Candelabra Screw Incandescent  
**Available Colors:** Red, Yellow, Green, White, Clear  
**Voltage:** 6-250V AC/DC  
**Termination:** Screw  
**Mounting Style:** Front

\*For more information please go to [www.dialight.com](http://www.dialight.com)



### 051 Holder uses 051 Caps

**Mounting Hole Size:** 1" (25.40mm)  
**Light Source:** T3 1/4 Miniature Bayonet (BA9s)  
**Available Colors:** Red, Yellow, Green, White, Clear  
**Voltage:** 2-120V  
**Termination:** Solder or Screw  
**Mounting Style:** Front

\*For more information please go to [www.dialight.com](http://www.dialight.com)

\*See incandescent lamp cross reference guide for based LED bulbs available



### 080 Holder uses 080 Caps, 051 Caps

**Mounting Hole Size:** 1" (25.40mm)  
**Light Source:** S-6 Candelabra Screw Incandescent  
**Available Colors:** Red, Yellow, Green, White, Clear  
**Voltage:** 6-250V AC/DC  
**Termination:** Solder or Screw  
**Mounting Style:** Front

\*For more information please go to [www.dialight.com](http://www.dialight.com)



### 103 Holder uses 103 Caps

**Mounting Hole Size:** 1" (25.40mm)  
**Light Source:** S-6 Candelabra Screw Incandescent  
**Available Colors:** Red, Yellow, Green, White, Clear  
**Voltage:** 6-250V AC/DC  
**Termination:** Solder or Screw  
**Mounting Style:** Front

\*For more information please go to [www.dialight.com](http://www.dialight.com)

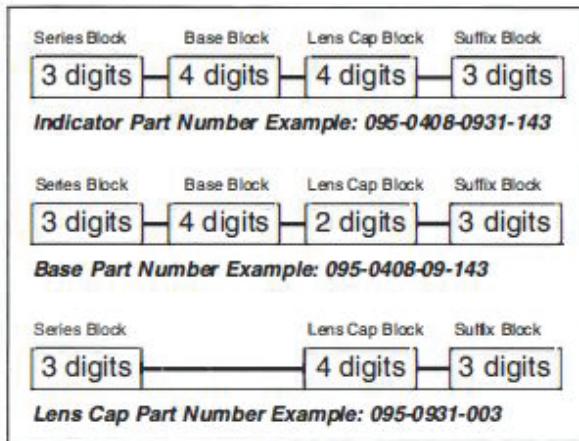


### 103 Holder uses 103 Caps

**Mounting Hole Size:** 1" (25.40mm)  
**Light Source:** S-6 Double Contact Bayonet  
**Available Colors:** Red, Yellow, Green, White, Clear  
**Voltage:** 24-250V AC/DC  
**Termination:** Solder or Screw  
**Mounting Style:** Front

\*For more information please go to [www.dialight.com](http://www.dialight.com)

Dialight Neon and Incandescent Panel Mount Indicators are available as complete assemblies from our distributor partners or from us as separate lens cap and base. Our Part Numbering System shown below describes how valid Dialight part numbers are configured. The Dialight Part Numbering System should not be used for creating part numbers since not all combinations are able to be manufactured. Please consult Dialight or our stocking distributors for those items not found in this catalog.

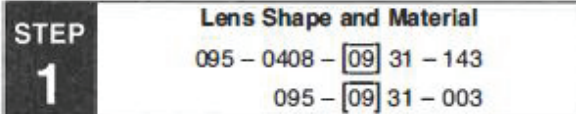


The third and fourth digits of the Lens Cap Block designate the lens finish and color respectively. In this example, 31 = a transparent red lens.

<b>Lens Finish</b>	<b>Lens Color</b>
1 - Back Frosted*	1 - Red
3 - Unfrosted or Transparent	2 - Green
5 - Light Translucent	3 - Yellow (Amber)
7 - Dark Translucent**	4 - Blue
9 - Internal Fluting	5 - White
	6 - Light Yellow
	7 - Clear (Colorless)

\* Not available with Lens Color Option 5 (White)

\*\* Not available with Lens Color Option 7 (Clear/Colorless)



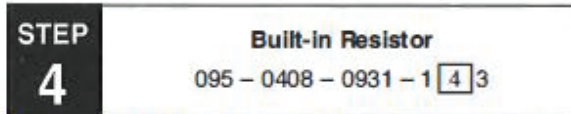
The first two digits in the Lens Cap Block of the indicator, base or cap part numbers designate the lens shape and material. In this example, 09 = plastic stovepipe.

Lens Code	Description
00	Rectangular, plastic
01	Convex, polycarbonate
02	Flat, polycarbonate
03	Flat, plastic
04	Convex, faceted, polycarbonate
05	Torpedo, polycarbonate
06	Convex, plastic
08	Dome, plastic
09	Stovepipe, plastic
11	Stovepipe, polycarbonate with bezel
12	Dome, polycarbonate
13	Torpedo faceted, polycarbonate
14	Short cylindrical, plastic
15	Long cylindrical, plastic
16	Long cylindrical, fresnel, plastic
18	Square, plastic
21	Faceted, plastic
29	Light shield
31	Stovepipe, polycarbonate
32	Short cylindrical, polycarbonate
33	Short cylindrical, fresnel, plastic
34	Rectangular, plastic
35	Short cylindrical, fresnel, polycarbonate
37	Short stovepipe, fresnel, plastic
50	Black opaque side wall



The first digit of the Suffix Block designates metal finish. In this example, 1 = white nickel plated metal finish.

<b>Metal Finish</b>	
0 - None	4 - Satin Chrome
1 - White Nickel	5 - Black Anodized
2 - Black Nickel	6 - Clear Anodized
3 - Polished Chrome	7 - Chromate



The second digit of the Suffix Block designates built-in resistor. In this neon indicator example, 4 = 56K internal resistor.

0 - None	4 - 56K
1 - 2K	6 - 68K
2 - 27K	7 - 100K
3 - 33K	



The third digit of the Suffix Block designates type of hardware. In this example, 3 = watertight.

0 - None	4 - Aluminum
1 - Brass	5 - Three rings
2 - Steel	6 - Ring, lockwasher, nut
3 - Watertight	7 - Insulated mounting

## Military Panel Mount Indicators

**LHC** = lampholder with cap

**LH** = lampholder only

**LC** = lens cap only

All indicators must meet or exceed Military specifications.

All lamps are daylight viewable.



### 359 Series LH73/1, LC11

<b>Mounting Hole Size:</b>	15/32" (11.91mm)
<b>Light Source:</b>	T1 3/4 Midget
<b>Available Colors:</b>	Red, Green, Yellow
<b>Voltage:</b>	2.7-28V
<b>Termination:</b>	Solder Tabs
<b>Mounting Style:</b>	Nut and Washer
<b>Relampable:</b>	Yes

\*For more information please go to [www.dialight.com](http://www.dialight.com)

\*See incandescent lamp cross reference guide for based LED bulbs available



### 360 Series LH73/1, LC11, LC12, LC29

<b>Mounting Hole Size:</b>	15/32" (11.91mm)
<b>Light Source:</b>	T1 3/4 Midget
<b>Available Colors:</b>	Red, Green, Yellow
<b>Voltage:</b>	2.7-28V
<b>Termination:</b>	Solder Tabs
<b>Mounting Style:</b>	Nut and Washer
<b>Relampable:</b>	Yes

\*For more information please go to [www.dialight.com](http://www.dialight.com)

\*See incandescent lamp cross reference guide for based LED bulbs available



### 361 Series LH74/1, LC13

<b>Mounting Hole Size:</b>	15/32" (11.91mm)
<b>Light Source:</b>	T2 (C7A) Neon
<b>Available Colors:</b>	Red, Yellow, Clear
<b>Voltage:</b>	120 VAC/DC
<b>Termination:</b>	Solder Tabs
<b>Mounting Style:</b>	Nut and Washer
<b>Relampable:</b>	Yes

\*For more information please go to [www.dialight.com](http://www.dialight.com)



### 363 Series LH73/2, LC25

<b>Mounting Hole Size:</b>	15/32" (11.91mm)
<b>Light Source:</b>	T1 3/4 Midget
<b>Available Colors:</b>	Red, Yellow, Clear
<b>Voltage:</b>	2.7-28V
<b>Termination:</b>	Solder Tabs
<b>Mounting Style:</b>	Nut and Washer
<b>Relampable:</b>	Yes

\*For more information please go to [www.dialight.com](http://www.dialight.com)

\*See incandescent lamp cross reference guide for based LED bulbs available

**LHC** = lampholder with cap

**LH** = lampholder only

**LC** = lens cap only

All indicators must meet or exceed Military specifications.

All lamps are daylight viewable.



### 367 Series LH89/1, LC35

<b>Mounting Hole Size:</b>	15/32" (11.91mm)
<b>Light Source:</b>	T1 3/4 Midget
<b>Available Colors:</b>	Red, Green, Yellow
<b>Voltage:</b>	2.7-28V
<b>Termination:</b>	Solder Tabs
<b>Mounting Style:</b>	Nut and Washer
<b>Relampable:</b>	Yes
<b>Features:</b>	Oiltight

\*For more information please go to [www.dialight.com](http://www.dialight.com)

\*See incandescent lamp cross reference guide for based LED bulbs available



### 368 and 369 Series LH89/1, LC36, LC37

<b>Mounting Hole Size:</b>	15/32" (11.91mm)
<b>Light Source:</b>	T1 3/4 Midget
<b>Available Colors:</b>	Red, Green, Yellow
<b>Voltage:</b>	2.7-28V
<b>Termination:</b>	Solder Tabs
<b>Mounting Style:</b>	Nut and Washer
<b>Relampable:</b>	Yes
<b>Features:</b>	Oiltight

\*For more information please go to [www.dialight.com](http://www.dialight.com)

\*See incandescent lamp cross reference guide for based LED bulbs available



### 800 Series MS25041

<b>Mounting Hole Size:</b>	15/32" (11.91mm)
<b>Light Source:</b>	T1 3/4 Midget
<b>Available Colors:</b>	Red, Green, Yellow
<b>Voltage:</b>	2.7-28V
<b>Termination:</b>	Solder Tabs
<b>Mounting Style:</b>	Nut and Washer
<b>Relampable:</b>	Yes
<b>Features:</b>	Press to Test

\*For more information please go to [www.dialight.com](http://www.dialight.com)

\*See page 74-76 for Based LED Bulbs Available



### 801 Series MS25041

<b>Mounting Hole Size:</b>	15/32" (11.91mm)
<b>Light Source:</b>	T1 3/4 Midget
<b>Available Colors:</b>	Red, Green, Yellow
<b>Voltage:</b>	2.7-28V
<b>Termination:</b>	Solder Tabs
<b>Mounting Style:</b>	Nut and Washer
<b>Relampable:</b>	Yes
<b>Features:</b>	Press to Test

\*For more information please go to [www.dialight.com](http://www.dialight.com)

\*See incandescent lamp cross reference guide for based LED bulbs available

**LHC** = lampholder with cap

**LH** = lampholder only

**LC** = lens cap only

All indicators must meet or exceed Military specifications.

All lamps are daylight viewable.



### 803 Series MS25331

<b>Mounting Hole Size:</b>	5/8" (15.88mm)
<b>Light Source:</b>	T3 1/4 Mini Bayonet (BA9s)
<b>Available Colors:</b>	Red, Green, Yellow, Clear, Blue
<b>Voltage:</b>	2.7-28V
<b>Termination:</b>	Solder Tabs
<b>Mounting Style:</b>	Nut and Washer
<b>Relampable:</b>	Yes
<b>Features:</b>	Press to Test

\*For more information please go to [www.dialight.com](http://www.dialight.com)

\*See incandescent lamp cross reference guide for based LED bulbs available



### 804 Series MS25331

<b>Mounting Hole Size:</b>	5/8" (15.88mm)
<b>Light Source:</b>	T3 1/4 Mini Bayonet
<b>Available Colors:</b>	Red, Green, Yellow, Clear, Blue
<b>Voltage:</b>	2.7-28V
<b>Termination:</b>	Solder Tabs
<b>Mounting Style:</b>	Nut and Washer
<b>Relampable:</b>	Yes
<b>Features:</b>	Press to Test

\*For more information please go to [www.dialight.com](http://www.dialight.com)

\*See incandescent lamp cross reference guide for based LED bulbs available



### 373 Series LH76/1, LH 6/2, LH76/3, LC14

<b>Mounting Hole Size:</b>	11/16" (17.46mm)
<b>Light Source:</b>	T3 1/4 Neon, T3 1/4 Mini Bayonet (BA9s)
<b>Available Colors:</b>	Red, Green, Yellow, White, Clear, Blue
<b>Voltage:</b>	2-120V
<b>Termination:</b>	Solder Tabs
<b>Mounting Style:</b>	Nut and Washer
<b>Relampable:</b>	Yes
<b>Features:</b>	Watertight Lens available for Semi and blackout

\*For more information please go to [www.dialight.com](http://www.dialight.com)



### 375 Series LH76/1, LH7 6/2, LH7 6/3, LC17

<b>Mounting Hole Size:</b>	11/16" (17.46mm)
<b>Light Source:</b>	T3 1/4 Neon, T3 1/4 Mini Bayonet (BA9s)
<b>Available Colors:</b>	Red, Green, Yellow, White, Clear, Blue
<b>Voltage:</b>	2-120V
<b>Termination:</b>	Solder Tabs
<b>Mounting Style:</b>	Nut and Washer
<b>Relampable:</b>	Yes
<b>Features:</b>	Watertight Lens available for Semi and blackout

\*For more information please go to [www.dialight.com](http://www.dialight.com)



**LHC** = lampholder with cap

**LH** = lampholder only

**LC** = lens cap only

All indicators must meet or exceed Military specifications.

All lamps are daylight viewable.



### 376 Series LH76/1, LH76/2, LH76/3, LC14, LC17, LC18

<b>Mounting Hole Size:</b>	11/16" (17.46mm)
<b>Light Source:</b>	T3 1/4 Neon, T3 1/4 Mini Bayonet (BA9s)
<b>Available Colors:</b>	Red, Green, Yellow, White, Clear, Blue
<b>Voltage:</b>	2-120V
<b>Termination:</b>	Solder Tabs
<b>Mounting Style:</b>	Nut and Washer
<b>Relampable:</b>	Yes
<b>Features:</b>	Watertight Lens available for Semi and blackout

\*For more information please go to [www.dialight.com](http://www.dialight.com)



### 378 Series LH79/1, LC21

<b>Mounting Hole Size:</b>	1" (25.40mm)
<b>Light Source:</b>	S-6 Double Contact Bayonet
<b>Available Colors:</b>	Red, Green, Yellow, White, Clear, Blue
<b>Voltage:</b>	S6-32V
<b>Termination:</b>	Solder Tabs
<b>Mounting Style:</b>	Nut and Washer
<b>Relampable:</b>	Yes
<b>Features:</b>	Lens available for Semi and blackout

\*For more information please go to [www.dialight.com](http://www.dialight.com)



### 379 Series LH79/1, LC24

<b>Mounting Hole Size:</b>	1" (25.40mm)
<b>Light Source:</b>	S-6 Double Contact Bayonet
<b>Available Colors:</b>	Red, Green, Yellow, White, Clear, Blue
<b>Voltage:</b>	24-250V
<b>Termination:</b>	Solder Tabs
<b>Mounting Style:</b>	Nut and Washer
<b>Relampable:</b>	Yes
<b>Features:</b>	Lens available for Semi and blackout

\*For more information please go to [www.dialight.com](http://www.dialight.com)



### 380 and 381 Series LH80/1, LC24

<b>Mounting Hole Size:</b>	1" (25.40mm)
<b>Light Source:</b>	S-6 Double Contact Bayonet
<b>Available Colors:</b>	Red, Green, Yellow, White, Clear, Blue
<b>Voltage:</b>	24-250V
<b>Termination:</b>	Solder Tabs
<b>Mounting Style:</b>	Nut and Washer
<b>Relampable:</b>	Yes
<b>Features:</b>	Lens available for Semi and blackout

\*For more information please go to [www.dialight.com](http://www.dialight.com)

### Military Specification

#### MIL-DTL-3661C-Lampholders, Indicator Lights, Indicator-Light Housings, Indicator-Light Lenses

Military Designation	Dialight Part No.	Military Designation	Dialight Part No.	Military Designation	Dialight Part No.
LC11BN2	178-0334-500	LC17GN3	203-0132-203	LC23BN3	209-0134-203
LC11BT2	178-0374-500	LC17RD3	203-0111-203	LC23CD3	209-0117-203
LC11CN2	*178-0337-500	LC17RN3	*203-0131-203	LC23CN3	*209-0137-203
LC11GN2	178-0332-500	LC17WT3	*203-0135-203	LC23GD3	209-0112-203
LC11GT2	178-0372-500	LC17YD3	203-0113-203	LC23GN3	209-0132-203
LC11RN2	*178-0331-500	LC17YN3	*203-0133-203	LC23RD3	209-0111-203
LC11RT2	178-0371-500	LC18BD3	204-0114-203	LC23RN3	*209-0131-203
LC11WT2	178-0375-500	LC18BN3	204-0134-203	LC23WT3	*209-0135-203
LC11YN2	*178-0333-500	LC18CD3	204-0117-203	LC23YD3	209-0113-203
LC11YT2	178-0373-500	LC18CN3	*204-0137-203	LC23YN3	*209-0133-203
LC12BN2	162-0934	LC18GD3	204-0112-203	LC24BD3	210-0114-203
LC12BT2	162-0974	LC18GN3	204-0132-203	LC24BN3	210-0134-203
LC12CN2	*162-0937	LC18RD3	204-0111-203	LC24CD3	210-0117-203
LC12GN2	162-0932	LC18RN3	*204-0131-203	LC24CN3	*210-0137-203
LC12GT2	162-0972	LC18YD3	204-0113-203	LC24GD3	210-0112-203
LC12RN2	*162-0931	LC18YN3	*204-0133-203	LC24GN3	210-0132-203
LC12RT2	162-0971	LC19BD3	169-1114-203	LC24RD3	210-0111-203
LC12WT2	162-0975	LC19BN3	169-1134-203	LC24RN3	*210-0131-203
LC12YN2	*162-0933	LC19CD3	169-1117-203	LC24WT3	*210-0135-203
LC12YT2	162-0973	LC19CN3	*169-1137-203	LC24YD3	210-0113-203
LC13CN2	*137-0937	LC19GD3	169-1112-203	LC24YN3	*210-0133-203
LC13RN2	*137-0931	LC19GN3	169-1132-203	LC25BN2	239-0334-500
LC13WT2	*137-0935	LC19RD3	169-1111-203	LC25BT2	239-0374-500
LC13YN2	*137-0933	LC19RN3	*169-1131-203	LC25CN2	*239-0337-500
LC14BD3	081-0114-203	LC19WT3	*169-1135-203	LC25GN2	239-0332-500
LC14BN3	081-0134-203	LC19YD3	169-1113-203	LC25GT2	239-0372-500
LC14CD3	081-0117-203	LC19YN3	*169-1133-203	LC25RN2	*239-0331-500
LC14CN3	*081-0137-203	LC20BN3	169-1194-203	LC25RT2	239-0371-500
LC14GD3	081-0112-203	LC20CN3	*169-1197-203	LC25WT2	239-0375-500
LC14GN3	081-0132-203	LC20GN3	169-1192-203	LC25YN2	*239-0333-500
LC14RD3	081-0111-203	LC20RN3	*169-1191-203	LC25YT2	239-0373-500
LC14RN3	*081-0131-203	LC20WT3	*169-1195-203	LC29BN2	162-1434
LC14WT3	*081-0135-203	LC20YN3	*169-1193-203	LC29BT2	162-1474
LC14YD3	081-0113-203	LC21BD3	051-0114-203	LC29CN2	*162-1437
LC14YN3	*081-0133-203	LC21BN3	051-0134-203	LC29GN2	162-1432
LC15BD3	026-1114-203	LC21CD3	051-0117-203	LC29GT2	162-1472
LC15BN3	026-1134-203	LC21CN3	*051-0137-203	LC29RN2	*162-1431
LC15CN3	*026-1137-203	LC21GD3	051-0112-203	LC29RT2	162-1471
LC15GD3	026-1112-203	LC21GN3	051-0132-203	LC29WT2	162-1475
LC15GN3	026-1132-203	LC21RD3	051-0111-203	LC29YN2	*162-1433
LC15RD3	026-1111-203	LC21RN3	*051-0131-203	LC29YT2	162-1473
LC15RN3	*026-1131-203	LC21WT3	*051-0135-203	LC30BN3	250-3534-500
LC15WT3	*026-1135-203	LC21YD3	051-0113-203	LC30GN3	250-3532-500
LC15YD3	026-1113-203	LC21YN3	*051-0133-203	LC30RN3	250-3531-500
LC15YN3	*026-1133-203	LC22BD3	080-0514-203	LC30WT3	250-3535-500
LC16BN3	026-1194-203	LC22BN3	080-0534-203	LC30YN3	250-3533-500
LC16CN3	*026-1197-203	LC22CD3	080-0517-203	LC32BT2	250-1474-500
LC16GN3	026-1192-203	LC22CN3	*080-0537-203	LC32GT2	250-1472-500
LC16RN3	*026-1191-203	LC22GD3	080-0512-203	LC32RT2	250-1471-500
LC16WT3	*026-1195-203	LC22GN3	080-0532-203	LC32WT2	250-1475-500
LC16YN3	*026-1193-203	LC22RD3	080-0511-203	LC32YT2	250-1473-500
LC17BD3	203-0114-203	LC22RN3	*080-0531-203	LC33CN2	*130-0937-003
LC17BN3	203-0134-203	LC22WT3	*080-0535-203	LC33RN2	*130-0931-003
LC17CD3	203-0117-203	LC22YD3	080-0513-203	LC33WT2	*130-0935-003
LC17CN3	*203-0137-203	LC22YN3	*080-0533-203	LC33YN2	*130-0933-003
LC17GD3	203-0112-203	LC23BD3	209-0114-203	LC34CN2/DO2	*271-0171

\* Can be used with Based LED Replacement Lamps

### Military Specification

#### MIL-DTL-3661C-Lampholders, Indicator Lights, Indicator-Light Housings, Indicator-Light Lenses

Military Designation	Dialight Part No.	Military Designation	Dialight Part No.	Military Designation	Dialight Part No.
LC34CN2/SO2	*271-0272	LH90/1	370-8738-504	MS18236-1YN	507-5338-0933-630
LC34EN2/DO2	*271-0111	LH90/2	371-8738-14-504	MS18236-2CN	507-5337-0937-670
LC34EN2 /EN2	*271-3111	LH90/3	371-8760-14-504	MS18236-2RN	507-5337-0931-670
LC34EN2/SO2	*271-0212	LH92/1	271-8430-702	MS18236-2WT	507-5337-0935-670
LC35BN2	128-0934-003	LHC82/1BT2	252-9951-0974	MS18236-2YN	507-5337-1531-670
LC35BT2	128-0974-003	LHC82/1CN2	252-9951-0937	MS18237-1CN	507-5338-1537-630
LC36GD2	160-0112-203	LHC82/1GT2	252-9951-0972	MS18237-1RN	507-5338-1531-630
LC36RD2	160-0111-203	LHC82/1RT2	252-9951-0971	MS18237-1WT	507-5338-1535-630
LC36YD2	160-0113-203	LHC82/1WT2	252-9951-0975	MS18237-1YN	507-5338-1533-630
LC37BD2	161-0114-203	LHC82/1YT2	252-9951-0973	MS18237-2CN	507-5337-1537-670
LC37CD2	161-0117-203	MS18235-1BT	507-3909-1474-600	MS18237-2RN	507-5337-1531-670
LC37GD2	161-0112-203	MS18235-1CN	507-3909-1437-600	MS18237-2WT	507-5337-1535-670
LC37RD2	161-0111-203	MS18235-1GT	507-3909-1472-600	MS18237-2YN	507-5337-1533-670
LC37YD2	161-0113-203	MS18235-1RT	507-3909-1471-600	MS18238-1	507-6022-1437-600
LH73/1	359-8430-09-502	MS18235-1WT	507-3909-1475-600	MS18238-2	507-6023-1437-600
LH73/2	362-8430-09-702	MS18235-1YT	507-3909-1473-600	MS25256-2	*162-8430-0933-502
LH74/1	361-8836-09-552	MS18235-2BT	507-3914-1474-600	MS25256-4	162-8430-0932-502
LH74/2	361-8864-09-522	MS18235-2CN	507-3914-1437-600	MS25256-6	*162-8430-0931-502
LH74/3	364-8836-09-752	MS18235-2GT	507-3914-1472-600	MS25256-8	*162-8430-0937-502
LH74/4	364-8864-09-722	MS18235-2RT	507-3914-1471-600	MS25256-10	162-8430-0975-502
LH76/1	373-0408-01-273	MS18235-2WT	507-3914-1475-600	MS25256-12	162-8430-0934-502
LH76/2	373-0463-01-223	MS18235-2YT	507-3914-1473-600	MS25257-2	137-8836-0933-552
LH76/3	373-0410-01-203	MS18235-3BT	507-3918-1474-600	MS25257-4	137-8836-0931-552
LH77/1	377-0408-11-273	MS18235-3CN	507-3918-1437-600	MS25257-6	137-8836-0937-552
LH77/2	377-0463-11-223	MS18235-3GT	507-3918-1472-600	MS25446-2**	252-9951-0974
LH77/3	377-0410-11-203	MS18235-3RT	507-3918-1471-600	MS25446-3**	252-9951-0972
LH79/1	378-3404-01-203	MS18235-3WT	507-3918-1475-600	MS25446-4**	252-9951-0971
LH80/1	378-3402-01-203	MS18235-3YT	507-3918-1473-600	MS25446-5**	252-9951-0975
LH88/1	366-8836-09-553	MS18236-1CN	507-5338-0937-630	MS25446-6**	252-9951-0973
LH88/2	366-8864-09-523	MS18236-1RN	507-5338-0931-630	MS25446-7**	252-9951-0937
LH89/1	367-8430-09-503	MS18236-1WT	507-5338-0935-630		

\*\* See LHC82/1

### Military Specification

#### MIL-L-7806-Light, Panel Plastic Plate Lighting

MS25010A11A	*270-1930-0111-702	MS25010B11A	*270-1830-0111-702	MS25010C11B	*271-8430-0111-702
MS25010A12A	*270-1930-0171-702	MS25010B12A	*270-1830-0171-702	MS25010C12B	*271-8430-0171-702
MS25010A13A	*270-1930-3111-702	MS25010B13A	*270-1830-3111-702	MS25010C13B	*271-8430-3111-702
MS25010A14A	CONSULT FACTORY	MS25010B14A	CONSULT FACTORY	MS25010C14B	*271-8430-3171-702
MS25010A15A	*270-1930-0212-702	MS25010B15A	*270-1830-0212-702	MS25010C15B	*271-8430-0212-702
MS25010A16A	*270-1930-0272-702	MS25010B16A	*270-1830-0272-702	MS25010C16B	*271-8430-0272-702

### Military Specification

#### MIL-L-7961C-Light, Indicator, Press-to-Test

MS25041-1	*801-1030-0337-504	MS25041-7	800-1030-0332-504	MS25331-3	804-1710-0332-504
MS25041-2	*801-1030-0331-504	MS25041-8	*800-1030-0333-504	MS25331-4	804-1710-0333-504
MS25041-3	801-1030-0332-504	MS25041-10	801-1030-0334-504	MS25331-5	803-1710-0337-504
MS25041-4	*801-1030-0333-504	MS25041-11	800-1030-0334-504	MS25331-6	803-1710-0331-504
MS25041-5	*800-1030-0337-504	MS25331-1	804-1710-0337-504	MS25331-7	803-1710-0332-504
MS25041-6	*800-1030-0331-504	MS25331-2	804-1710-0331-504	MS25331-8	803-1710-0333-504

\* Can be used with Based LED Replacement Lamps

## North American HQ

1501 Route 34 South  
Farmingdale, NJ 07727  
Tel: 732-919-3119  
Fax: 732-751-5778  
info@dialight.com