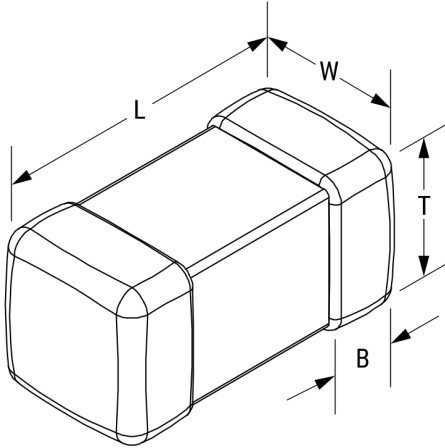


Z0805C8ROGPWST

Aliases (Z0805C8ROGPWST)

Not for New Design

KEMET, Z-PWS, Ferrite Beads, Noise Suppression, 10 mOhms



Click [here](#) for the 3D model.

General Information

Series	Z-PWS
Style	SMD Chip
Description	Chip Bead, Power Line
Features	For GHz Range Applications
RoHS	Yes
Notes	Last Order Date June 30, 2023.

Specifications

Impedance	8 Ohms (100 MHz)
Impedance Tolerance	30%
Ripple Current	2000 mA (MAX)
Temperature Range	-40/+125°C

Dimensions

Chip Size	0805
L	2mm +/-0.2mm
W	1.25mm +/-0.2mm
T	0.85mm +/-0.2mm
B	0.5mm +/-0.3mm

Packaging Specifications

Packaging	T&R
Packaging Quantity	4000

Statements of suitability for certain applications are based on our knowledge of typical operating conditions for such applications, but are not intended to constitute - and we specifically disclaim - any warranty concerning suitability for a specific customer application or use. This information is intended for use only by customers who have the requisite experience and capability to determine the correct products for their application. Any technical advice inferred from this information or otherwise provided by us with reference to the use of our products is given gratis, and we assume no obligation or liability for the advice given or results obtained.