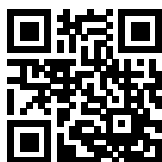


# Compact filtered power entry module



- Complies with IEC/EN 60601-1
- Rated currents up to 10 A
- Single or dual-fuse holder
- Fuses Ø5 x 20 mm
- 2-pole rocker switch
- General purpose application
- Optional earth line choke (E type)
- Optional medical versions (B type)



### Performance indicators

Attenuation performance



Rated current [A]



### Approvals & Compliances



(CQC except HI-types)

### Features and Benefits

- High conducted attenuation performance, based on chokes with high saturation resistance and excellent thermal behavior
- Rear/front or snap-in mounting
- Single or dual-fuse holder
- 2-pole rocker switch
- Custom-specific versions are available on request

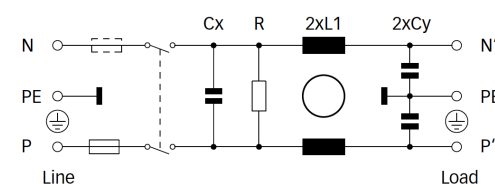
### Typical Applications

- Portable electrical and electronic equipment
- Consumer goods
- EDP and office equipment
- Single-phase power supplies, switch-mode power supplies
- Test and measurement equipment
- Medical equipment

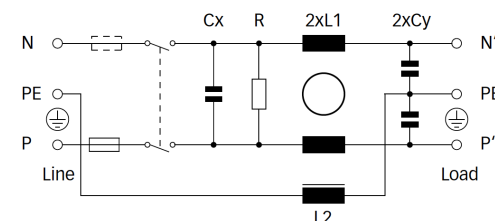
## Technical Specifications

<b>Maximum continuous operating voltage</b>	250 VOLT, 50/60 Hz
<b>Operating frequency</b>	DC to 400 Hz
<b>Rated currents</b>	1 to 10 A @ 40°C max
<b>High potential test voltage</b>	P → PE 2000 VAC for 2 sec (standard types) P → PE 2500 VAC for 2 sec (B types) P → N 760 VAC for 2 sec
<b>Protection category</b>	IP 40 according to IEC 60529
<b>Temperature range (operation and storage)</b>	-25°C to +85°C (25/85/21)
<b>Design corresponding to</b>	UL 1283, CSA 22.2 No. 8 1986, IEC/EN 60939
<b>Flammability corresponding to</b>	UL 94 V-2 or better
<b>MTBF @ 40°C/230 V (Mil-HB-217F)</b>	1,500,000 hours
<b>Fuse holder</b>	1 or 2 fuses (Ø5 x 20 mm) (certified to IEC 60127-6), power acceptance 1.6W @ Ta 23°C per pole for 2 fuses. 2.5W, if only 1 pole is used.
<b>Marking</b>	) Marking max. 250 V ~ (text is print. below fuse symbol)
<b>Rocker switch description</b>	
<b>Function</b>	2-pole, dark not illuminated Marking I - 0
<b>Electrical specifications</b>	Inrush current 82 A 6,000 on-off operations according to UL 1054, TV5 10,000 on-off operations according to ENEC
<b>Switch ratings</b>	
<b>USA (UL) and Canada (C-UL)</b>	10 A, 125 VAC; 10 A, 250 VAC; 1/3 HP
<b>Europe (ENEC)</b>	10 A (4 A), 250 VAC*
<b>Mechanical life</b>	50,000 cycles

### Typical electrical schematic



### E types



\* Value in () relates to the inductive current charge:  $\cos\phi = 0.65$

## Filter Selection Table

Filter	Rated current @ 40°C (25°C) [A]	Leakage current* @ 230 VAC/50 Hz [µA]	Inductance**		Capacitance**		Resistance** R [kΩ]	Output connections	Fuses*** [Qty]	Weight [g]	
			L1 [mH]	L2 [mH]	Cx [nF]	Cy [nF]					
<b>FN 281-1-06</b>	1 (1.2)	373	7.5			220	2.2	1000	-06	1	90
<b>FN 281-2-06</b>	2 (2.4)	373	2			220	2.2	1000	-06	1	90
<b>FN 281-4-06</b>	4 (4.8)	373	1			220	2.2	1000	-06	1	90
<b>FN 281-6-06</b>	6 (7.2)	373	0.45			220	2.2	1000	-06	1	90
<b>FN 281-10-06</b>	10 (11.6)	373	0.34			220	2.2	1000	-06	1	90
<b>FN 282-1-06</b>	1 (1.2)	373	7.5			220	2.2	1000	-06	2	90
<b>FN 282-2-06</b>	2 (2.4)	373	2			220	2.2	1000	-06	2	90
<b>FN 282-4-06</b>	4 (4.8)	373	1			220	2.2	1000	-06	2	90
<b>FN 282-6-06</b>	6 (7.2)	373	0.45			220	2.2	1000	-06	2	90
<b>FN 282-10-06</b>	10 (11.6)	373	0.34			220	2.2	1000	-06	2	90
<b>FN 283-1-06</b>	1 (1.2)	373	7.5			220	2.2	1000	-06	1	90
<b>FN 283-2-06</b>	2 (2.4)	373	2			220	2.2	1000	-06	1	90
<b>FN 283-4-06</b>	4 (4.8)	373	1			220	2.2	1000	-06	1	90
<b>FN 283-6-06</b>	6 (7.2)	373	0.45			220	2.2	1000	-06	1	90
<b>FN 283-10-06</b>	10 (11.6)	373	0.34			220	2.2	1000	-06	1	90
<b>FN 284-1-06</b>	1 (1.2)	373	7.5			220	2.2	1000	-06	2	90
<b>FN 284-2-06</b>	2 (2.4)	373	2			220	2.2	1000	-06	2	90
<b>FN 284-4-06</b>	4 (4.8)	373	1			220	2.2	1000	-06	2	90
<b>FN 284-6-06</b>	6 (7.2)	373	0.45			220	2.2	1000	-06	2	90
<b>FN 284-10-06</b>	10 (11.6)	373	0.34			220	2.2	1000	-06	2	90
<b>FN 285-1-06</b>	1 (1.2)	373	7.5			220	2.2	1000	-06	1	90
<b>FN 285-2-06</b>	2 (2.4)	373	2			220	2.2	1000	-06	1	90
<b>FN 285-4-06</b>	4 (4.8)	373	1			220	2.2	1000	-06	1	90
<b>FN 285-6-06</b>	6 (7.2)	373	0.45			220	2.2	1000	-06	1	90
<b>FN 285-10-06</b>	10 (11.6)	373	0.34			220	2.2	1000	-06	1	90
<b>FN 286-1-06</b>	1 (1.2)	373	7.5			220	2.2	1000	-06	2	90
<b>FN 286-2-06</b>	2 (2.4)	373	2			220	2.2	1000	-06	2	90
<b>FN 286-4-06</b>	4 (4.8)	373	1			220	2.2	1000	-06	2	90
<b>FN 286-6-06</b>	6 (7.2)	373	0.45			220	2.2	1000	-06	2	90
<b>FN 286-10-06</b>	10 (11.6)	373	0.34			220	2.2	1000	-06	2	90
<b>FN 283 E-1-06</b>	1 (1.2)	373	7.5	0.4		220	2.2	1000	-06	1	100
<b>FN 283 E-2-06</b>	2 (2.4)	373	2	0.4		220	2.2	1000	-06	1	100
<b>FN 283 E-4-06</b>	4 (4.8)	373	1	0.4		220	2.2	1000	-06	1	100
<b>FN 283 E-6-06</b>	6 (7.2)	373	0.45	0.4		220	2.2	1000	-06	1	100
<b>FN 284 E-1-06</b>	1 (1.2)	373	7.5	0.4		220	2.2	1000	-06	2	100
<b>FN 284 E-2-06</b>	2 (2.4)	373	2	0.4		220	2.2	1000	-06	2	100
<b>FN 284 E-4-06</b>	4 (4.8)	373	1	0.4		220	2.2	1000	-06	2	100
<b>FN 284 E-6-06</b>	6 (7.2)	373	0.45	0.4		220	2.2	1000	-06	2	100
<b>FN 282 B-1-06</b>	1 (1.2)	2	7.5			220		1000	-06	2	90
<b>FN 282 B-2-06</b>	2 (2.4)	2	2			220		1000	-06	2	90
<b>FN 282 B-4-06</b>	4 (4.8)	2	1			220		1000	-06	2	90
<b>FN 282 B-6-06</b>	6 (7.2)	2	0.45			220		1000	-06	2	90
<b>FN 282 B-10-06</b>	10 (11.6)	2	0.34			220		1000	-06	2	90

\* Maximum leakage under normal operating conditions. Note: if the neutral line is interrupted, worst case leakage could reach twice this level.

\*\* Tolerances apply: Inductance: -30/+50%, Capacitance: ±20%, Resistance: ±10%

\*\*\* Filters are delivered without fuse.

Filter	Rated current @ 40°C (25°C) [A]	Leakage current* @ 230 VAC/50 Hz [µA]	Inductance**		Capacitance**		Resistance** R [kΩ]	Output connections	Fuses*** [Qty]	Weight [g]
			L1 [mH]	L2 [mH]	Cx [nF]	Cy [nF]				
<b>FN 284 B-1-06</b>	1 (1.2)	2	7.5		220		1000	-06	2	90
<b>FN 284 B-2-06</b>	2 (2.4)	2	2		220		1000	-06	2	90
<b>FN 284 B-4-06</b>	4 (4.8)	2	1		220		1000	-06	2	90
<b>FN 284 B-6-06</b>	6 (7.2)	2	0.45		220		1000	-06	2	90
<b>FN 284 B-10-06</b>	10 (11.6)	2	0.34		220		1000	-06	2	90
<b>FN 286 B-1-06</b>	1 (1.2)	2	7.5		220		1000	-06	2	90
<b>FN 286 B-2-06</b>	2 (2.4)	2	2		220		1000	-06	2	90
<b>FN 286 B-4-06</b>	4 (4.8)	2	1		220		1000	-06	2	90
<b>FN 286 B-6-06</b>	6 (7.2)	2	0.45		220		1000	-06	2	90
<b>FN 286 B-10-06</b>	10 (11.6)	2	0.34		220		1000	-06	2	90







\* Maximum leakage under normal operating conditions. Note: if the neutral line is interrupted, worst case leakage could reach twice this level.

\*\* Tolerances apply: Inductance: -30/+50%, Capacitance: ±20%, Resistance: ±10%

\*\*\* Filters are delivered without fuse.

Product selector

FN 28xx-yy-zz

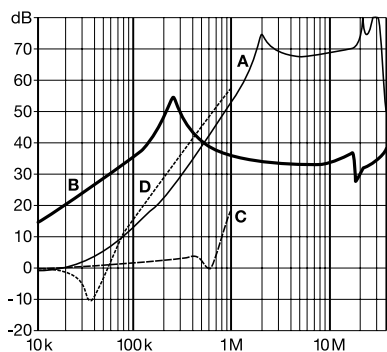
- 06: Faston 6.3 x 0.8mm (spade/soldering)
- 1 to 10: Rated current
- Blank: Standard version
- E: Optional earth line choke
- B: Medical version (with bleed resistor and without Y2-capacitor)
- 1:  Flange mounting version top/bottom, single-fuse
- 2:  Flange mounting version top/bottom, dual-fuse
- 3:  Flange mounting version left/right, single-fuse
- 4:  Flange mounting version left/right, dual-fuse
- 5:  Snap-in version, single-fuse
- 6:  Snap-in version, dual-fuse

For example: FN 281-6-06, FN 283 B-04-06, FN 283 E-1-06

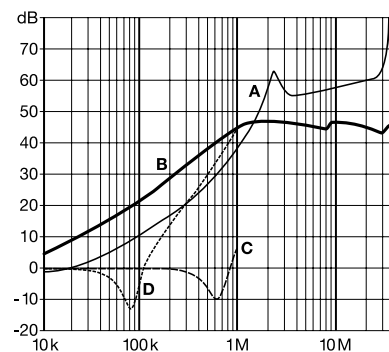
Typical Filter Attenuation

Per CISPR 17; A=50 Ω/50 Ω sym; B=50 Ω/50 Ω asym; C=0.1 Ω/100 Ω sym; D=100 Ω/0.1 Ω sym

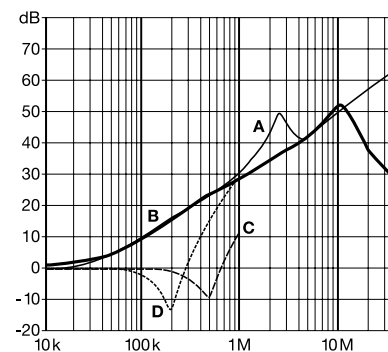
1 A types



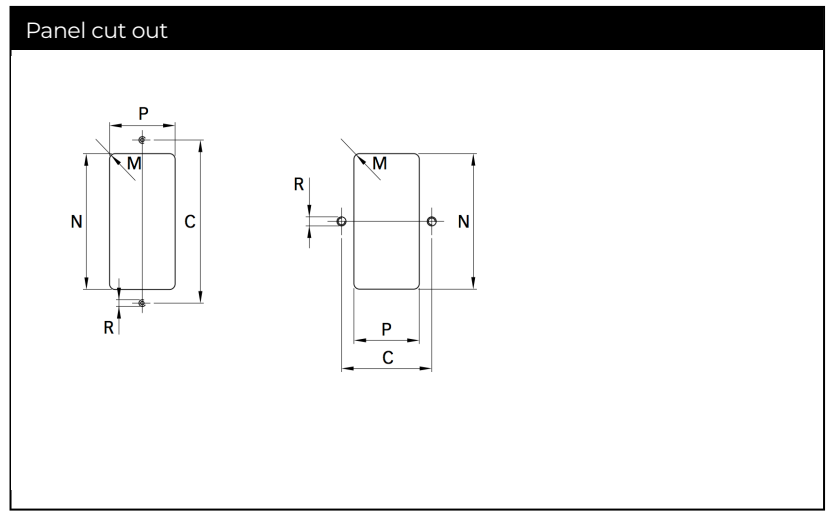
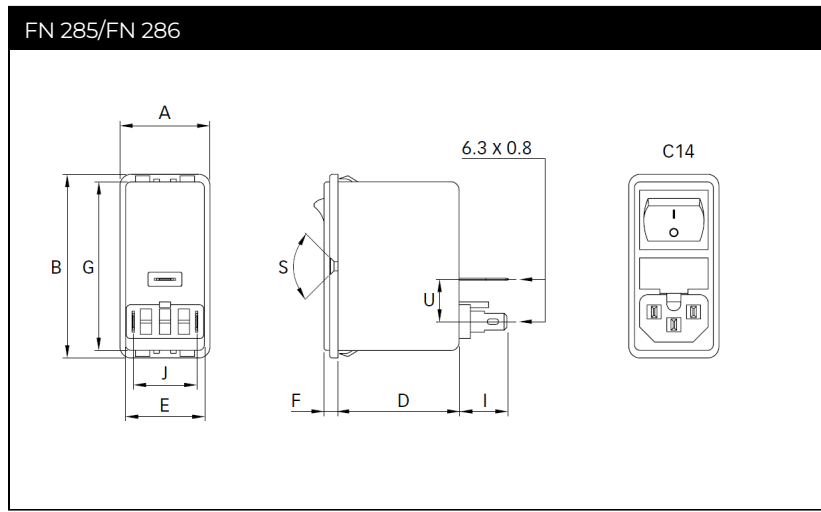
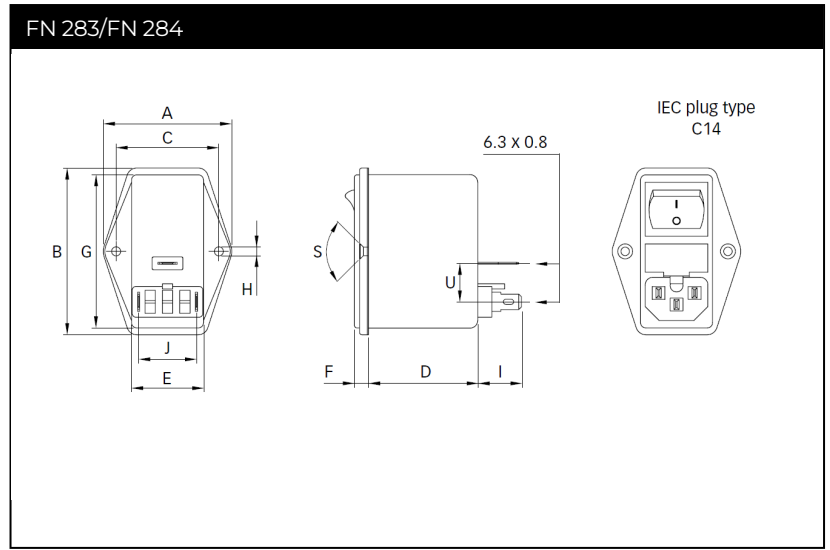
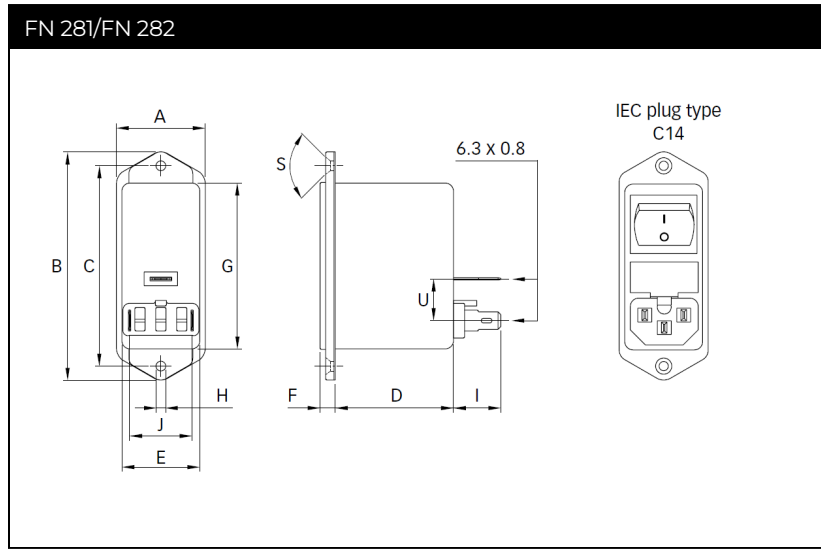
2 to 6 A types



10 A types



### Mechanical Data



### Dimensions

	FN 281	FN 282	FN 283	FN 284	FN 285	FN 286	Tolerances
<b>A</b>	32	32	50	50	32	32	±0.3
<b>B</b>	82	82	65	65	65	65	±0.3
<b>C</b>	72	72	40	40	65	65	±0.1
<b>D</b>	43.1	43.1	43.1	43.1	43.6	43.6	±0.3
<b>E</b>	28.5	28.5	28.5	28.5	28.5	28.5	±0.25
<b>F</b>	5.5	5.5	5.5	5.5	5	5	±0.3
<b>G</b>	59.95 max.	59.95 max.	59.95 max.	59.95 max.	59.95 max.	59.95 max.	
<b>H</b>	Ø3.5	Ø3.5	Ø3.3	Ø3.3			
<b>I</b>	13.4	16.2	13.4	16.2	13.9	16.7	±0.3
<b>J</b>	22.5	22.5	22.5	22.5	22.5	22.5	
<b>M</b>	R ≤ 2.5	R ≤ 2.5	R ≤ 2.5	R ≤ 2.5	R ≤ 2.5	R ≤ 2.5	
<b>N</b>	60	60	60	60	61.5+0.2/-0*	61.5+0.2/-0*	+0.5/-0
<b>P</b>	29	29	29	29	29	29	+0.5/-0
<b>R</b>	M3	M3	M3	M3			
<b>S</b>	90°	90°	90°	90°			

\* For a panel thickness between 0.8 and 3 mm

All dimensions in mm; 1 inch = 25.4 mm  
Tolerances according: ISO 2768-m/EN 22768-m

Please visit [www.schaffner.com](http://www.schaffner.com) to find more details on filter connectors.

## Headquarters, Global Innovation and Development

### Switzerland

#### Schaffner Group

Industrie Nord  
Nordstrasse 11e  
4542  
Luterbach  
+41 32 681 66 26  
[info@schaffner.com](mailto:info@schaffner.com)

## Sales and Application Centers

### China

#### Schaffner EMC Ltd. Shanghai

T20-3 C No 565 Chuangye Road Pudong  
district  
201201  
Shanghai  
+86 2138139500  
[cschina@schaffner.com](mailto:cschina@schaffner.com)

### Finland

#### Schaffner Oy

Sauvonrinne 19 H  
8500  
Lohja  
+358 50 468 7284  
[finlandsales@schaffner.com](mailto:finlandsales@schaffner.com)

### France

#### Schaffner EMC S.A.S.

16-20 Rue Louis Rameau  
95875  
Bezons  
+33 1 34 34 30 60  
[francesales@schaffner.com](mailto:francesales@schaffner.com)

### Germany

#### Schaffner Deutschland GmbH

Schoemperlenstrasse 12B  
76185  
Karlsruhe  
+49 721 56910  
[germanysales@schaffner.com](mailto:germanysales@schaffner.com)

### India

#### Schaffner India Pvt. Ltd

Regus World Trade Centre  
WTC 22nd Floor Unit No 2238 Brigade  
Gateway Campus 26/1 Dr. Rajkumar Road  
Malleshwaram (W)  
560055  
Bangalore  
+91 8067935355  
[indiasales@schaffner.com](mailto:indiasales@schaffner.com)

### Italy

#### Schaffner EMC S.r.l.

Via Ticino, 30  
20900  
Monza (MB)  
+39 039 21 41 070  
[italysales@schaffner.com](mailto:italysales@schaffner.com)

### Japan

#### Schaffner EMC K.K.

ISM Sangenjaya 7F  
1-32-12 Kamiyama Setagaya-ku  
154-0011  
Tokyo  
+81 3 5712 3650  
[japansales@schaffner.com](mailto:japansales@schaffner.com)

### Singapore

#### Schaffner EMC Pte Ltd.

Blk 3015A Ubi Road 1 #05-09 Kampong Ubi  
Industrial Estate  
408705  
Singapore  
+65 63773283  
[singaporesales@schaffner.com](mailto:singaporesales@schaffner.com)

### Spain

#### Schaffner EMC España

Calle Caléndula 93 Miniparc III Edificio E El  
Soto de Moraleja Alcobendas  
28109  
Madrid  
+34 917 912 900  
[spainsales@schaffner.com](mailto:spainsales@schaffner.com)

### Sweden

#### Schaffner EMC AB

Östermalmstrorg 1  
114 42  
Stockholm  
+46 8 5050 2425  
[swedensales@schaffner.com](mailto:swedensales@schaffner.com)

### Switzerland

#### Schaffner EMV AG

Industrie Nord  
Nordstrasse 11e  
4542  
Luterbach  
+41 32 681 66 26  
[switzerlandsales@schaffner.com](mailto:switzerlandsales@schaffner.com)

### Taiwan

#### Schaffner EMV Ltd.

U-Town  
20 Floor-2 No 97 Section 1 XinTai 5th Road  
XiZhi District  
22175  
New Taipei City  
+886 226975500  
[taiwansales@schaffner.com](mailto:taiwansales@schaffner.com)

### Thailand

#### Schaffner EMC Co. Ltd.

Sathorn Square Tower  
Room 3780 37FL 98 North-Sathorn Rd Silom  
Bangrak  
10500  
Bangkok  
+66 621056397  
[thailandsales@schaffner.com](mailto:thailandsales@schaffner.com)

### United Kingdom

#### Schaffner Ltd.

Suite 1 Oakmede Place  
Terrace Road  
RG42 4JF  
Binfield  
+44 118 9770070  
[uksales@schaffner.com](mailto:uksales@schaffner.com)

### United States

#### Schaffner EMC Inc.

52 Mayfield Avenue  
Edison, New Jersey  
+1 732 225 9533  
[usasales@schaffner.com](mailto:usasales@schaffner.com)

To find your local partner within  
Schaffner's global network [schaffner.com](http://schaffner.com)

© 2022 Schaffner Group

The content of this document has been carefully checked and understood. However, neither Schaffner nor its subsidiaries assume any liability whatsoever for any errors or inaccuracies of this document and the consequences thereof. Published specifications are subject to change without notice. Product suitability for any area of application must ultimately be determined by the customer. In all cases, products must never be operated outside their published specifications. Schaffner does not guarantee the availability of all published products. This disclaimer shall be governed by substantive Swiss law and resulting disputes shall be settled by the courts at the place of business of Schaffner Holding AG. Latest publications and a complete disclaimer can be downloaded from the Schaffner website. All trademarks recognized.

# Mouser Electronics

Authorized Distributor

Click to View Pricing, Inventory, Delivery & Lifecycle Information:

## Schaffner:

[FN284-4-06](#) [FN286-10-06](#) [FN284B-2-06-1](#) [FN286-6-06](#) [FN283-2-06](#) [FN283-1-06](#) [FN284-10-06](#) [FN282-6-06](#)  
[FN283-4-06](#) [FN285-6-06](#) [FN284-6-06](#) [FN283-6-06](#) [FN285-4-06](#) [FN284-2-06](#) [FN286-4-06](#) [FN282-1-06](#) [FN286-2-06](#)  
[FN281-2-06](#) [FN282-4-06](#) [FN281-1-06](#) [FN282-2-06](#) [FN281-4-06](#) [FN284-1-06](#) [FN281-6-06](#) [FN285-1-06](#) [FN285-2-](#)  
[06](#) [FN281-10-06](#) [FN281B-2-06](#) [FN282-10-06](#) [FN282B-1-06](#) [FN282B-2-06](#) [FN282B-4-06](#) [FN282B-6-06](#) [FN282B-10-](#)  
[06](#) [FN283-10-06](#) [FN283E-1-06](#) [FN283E-2-06](#) [FN283E-4-06](#) [FN283E-6-06](#) [FN284B-2-06](#) [FN284B-4-06](#) [FN284B-6-](#)  
[06](#) [FN284E-1-06](#) [FN284E-2-06](#) [FN284E-4-06](#) [FN284E-6-06](#) [FN285-10-06](#) [FN286-1-06](#) [FN286B-1-06](#) [FN286B-2-06](#)  
[FN286B-4-06](#) [FN286B-6-06](#) [FN286B-10-06](#) [FN284B-10-06](#) [FN284EB-2-06](#) [FN286E-4-06](#) [FN284EB-6-06](#) [FN284B-](#)  
[1-06](#)