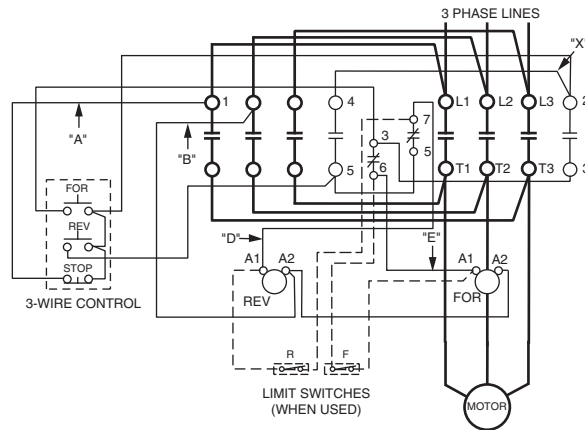




# BULLETIN 505, FULL VOLTAGE REVERSING CONTROLLER, SIZE 00



CAT \_\_\_\_\_, SER \_\_\_\_\_, NEMA TYPE \_\_\_\_\_  
WIRING DIAGRAM



WHEN LIMIT SWITCHES ARE USED, REMOVE CONTROL WIRES "D" & "E" FROM THE CONTROLLER AND CONNECT LIMIT SWITCHES AS PER DOTTED LINES.

### SEPARATE CONTROL CIRCUIT

When the controller coil is to operate on a voltage other than line voltage, check coil rating for compatibility and change coil if necessary. Disconnect wires "A" and "B" from lines L1 and L2. Connect wires "A" and "B" to the separate control source. Refer to the National Electrical Code for control circuit disconnection requirements.

**NOTE:** Additional control circuit overcurrent protection may be required. Refer to the National Electrical Code. The current rating of the control circuit conductors furnished with this device is 15 Amps.

Maintain this equipment in accordance with guidelines of NFPA-70B, Electrical Equipment Maintenance.

### ACCESSORY KITS

#### Adder Decks 2 and 4 Pole (Open Type Only)

- 2 N.O.....Catalog No. 100-FA20
- 1 N.O.-1 N.C.....Catalog No. 100-FA11
- 2 N.C.....Catalog No. 100-FA02
- 4 N.O.....Catalog No. 100-FA40
- 3 N.O.-1 N.C.....Catalog No.100-F31
- 2 N.O.-2 N.C.....Catalog No. 100-FA22

#### Pneumatic Timer (Open Type Only)

- On-Delay.....Catalog No. 100-FPTA180
- Off-Delay.....Catalog No.100-FPTB180

#### Surge Suppressor

- (56-136 Volts).....Catalog No. 100-FSV136
- (137-227 Volts).....Catalog No. 100-FSV277

#### RENEWAL PART LIST

- Mechanical Interlock.....Catalog No. 599-M00R
- Operating Coil.....(Specify number and rating on coil label.)

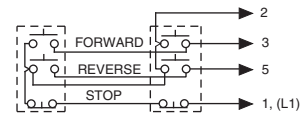
When ordering, specify catalog number and series letter of the device.

### 3-WIRE CONTROL ARRANGED TO PERMIT REVERSING W/O DEPRESSING STOP BUTTON

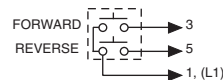


**NOTE:** REMOVE WIRE "X" BETWEEN 2 AND 4 ON CONTROLLER WHEN USING THIS TYPE OF PUSH BUTTON.

### REMOTE MOUNTED PUSH BUTTON DEVICES



2-STATION, 3-WIRE CONTROL



2-WIRE CONTROL