

PRODUCT NO.  
73725

PRODUCT NUMBER CODE  
73725-X X X X C X X F

HOUSING COLOR OPTION \_\_\_\_\_

- 0-WHITE
- 1-BLACK

SENSOR CONTACT OPTION \_\_\_\_\_

- 0-WITH SENSOR CONTACT
- 1-WITHOUT SENSOR CONTACT

SHIELD PLATING OPTION \_\_\_\_\_

- 1- 1.25µm MINIMUM NICKEL UNDERPLATE & 2.5µm MINIMUM BRIGHT TIN OVER ALL AREA. (HOLD DOWN STYLE "A")
- 2- 1.25µm MINIMUM NICKEL UNDERPLATED OVER ALL; 2.5µm MINIMUM MATTE TIN PLATED ON HOLD DOWN AREA ONLY. (HOLD DOWN STYLE "B")
- 3- 1.25µm MINIMUM NICKEL UNDERPLATED OVER ALL; 2.5µm MINIMUM MATTE TIN PLATED ON HOLD DOWN AREA ONLY. (HOLD DOWN STYLE "A")
- 4- 1.25µm MINIMUM NICKEL UNDERPLATED & 2.5µm MINIMUM BRIGHT TIN OVER ALL AREA. (HOLD DOWN STYLE "B")
- 5- 1.25µm MINIMUM NICKEL UNDERPLATED OVER ALL; 2.5µm MINIMUM MATTE TIN PLATED ON HOLD DOWN AREA ONLY. (HOLD DOWN STYLE "C")
- 6- 1.25µm MINIMUM NICKEL ONLY. (HOLD DOWN STYLE "A")
- 7- 1.25µm MINIMUM NICKEL UNDERPLATED & 2.5µm MINIMUM MATTE TIN PLATED OVER ALL. (HOLD DOWN STYLE "A")
- 8- 1.25µm MINIMUM NICKEL UNDERPLATED & 2.5µm MINIMUM MATTE TIN PLATED ALL AREA. (HOLD DOWN STYLE "B")
- 9- 1.25µm MINIMUM NICKEL UNDERPLATED OVER ALL; 2.5µm MINIMUM MATTE TIN PLATED ON HOLD DOWN AREA ONLY. (HOLD DOWN STYLE "B")
- S- 1.25µm MINIMUM NICKEL ONLY. (HOLD DOWN STYLE "A") HIGH PERFORMANCE MATERIAL FOR 12,000 DURABILITY CYCLES
- A- 1.25µm MINIMUM NICKEL PLATED OVER ALL. (HOLD DOWN STYLE "F")
- B- 1.25µm MINIMUM NICKEL PLATED OVER ALL. (HOLD DOWN STYLE "F")
- 2.5µm MINIMUM MATTE TIN PLATED ON HOLD DOWN AREA ONLY. (HOLD DOWN STYLE "F")

LEAD FREE OPTION  
SEE NOTE 9

PACKAGING OPTION  
B - TUBE  
R - TAPE&REEL

SPECIAL CODE FOR CISCO

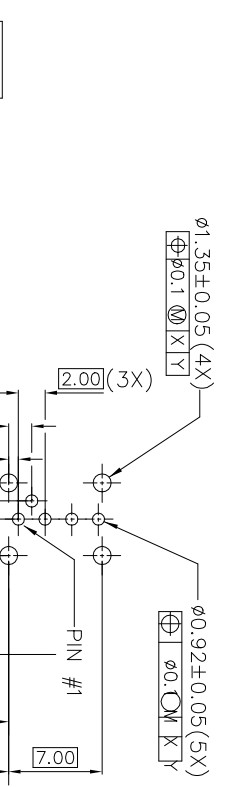
1

2 3

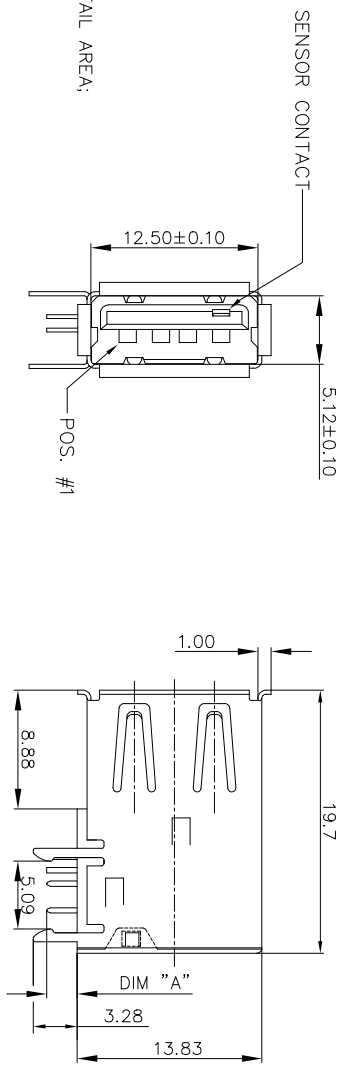
4

5

6



PC BOARD MOUNTING DIMENSIONS FOR 5 PIN



WITH SENSOR CONTACT

FOR 73725-XX0B  
HOLD DOWN STYLE "A"

TERMINAL OPTION  
50µ" NI UNDERPLATE; 30µ" GXT CONTACT AREA; 100µ" TIN TAIL AREA;

- 0- DIM "A": 2.29 (TERMINAL TAIL LENGTH);
- 1- DIM "A": 3.71 (TERMINAL TAIL LENGTH);
- 2- DIM "A": 3.00 (TERMINAL TAIL LENGTH);

NOTES:

1. MATERIAL:  
CONTACTS: COPPER ALLOY  
SHIELD: COPPER ALLOY  
HOUSING: UL 94V-0 THERMOPLASTIC. COLOR: SEE PRODUCT CODE
2. PLATING:  
CONTACTS: GOLD FLASH OVER PALLADIUM NICKEL (0.76µm MINIMUM) IN CONTACT AREA; 2.5 µm TIN MINIMUM IN SOLDER TAIL AREA.  
1.27 µm MINIMUM NICKEL UNDERPLATE OVER ALL SURFACES.  
SHIELD: SEE PRODUCT NUMBER CODE.  
(THE PLATING MEASURE POINT ON THE SHIELD HOLD DOWN AREA ONLY).  
DATUMS & BASIC DIMENSIONS TO BE DETERMINED BY CUSTOMER
3. RECOMMENDED PCB BOARD THICKNESS IS 1.00 ~ 1.60mm EXCEPT 73725-1191BLF; 73725-1191BLF CAN BE USED FOR THE PCB BOARD THICKNESS 2.30 ~ 2.65mm.
4. MAXIMUM PANEL THICKNESS TO BE 2.67mm IF MOUNTED BEHIND PANEL
5. METAL SHELL SLIVER 0.20 MAX.
6. NI PLATING DOES NOT COMPLY WITH THE USB STANDARDS (TO BE CONTINUED)
- 7.



1

2

PDS: Rev: AL

STATUS: Released

Printed: Dec 25, 2020

5

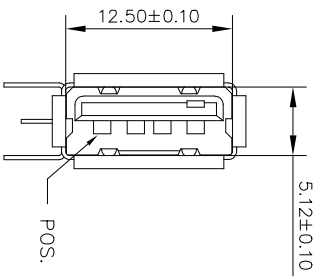
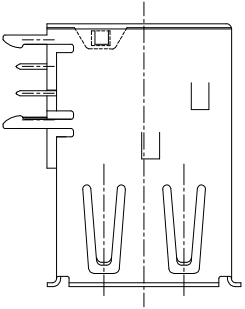
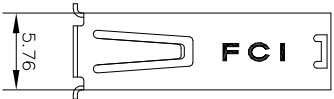
6

mat'l. code	tr	ecn no	dr	date	surface <sub>1,2,3</sub>	tolerance	projection	product family
					ISO 1302	ISO 406 ISO	1104	HPL 511 USB 2.0
					tolerances unless otherwise specified		mm	
AJ	EX-N-27708	LZ		2017/08/15	on gles:	0±.30	→	USB UP-RIGHT
AK	EX-N-34783-1	YY		2019/09/19	lineor	.00±.20	→	RECEPT
AL	EX-N-39493-1	YY		2020/12/04	0±±2"	.000±.10	→	
					dr	PAMP	scale 1:1	
AF	EX-N-145921	HAN		06/10/2013				Amphenol FCI
AG	EX-N-21594	LQ		08/04/2015	chr	R Y LIU		73725
AH	EX-N-21919	LQ		08/04/2015	pppd	JENN TSAO		73725
					sheet revision			sheet 1 of 4
					index sheet			size A3

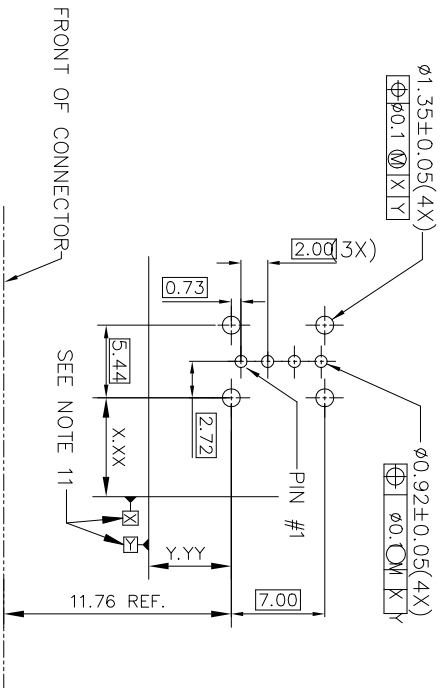
PRODUCT NO.  
73725

(CONTINUED)

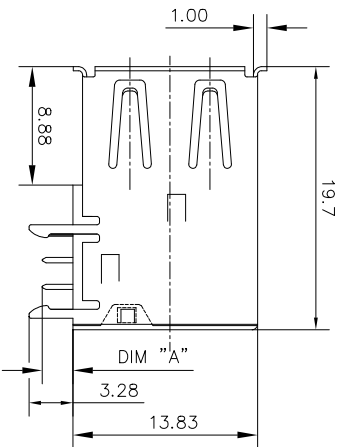
- 8. P/N'S WITH SUFFIX "LF" ARE LEAD FREE P/N'S
- 9. FOR LEAD FREE P/N, THE PRODUCT MEET EUROPEAN UNION DIRECTIVES AND OTHER COUNTRY REGULATION AS DESCRIBED IN GS-22-008
- 10. FOR THE PRODUCTS WITH THE METAL SHELL PLATING NICKEL AND MATTE SN CAN WITHSTAND EXPOSURE TO 260°C PEAK TEMPERATURE FOR 40 SECONDS IN A CONVECTION, INFRA-RED OR VAPOR PHASE REFLOW PROCESS; FOR THE PRODUCTS WITH METAL SHELL PLATING BRIGHT SN OR SEMI-BRIGHT SN CAN'T WITHSTAND REFLOW AND JUST CAN WITHSTAND EXPOSURE TO 260°C PEAK TEMPERATURE FOR 10 SECONDS IN WAVE SOLDERING PROCESS.
- 11. FOR ALL LEAD FREE P/N'S, WITH SUFFIX LF.
- 12. THE PRODUCT CAN BE USED FOR PIP PROCESS
- 13. DATUM OF CUSTOMER'S PCB LAYOUT.
- 14. TID NUMBER: 63000197.



WITHOUT SENSOR CONTACT



PC BOARD MOUNTING DIMENSIONS FOR 4 PIN



FOR 73725-X1X0B  
HOLD DOWN STYLE "A"

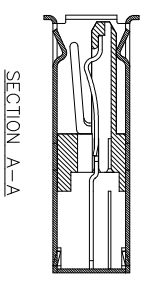
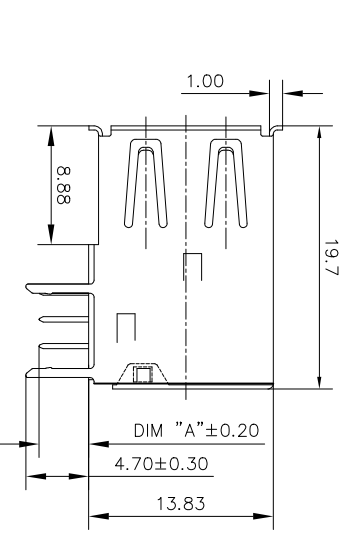
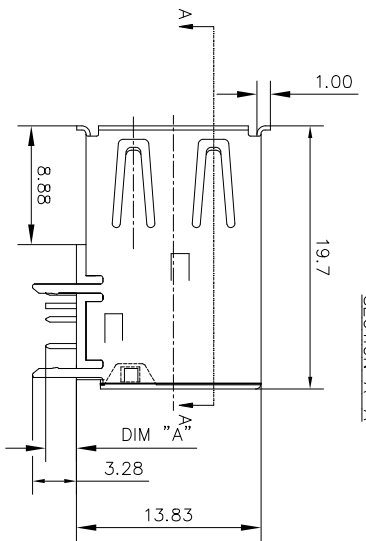
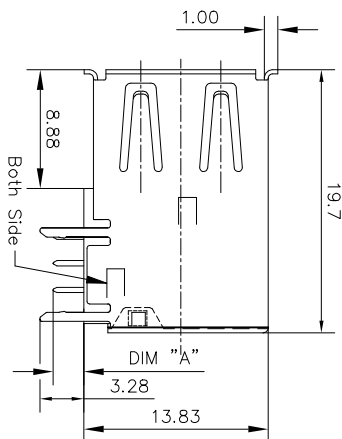
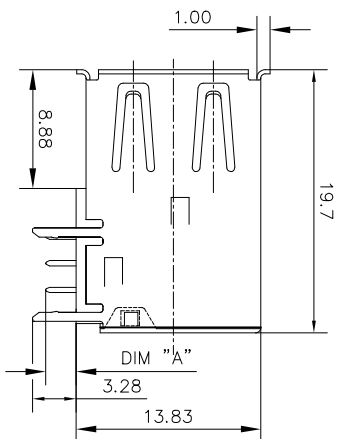
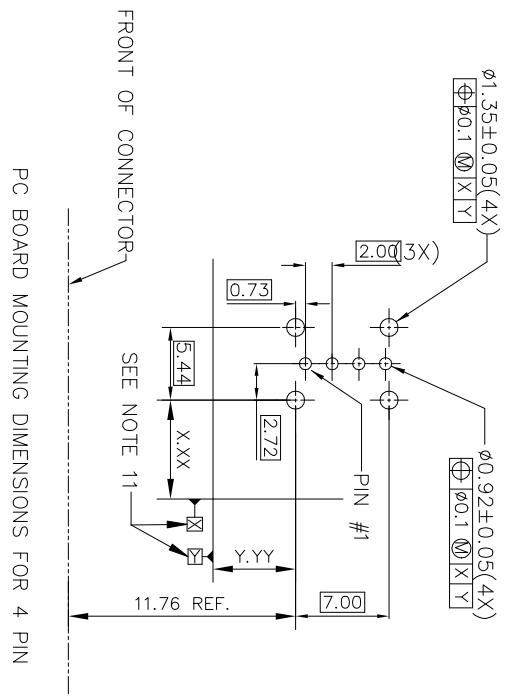
mat'l. code	surfc123	tolerance	projection	product family
ISO 1302	ISO 406	ISO 1107	HPL 511	USB 2.0

ltr	ecn	no	dr	date	tolerances unless otherwise specified	angles	lineof	scale	mm	title
AL					0±.30	0±.20	.000±.10	1:1		USB UP-RIGHT RECEIPT
					0±.2					

sheet	revision	engr	chr	pppd	JENN	TSAO	5/20/97	5/20/97	5/20/97	5/20/97	5/20/97	5/20/97	5/20/97	5/20/97	5/20/97	5/20/97	5/20/97	5/20/97	5/20/97
		R Y LIU	R Y LIU	qppd	JENN	TSAO	5/20/97	5/20/97	5/20/97	5/20/97	5/20/97	5/20/97	5/20/97	5/20/97	5/20/97	5/20/97	5/20/97	5/20/97	5/20/97

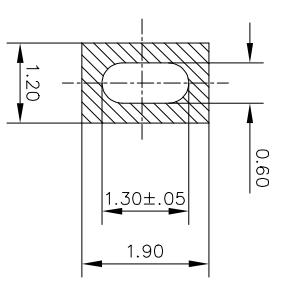
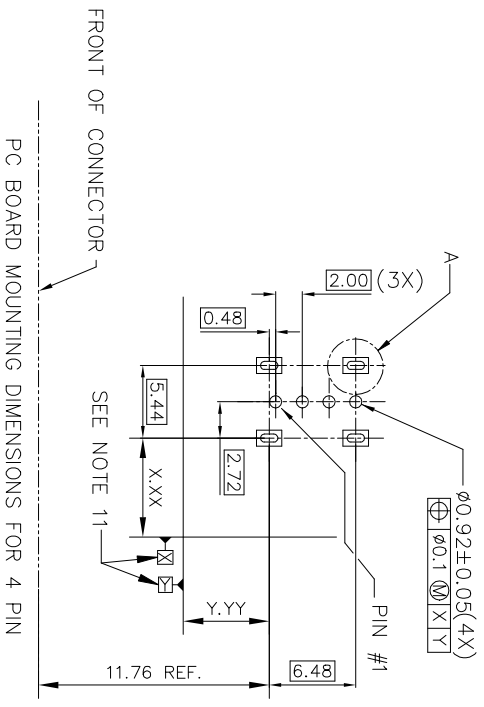
sheet index	revision	type	Product	Customer	Drawing	size
1		Product	Customer	Drawing		A3

PRODUCT NO.  
73725

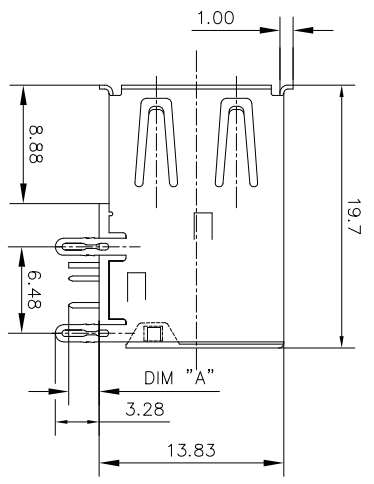


mat'l. code	ISO 1302	tolerance	ISO 406	ISO 1101	projection	product family	
tr ecn no	dr	date	ISO 1302	tolerance unless otherwise specified	ISO 406	ISO 1101	HPL 511 USB 2.0
AL			angles	linear	0.05±.20	scale 1:1	title
			0±.2°		0.00±.10	mm	USB UP-RIGHT RECEPT
			dr	PAMP	5/20/97		dwg no
			engr	R Y LIU	5/20/97		73725
			chr	R Y LIU	5/20/97		sheet 3 of 4
			index	qppd JENN TSAO	5/20/97		size
			sheet				A3
			revision				type
			index				Product Customer Drawing

PRODUCT NO.  
73725



DETAIL A 5 : 1



WITHOUT SENSOR CONTACT  
FOR 73725-X150B  
HOLD DOWN STYLE "C"

mat'l. code	ecn no	dr	date	surface <sup>1,2,3</sup>	tolerance	ISO 1302	ISO 406	ISO 1101	projection	product family
AL				tolerances unless otherwise specified	ISO 1302	ISO 406	ISO 1101	1101	specified	HPL 511 USB 2.0
				angles	0±.30				mm	USB UP-RIGHT
				linear	.00±.20				mm	RECEPT
				dr	0±.2				scale 1:1	dwg no
				eng						73725
				chr						sheet 4 of 4
				pppd	JENN TSAO	5/20/97				size
										A3
sheet		revision								type
index		sheet								Product Customer Drawing