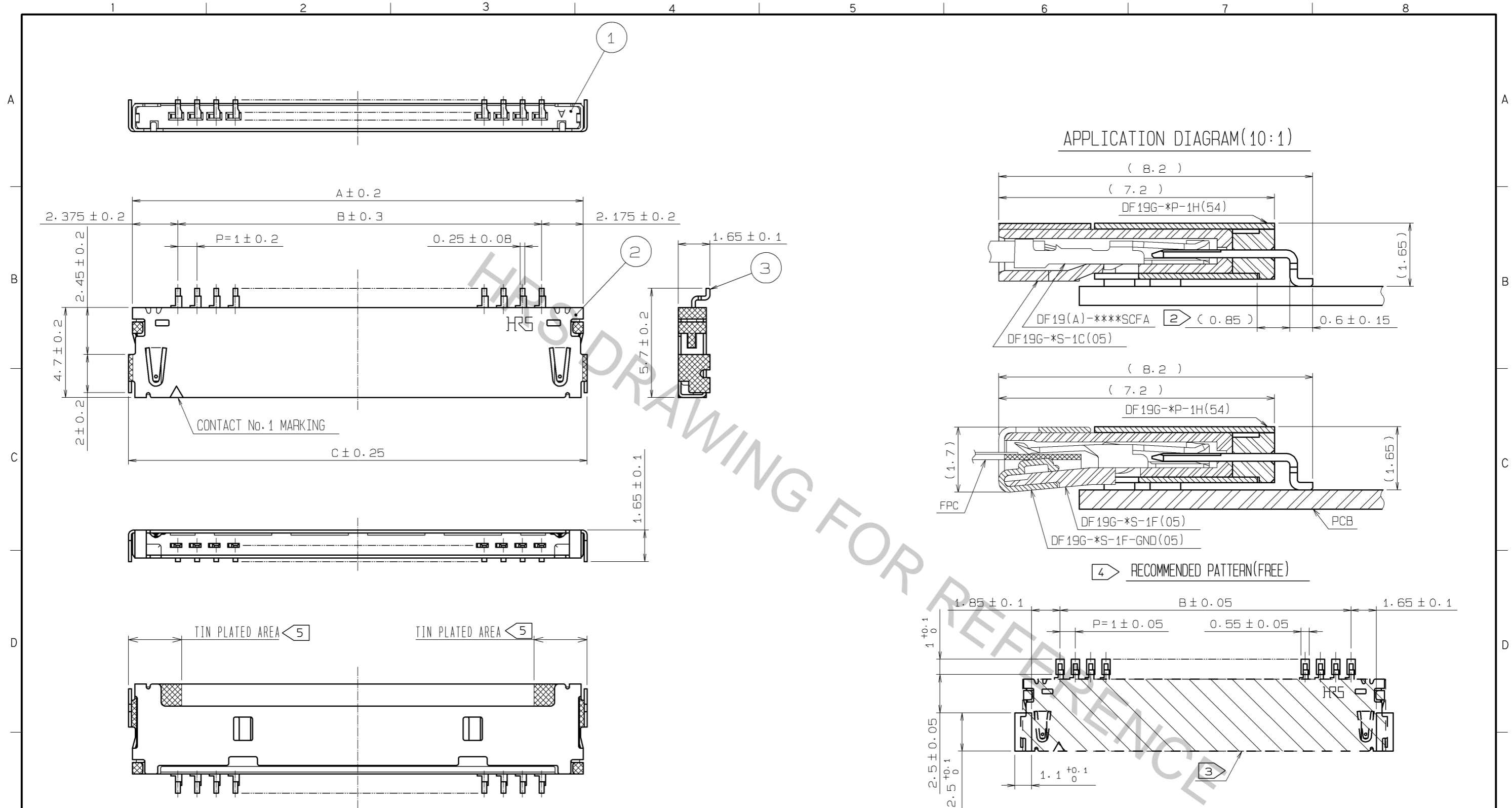


Nov.1.2017 Copyright 2017 HIROSE ELECTRIC CO., LTD. All Rights Reserved.



PART No.	CODE No.	NUMBER OF CONTACT	A	B	C
DF19G- 8P-1H(54)	CL685-0021-0-54	8	11.55	7	11.95
DF19G-14P-1H(54)	CL685-0004-0-54	14	17.55	13	17.95
DF19G-20P-1H(54)	CL685-0006-6-54	20	23.55	19	23.95
DF19G-30P-1H(54)	CL685-0015-7-54	30	33.55	29	33.95

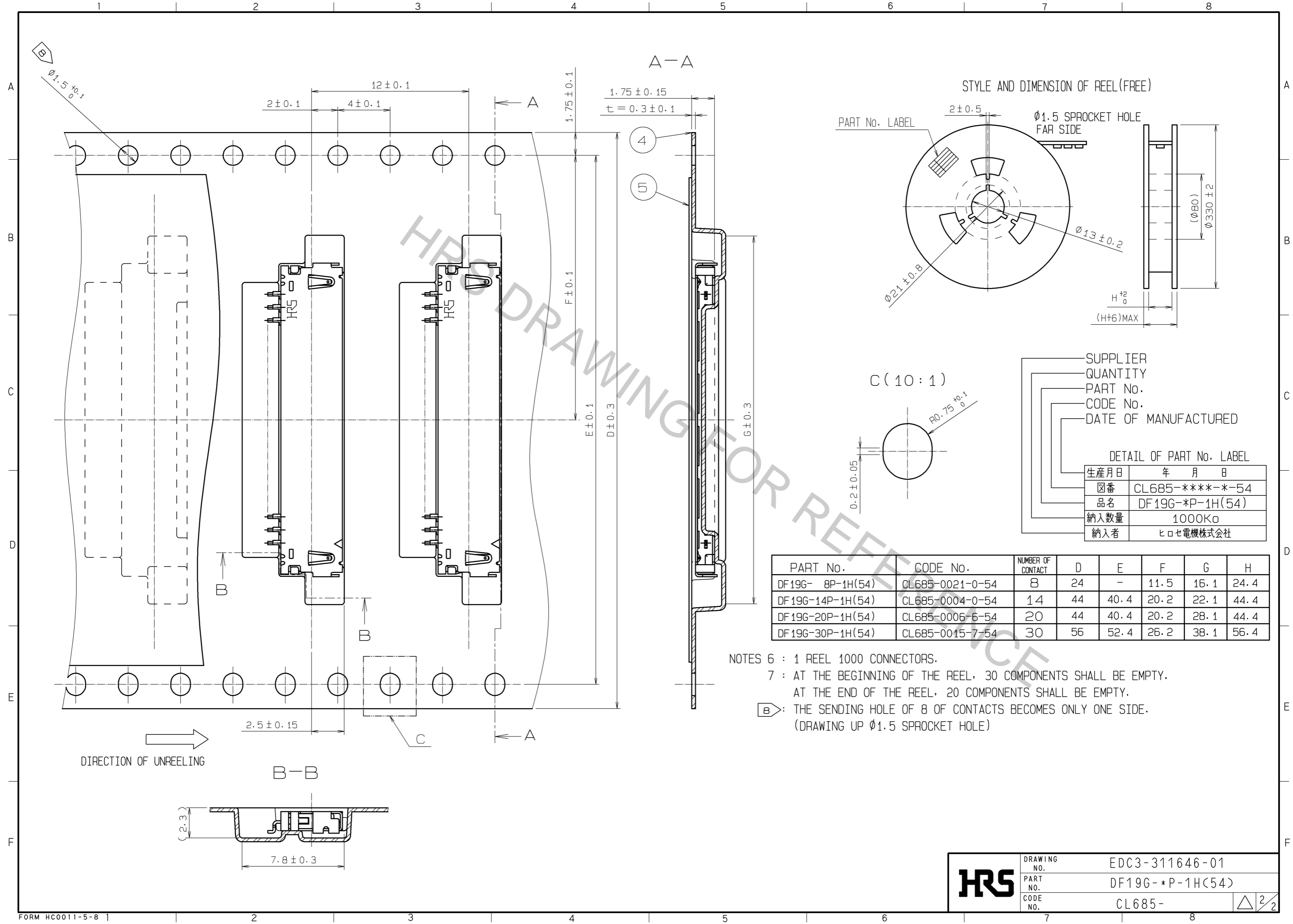
NOTES 1 :LEAD CO-PLANARITY SHALL BE 0.1mm MAX.
 2 :IF SOLDERING PADS IS LONG, THERE IS A POSSIBILITY THAT IT WILL MAKE CONTACT WITH THE METAL SHELL.
 3 :IF THERE IS PATTERN ON PART, THERE IS A POSSIBILITY THAT IT WILL MAKE CONTACT WITH THE METAL SHELL.
 4 :RECOMMENDED THICKNESS OF CREAM SOLDER PASTE :0.15mm
 OPEN AREA RATIO:100%

NO.	MATERIAL	FINISH, REMARKS	NO.	MATERIAL	FINISH, REMARKS
2	PHOSPHOR BRONZE	LEAD AREA:TIN PLATED 1#m min UNDER PLATING:NICKEL PLATED 0.5#m min	5	POLYESTER	CLEAR(COVER TAPE)
1	POLYAMIDE	BLACK, UL94V-0	4	PS	CLEAR(EMBOSSD CARRIER TAPE)
			3	PHOSPHOR BRONZE	CONTACT AREA:GOLD PLATED 0.1#m min LEAD AREA:TIN-COPPER PLATED 1#m min UNDER PLATING:NICKEL PLATED 1#m min

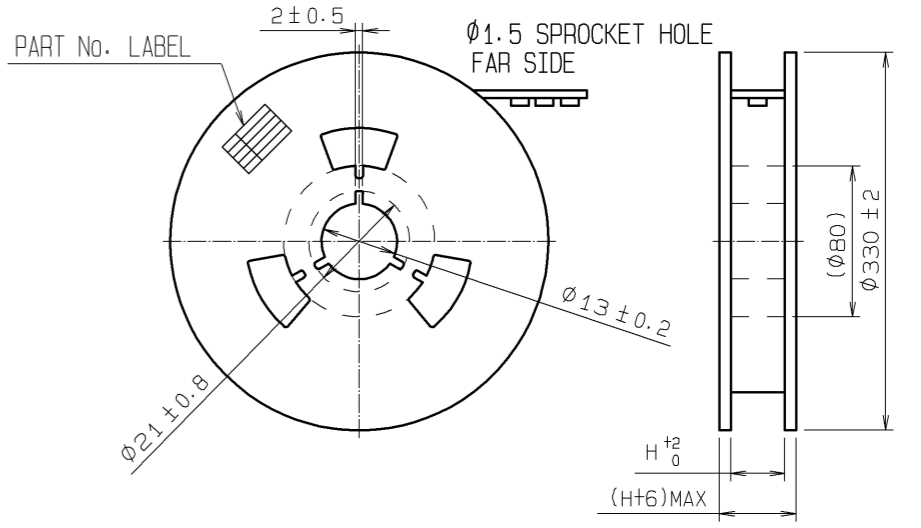
UNITS	SCALE	COUNT	DESCRIPTION OF REVISIONS	DESIGNED	CHECKED	DATE
mm	5 : 1		APPROVED : TS. SAKATA 09.03.02			
			CHECKED : TS. KUMAZAWA 09.03.02			
			DESIGNED : SN. KOBAYASHI 09.02.27			
			DRAWN : SN. KOBAYASHI 09.02.27			

DRAWING NO.	PART NO.	CODE NO.
EDC3-311646-01	DF19G-*P-1H(54)	CL685-

Nov.1.2017 Copyright 2017 HIROSE ELECTRIC CO., LTD. All Rights Reserved.



STYLE AND DIMENSION OF REEL(FREE)



SUPPLIER
QUANTITY
PART No.
CODE No.
DATE OF MANUFACTURED

DETAIL OF PART No. LABEL

生産月日	年 月 日
図番	CL685-****-*-54
品名	DF19G-*P-1H(54)
納入数量	1000Ko
納入者	ヒロセ電機株式会社

PART No.	CODE No.	NUMBER OF CONTACT	D	E	F	G	H
DF19G- 8P-1H(54)	CL685-0021-0-54	8	24	-	11.5	16.1	24.4
DF19G-14P-1H(54)	CL685-0004-0-54	14	44	40.4	20.2	22.1	44.4
DF19G-20P-1H(54)	CL685-0006-6-54	20	44	40.4	20.2	28.1	44.4
DF19G-30P-1H(54)	CL685-0015-7-54	30	56	52.4	26.2	38.1	56.4

NOTES 6 : 1 REEL 1000 CONNECTORS.
7 : AT THE BEGINNING OF THE REEL, 30 COMPONENTS SHALL BE EMPTY.
AT THE END OF THE REEL, 20 COMPONENTS SHALL BE EMPTY.
B: THE SENDING HOLE OF 8 OF CONTACTS BECOMES ONLY ONE SIDE.
(DRAWING UP $\phi 1.5$ SPROCKET HOLE)

HRS	DRAWING NO.	EDC3-311646-01
	PART NO.	DF19G-*P-1H(54)
	CODE NO.	CL685-