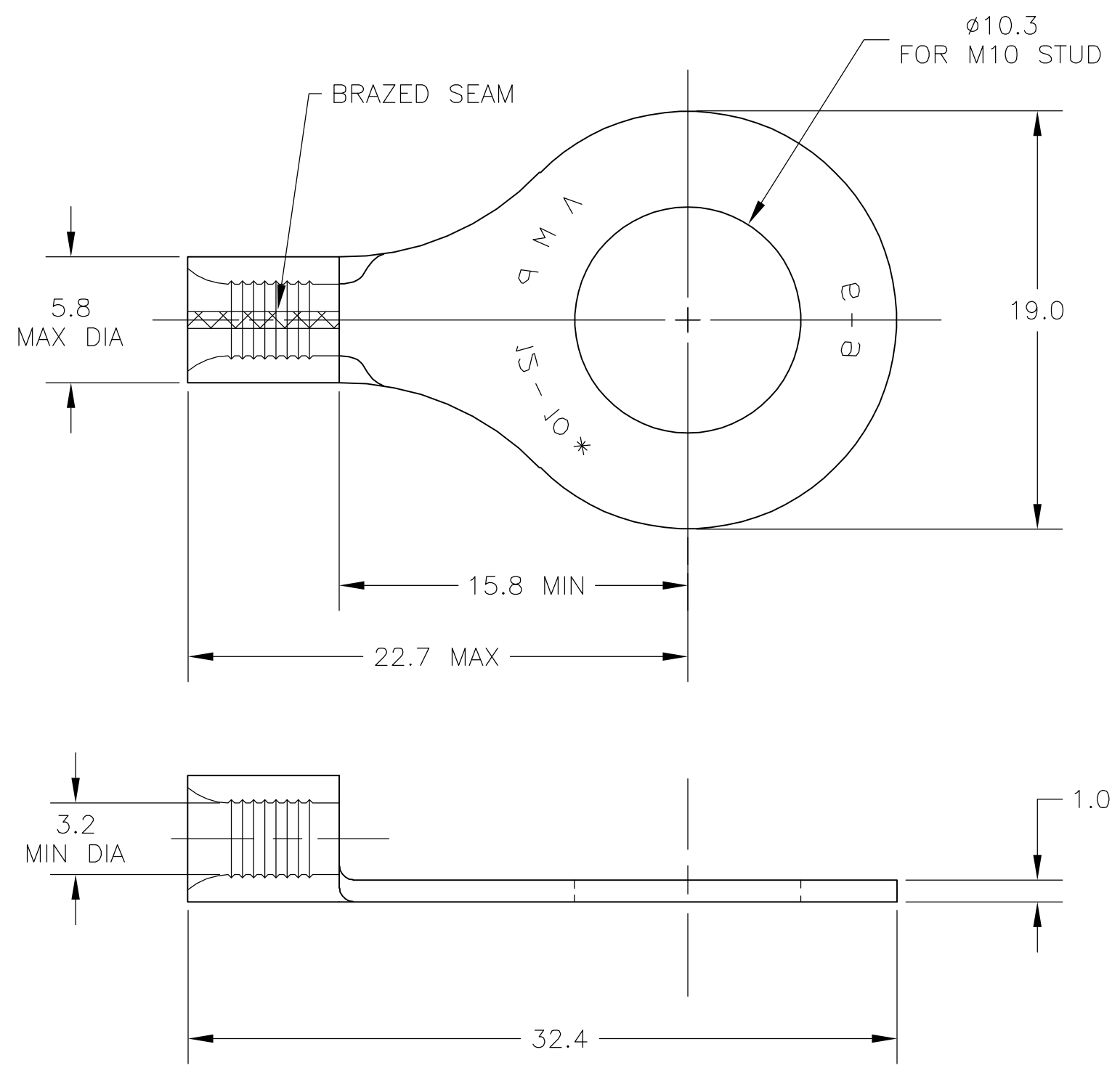


THIS DRAWING IS UNPUBLISHED. RELEASED FOR PUBLICATION  
 © COPYRIGHT - BY TYCO ELECTRONICS CORPORATION. ALL RIGHTS RESERVED.

| LOC | DIST | REVISIONS |     |             |         |     |      |
|-----|------|-----------|-----|-------------|---------|-----|------|
| G   | 14   | P         | LTR | DESCRIPTION | DATE    | DWN | APVD |
|     |      | A         |     | DRAWN       | 22MAR06 | JR  | TM   |



- 1 170°C MAX TEMPERATURE
- 2 COPPER PER ASTM B-152, ANNEALED
- 3 TIN PLATED PER ASTM B-545, 0.00254 MIN THK.
- 4 WIRE RANGE 2.62-6.64mm<sup>2</sup> [ 5,180-13,100 CMA ], SOLID OR STRANDED.

160038  
PART NO

|  |  |                                 |  |           |
|--|--|---------------------------------|--|-----------|
| THIS DRAWING IS A CONTROLLED DOCUMENT. |  | DWN<br>jr_ruth<br>22MAR06       | Tyco Electronics Corporation<br>Harrisburg, PA 17105-3608  |           |
| DIMENSIONS:<br>INCHES                  |  | CHK<br>T MICHELUTTI<br>22MAR06  |  |           |
|  |  | APVD<br>T MICHELUTTI<br>22MAR06 | NAME   |           |
| TOLERANCES UNLESS OTHERWISE SPECIFIED: |  | PRODUCT SPEC                    | WIRE TERMINAL<br>SOLISTRAND RING TONGUE<br>WIRE SIZE 12-10 |           |
| 0 PLC ± -                              |  | APPLICATION SPEC                | SIZE   | CAGE CODE |
| 1 PLC ± 0.2                            |  | WEIGHT                          | A3   | 00779     |
| 2 PLC ± -                              |  | CUSTOMER DRAWING                | DRAWING NO<br>C-160038                                     |           |
| 3 PLC ± -                              |  | SCALE                           | 4:1  | SHEET     |
| 4 PLC ± -                              |  | RESTRICTED TO                   | 1 OF 1   |           |
| ANGLES ± -                             |  | REV                             | A  |           |
| FINISH                                 |  |                                 |  |           |
| -2                                     |  |                                 |  |           |
| -3                                     |  |                                 |  |           |