

Connector



Specification:

Part Number: PSG08553

Description: 6.35mm Jack Adaptor, 2x Mono To Mono

Connector A: Mono Socket- 6.35mm X 2

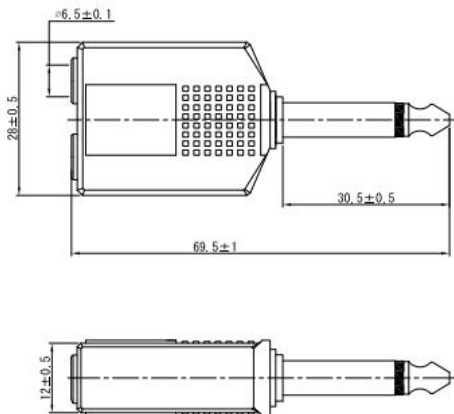
Connector B: Mono Plug - 6.35mm X 1

Body Material: ABS Brass

Plating: Nickle Plated

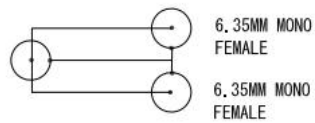
Standards:

RoHS compliant



WIRING DIAGRAM

6.35MM MONO
MALE



Dimensions may differ from those shown