

Connector / BNC



Specification:

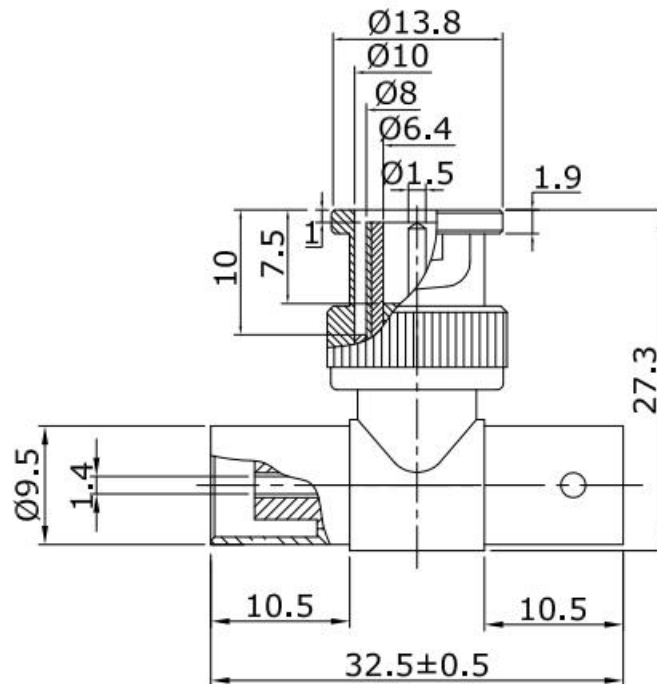
Part Number:	PSG08505
Description:	3-Way BNC T Adaptor
Connector Type:	BNC
Gender:	Plug X 1, Sockets X 2
Body Material:	Zinc Alloy
Plating:	Nickle Plated

Characteristics:

Impedance: 50 Ω

Standards:

RoHS compliant



Dimensions may differ from those shown