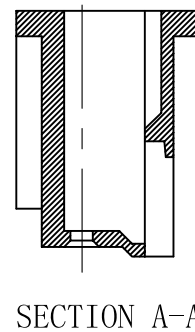
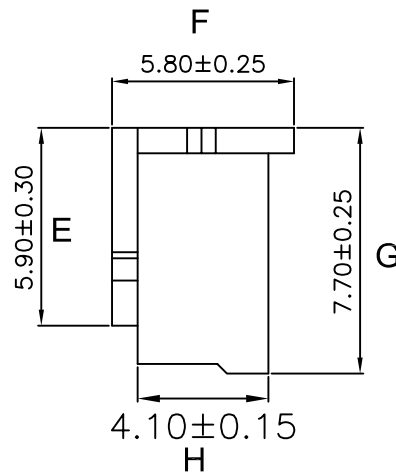
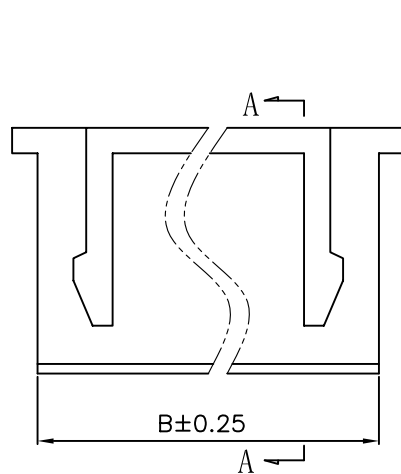
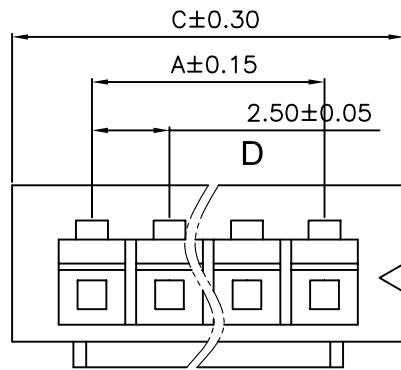


SPECIFICATIONS

- Voltage rating: 250V AC, DC
- Current rating: 3A, AC, DC
- Withstanding Voltage: 1000V AC/minute
- Insulation resistance: 1000M Ωmin
- Temperature range: -25 °C - +85°C
- Applicable PC board thickness: 0.063 "(1.6mm)
- Contact resistance: Initial Value/10m Ω max
After environmental Texting/20m Ω

HOUSING

- Part No: SCT2501H-XX
- Poles: 2-16
- Material: Nylon 66, UL 94V-2
- Q'TY: 500, 1000 pcs/bag



| NO | PART NO | DIMENSION (mm) | | |
|----|-------------|----------------|-------|-------|
| | | A | B | C |
| 1 | SCT2501H-02 | 2.50 | 5.70 | 7.30 |
| 2 | SCT2501H-03 | 5.00 | 8.20 | 9.80 |
| 3 | SCT2501H-04 | 7.50 | 10.70 | 12.30 |
| 4 | SCT2501H-05 | 10.00 | 13.20 | 14.80 |
| 5 | SCT2501H-06 | 12.50 | 15.70 | 17.30 |
| 6 | SCT2501H-07 | 15.00 | 18.20 | 19.80 |
| 7 | SCT2501H-08 | 17.50 | 20.70 | 22.30 |
| 8 | SCT2501H-09 | 20.00 | 23.20 | 24.80 |
| 9 | SCT2501H-10 | 22.50 | 25.70 | 27.30 |
| 10 | SCT2501H-11 | 25.00 | 28.20 | 29.80 |
| 11 | SCT2501H-12 | 27.50 | 30.70 | 32.30 |
| 12 | SCT2501H-13 | 30.00 | 33.20 | 34.80 |
| 13 | SCT2501H-14 | 32.50 | 35.70 | 37.30 |
| 14 | SCT2501H-15 | 35.00 | 38.20 | 39.80 |
| 15 | SCT2501H-16 | 37.50 | 40.70 | 42.30 |

| | | | | | | | | | | | | |
|-----|----------|--------------------------|--------|---------|---------------|---------|--------|----------|-------|-----|---|---------------|
| | | | | | OPERATION | DRAW | CHENA | 05/12/27 | SCALE | | 森康达电子有限公司 SCONDAR ELECTRONIC LIMITED | |
| | | | | | ~ 10 ±0.15 | DESIGN | | | UNIT | mm | | |
| | | | | | 20 ~ 30 ±0.30 | CHECK | MICKY | 05/12/28 | SIZE | A4 | PART NO. | SCT2501H-XX |
| 0 | 05/12/27 | | | | 30 ~ ±0.50 | APPROVE | HELLEN | 05/12/28 | SHEET | 1/1 | TITLE: | XH2.5 HOUSING |
| REV | DATE | MODIFICATION DESCRIPTION | CHANGE | APPROVE | Angle ± 2' | | | | PROJ. | ↻ | DRAWING NO. | SCT2501 |
| | | | | | DIM TOL | | | | | | | |