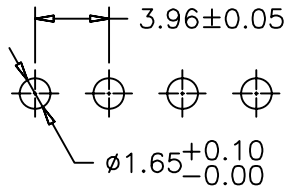
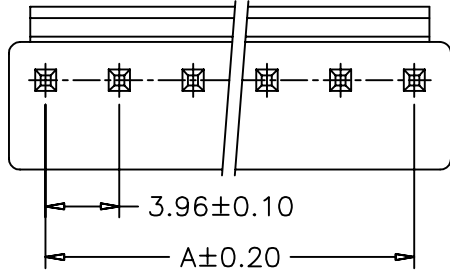


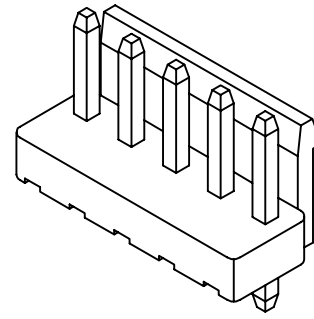
1 2 3 4 5 6 7 8 9 10

A
B
C
D
E
F
G

A
B
C
D
E
F
G

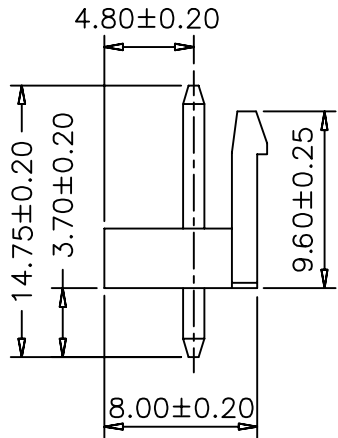
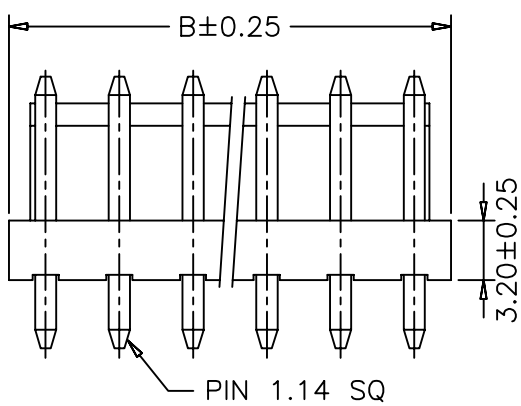


P.C.B LAYOUT




SPECIFICATIONS
 Voltage Rating: 250V AC/DC
 Current Rating: 7A AC/DC
 Withstanding Voltage: 1500V AC/minute
 Insulation Resistance: 1000MΩ min.
 Temperature Range: -25° C - +85° C
 Contact Resistance: 20mΩ max

WAFER
 Part No: SCT3961WV-XXP
 Pole: 02-12
 Material: Nylon 66, UL94V-0
 Pin: Brass, Tin plated



PIN 1.14 SQ

PART NO	DIMENSION	
	A	B
SCT3961WV-02	3.96	8.00
SCT3961WV-03	7.92	11.96
SCT3961WV-04	11.88	15.92
SCT3961WV-05	15.84	19.88
SCT3961WV-06	19.80	23.84
SCT3961WV-07	23.76	27.80
SCT3961WV-08	27.72	31.76
SCT3961WV-09	31.68	35.72
SCT3961WV-10	35.64	39.68
SCT3961WV-11	39.60	43.64
SCT3961WV-12	43.56	47.60

					OPERATION	DRAW	CHENA	2005.03.18	SCALE		 森康达电子有限公司 SCONDAR ELECTRONIC LIMITED		
					~ 10 ±0.15	DESIGN			UNIT	mm			
					20 ~ 30 ±0.30	CHECK	MICKY	2005.03.18	SIZE	A4		PART NO.	SCT3961WV-XXP
					30 ~ ±0.50	APPROVE	HELLEN	2005.03.18	SHEET	1/1		TITLE:	VH3.96 180C WAFER
0	05/12/27	NEW			Angle ± 2'				PROJ.	◆		DRAWING NO.	SCT3961
REV	DATE	MODIFICATION DESCRIPTION	CHANGE	APPROVE	DIM TOL								

1 2 3 4 5 6 7 8 9 10