



## ■ Features

- Universal AC input / Full range
- Protections: Short circuit / Overload / Over voltage / Over temperature
- Cooling by free air convection
- Can be installed on DIN rail TS-35/7.5 or 15
- UL 508 (industrial control equipment) approved
- EN61000-6-2(EN50082-2) industrial immunity level
- 100% full load burn-in test
- 2 years warranty

## ■ Applications

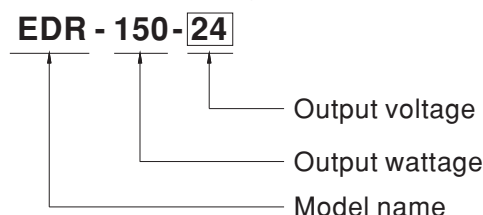
- Industrial control system
- Semiconductor fabrication equipment
- Factory automation
- Electro-mechanical apparatus

## ■ Description

EDR-150-24 is one economical slim DIN rail power supply series, providing up to 156W at 230VAC input. This series is adapt to be installed on TS-35/7.5 or TS-35/15 mounting rails. The body is designed 40mm in width, which allows space saving inside the cabinets. The entire series adopts the full range AC input from 90VAC to 264VAC and conforms to EN61000-3-2( $\leq 80\%$  Load), the norm the European Union regulates for harmonic current.

EDR-150-24 is designed with metal housing that enhances the unit's power dissipation. With working efficiency up to 87%, the entire series can operate at the ambient temperature between  $-20^{\circ}\text{C}$  and  $60^{\circ}\text{C}$  under air convection. It is equipped with constant current mode for over-load protection, fitting various inductive or capacitive applications. The complete protection functions and relevant certificates for industrial control apparatus (UL508, TUV EN60950-1, and etc.) make EDR-150-24 a very competitive power supply solution for industrial applications.

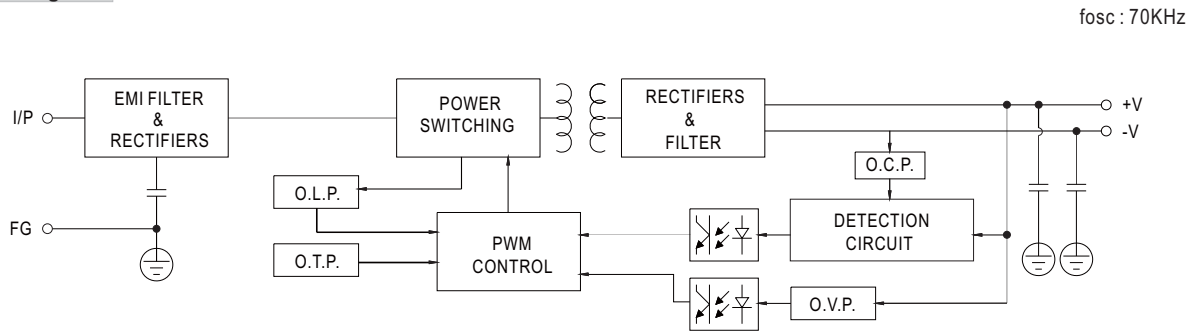
## ■ Model Encoding



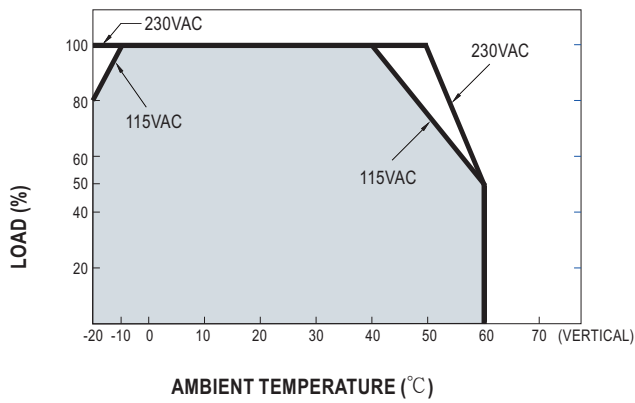
**SPECIFICATION**

| MODEL                 |   | EDR-150-24   |
|-----------------------|---|--|
| OUTPUT                | DC VOLTAGE  | 24V  |
|                       | RATED CURRENT   | 6.5A / 230VAC    5.2A / 115VAC   |
|                       | CURRENT RANGE   | 0 ~ 6.5A / 230VAC    0 ~ 5.2A / 115VAC   |
|                       | RATED POWER   | 156W / 230VAC    125W / 115VAC   |
|                       | RIPPLE & NOISE (max.) Note.2  | 150mVp-p   |
|                       | VOLTAGE ADJ. RANGE  | 24 ~ 28V   |
|                       | VOLTAGE TOLERANCE Note.3  | ±1.0%  |
|                       | LINE REGULATION   | ±0.5%  |
|                       | LOAD REGULATION   | ±1.0%  |
|                       | SETUP, RISE TIME  | 1500ms, 60ms/230VAC    3000ms, 60ms/115VAC at full load  |
| HOLD UP TIME (Typ.)   | 16ms/230VAC    10ms/115VAC at full load   |  |
| INPUT                 | VOLTAGE RANGE Note.6  | 90 ~ 264VAC    127 ~ 370VDC    [DC input operation possible by connecting AC/L(+), AC/N(-)]  |
|                       | FREQUENCY RANGE   | 47 ~ 63Hz  |
|                       | EFFICIENCY (Typ.)   | 87%  |
|                       | AC CURRENT (Typ.)   | 2.6A/115VAC    1.7A/230VAC   |
|                       | INRUSH CURRENT (Typ.)   | 20A/115VAC    35A/230VAC   |
|                       | LEAKAGE CURRENT   | <1mA / 240VAC  |
| PROTECTION            | OVERLOAD Note.7   | 105 ~ 130% rated output power<br>Protection type : Constant current limiting, recovers automatically after fault condition is removed / 230VAC<br>105 ~ 150% rated output power<br>Protection type : Constant current limiting, recovers automatically after fault condition is removed / 115VAC |
|                       | OVER VOLTAGE  | 29 ~ 33V<br>Protection type : Shut down o/p voltage, re-power on to recover  |
|                       | OVER TEMPERATURE  | Shut down o/p voltage, re-power on to recover  |
| ENVIRONMENT           | WORKING TEMP.   | -20 ~ +60°C (Refer to "Derating Curve")  |
|                       | WORKING HUMIDITY  | 20 ~ 95% RH non-condensing   |
|                       | STORAGE TEMP., HUMIDITY   | -40 ~ +85°C, 10 ~ 95% RH   |
|                       | TEMP. COEFFICIENT   | ±0.03%/°C (0 ~ 50°C)   |
|                       | VIBRATION   | Component:10 ~ 500Hz, 2G 10min./1cycle, 60min. each along X, Y, Z axes; Mounting: Compliance to IEC60068-2-6   |
| SAFETY & EMC (Note 4) | SAFETY STANDARDS  | UL508, TUV EN60950-1, EAC TP TC 004, BSMI CNS14336-1 approved;(meet EN60204-1)   |
|                       | WITHSTAND VOLTAGE   | I/P-O/P:3KVAC    I/P-FG:2KVAC    O/P-FG:0.5KVAC  |
|                       | ISOLATION RESISTANCE  | I/P-O/P, I/P-FG, O/P-FG:>100M Ohms / 500VDC / 25°C / 70% RH  |
|                       | EMC EMISSION  | Compliance to EN55032 (CISPR32) Class A, EN61000-3-2, Class A (≤80% Load), EN61000-3-3, EAC TP TC 020, CNS13438 Class A  |
|                       | EMC IMMUNITY  | Compliance to EN61000-4-2,3,4,5,6,8,11, EN55024, EN61000-6-2 (EN50082-2), heavy industry level, criteria A, EAC TP TC 020  |
| OTHERS                | MTBF  | 472.5K hrs min.    MIL-HDBK-217F (25°C)  |
|                       | DIMENSION   | 40*125.2*113.5mm (W*H*D)   |
|                       | PACKING   | 0.6Kg; 20pcs/13Kg/1.16CUFT   |
| NOTE                  | 1. All parameters NOT specially mentioned are measured at 230VAC input, rated load and 25°C of ambient temperature.<br>2. Ripple & noise are measured at 20MHz of bandwidth by using a 12" twisted pair-wire terminated with a 0.1uf & 47uf parallel capacitor.<br>3. Tolerance : includes set up tolerance, line regulation and load regulation.<br>4. The power supply is considered a component which will be installed into a final equipment. The final equipment must be re-confirmed that it still meets EMC directives.<br>5. Installation clearances : 40mm on top, 20mm on the bottom, 5mm on the left and right side are recommended when loaded permanently with full power. In case the adjacent device is a heat source, 15mm clearance is recommended.<br>6. Derating may be needed under low input voltage. Please check the derating curve for more details.<br>7. Hiccup mode at 90~100VAC, recovers automatically after fault condition is removed.<br>8. The ambient temperature derating of 3.5°C/1000m with fanless models and of 5°C/1000m with fan models for operating altitude higher than 2000m(6500ft). |  |

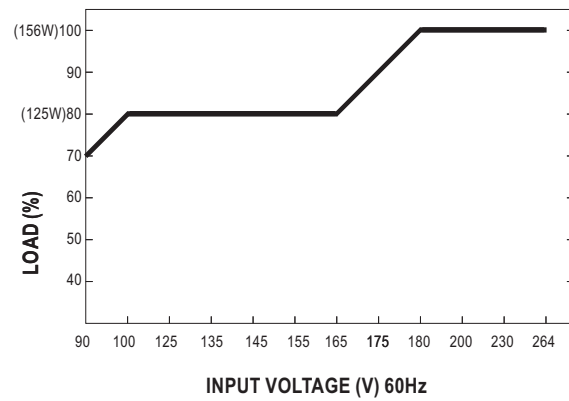
### Block Diagram



### Derating Curve

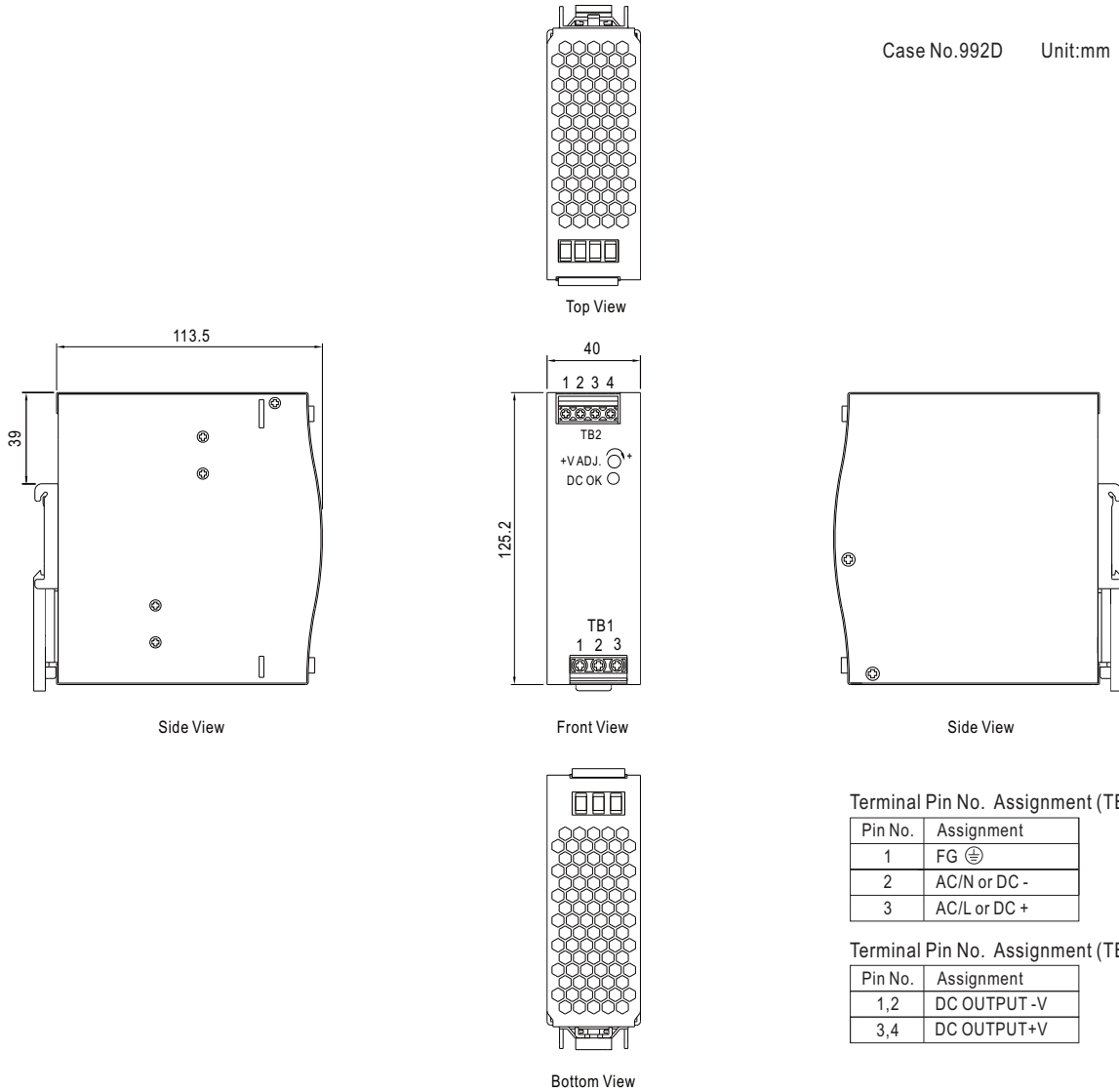


### Static Characteristics

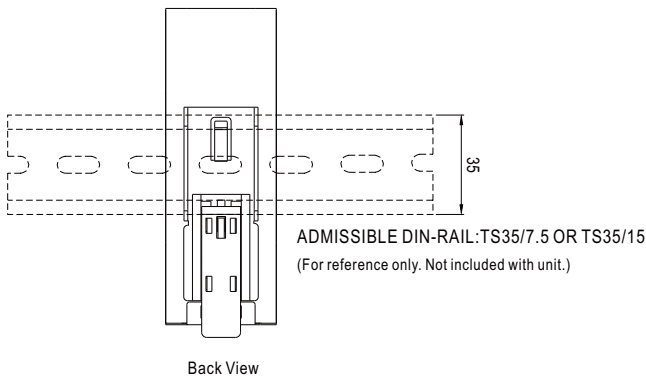


## Mechanical Specification

Case No.992D Unit:mm



## Installation Instruction



This series fits DIN rail TS35/7.5 or TS35/15.  
For installation details, please refer to the Instruction manual.

## Installation Manual

Please refer to : <http://www.meanwell.com/manual.html>