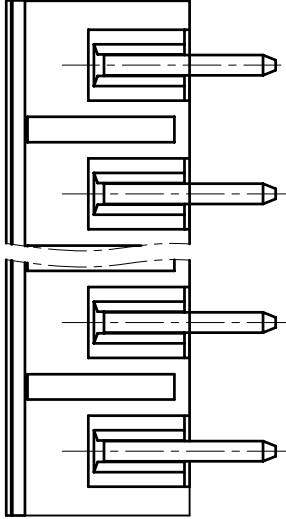
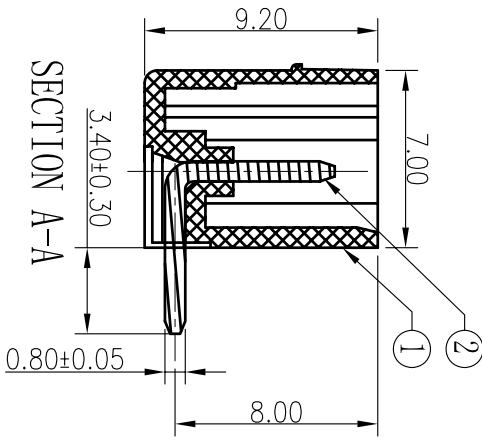
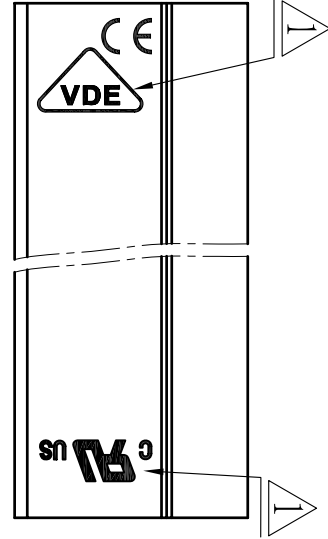
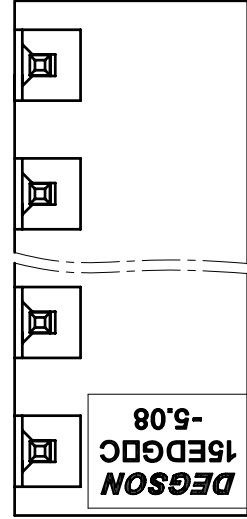
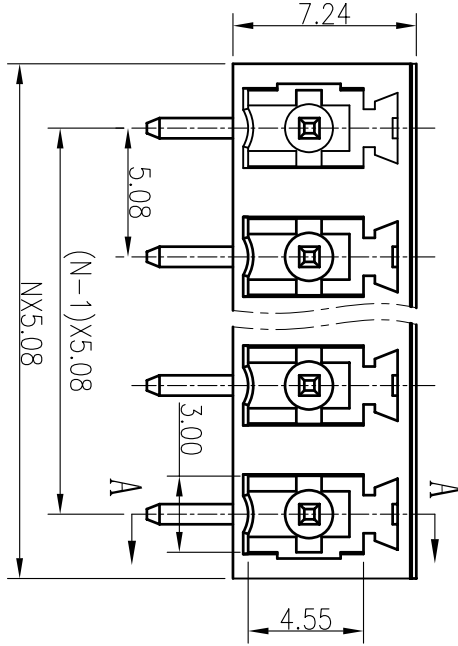


REVISION RECORD			
REV/ECO	DESCRIPTION	DRFT	DATE
△	增加VDE, UL, CE标志	Zengxy	01/13/09



- Notes:
1. Pitch: 5.08mm , Poles: 2-12P
 2. Rated voltage/current: UL 300V/8A VDE 250V/7A
 3. Operation temperatures: -40°C~+105°C
 4. Withstanding Voltage: AC2000V/1Min
 5. Insulation Resistance: 5000MΩ /DC1000V
 6. Undimensioned Tolerances:

Pitch range in mm	over 6 to 6	over 10 to 10	over 10 to 24	over 30 to 30	over 60 to 60	over 60 to 100	over 100 to 150	over 150 to 150
±0.10	±0.15	±0.25	±0.2	±0.3	±0.5	±0.7	±1.0	±0.05/0

ITEM	NAME OF PART	NO. OF PART	QTY	MATERIAL	NOTES
2	15EDGR (0.8*12.6R) Pin header	1003B00010(H)	XX	Brass	Snce plated
1	15EDGRC-5.08-Housing	1172AD0YXXA(H)	1	PA66	UL94V-0

DETACHED LISTS		TOLERANCES EXCEPT AS NOTED		MATERIAL :	
MM	(INCH)	MM	(INCH)	DATE	DATE
0.05 ±	±	0.05 ±	±	DATE	DATE
0.10 ±	±	0.10 ±	±	DATE	DATE
0.20 ±	±	0.20 ±	±	DATE	DATE
0.30 ±	±	0.30 ±	±	DATE	DATE
0.50 ±	±	0.50 ±	±	DATE	DATE
0.80 ±	±	0.80 ±	±	DATE	DATE
1.00 ±	±	1.00 ±	±	DATE	DATE
1.50 ±	±	1.50 ±	±	DATE	DATE
2.00 ±	±	2.00 ±	±	DATE	DATE
2.50 ±	±	2.50 ±	±	DATE	DATE
3.00 ±	±	3.00 ±	±	DATE	DATE
4.00 ±	±	4.00 ±	±	DATE	DATE
5.00 ±	±	5.00 ±	±	DATE	DATE
6.00 ±	±	6.00 ±	±	DATE	DATE
8.00 ±	±	8.00 ±	±	DATE	DATE
10.00 ±	±	10.00 ±	±	DATE	DATE
12.00 ±	±	12.00 ±	±	DATE	DATE
15.00 ±	±	15.00 ±	±	DATE	DATE
20.00 ±	±	20.00 ±	±	DATE	DATE
25.00 ±	±	25.00 ±	±	DATE	DATE
30.00 ±	±	30.00 ±	±	DATE	DATE
40.00 ±	±	40.00 ±	±	DATE	DATE
50.00 ±	±	50.00 ±	±	DATE	DATE
60.00 ±	±	60.00 ±	±	DATE	DATE
80.00 ±	±	80.00 ±	±	DATE	DATE
100.00 ±	±	100.00 ±	±	DATE	DATE

NAME	DEGSON	宁波高压电子有限公司
15EDGRC-5.08-XXP-1Y-00A(H)	DEGSON	DEGSON ELECTRONICS CO.,LTD
DRAWING NO. 15EDGRC-5.08-E01		
/PART NO.		
SCALE : 1:1		
DO NOT SCALE DRAWING		
SHEET 1		OF 1