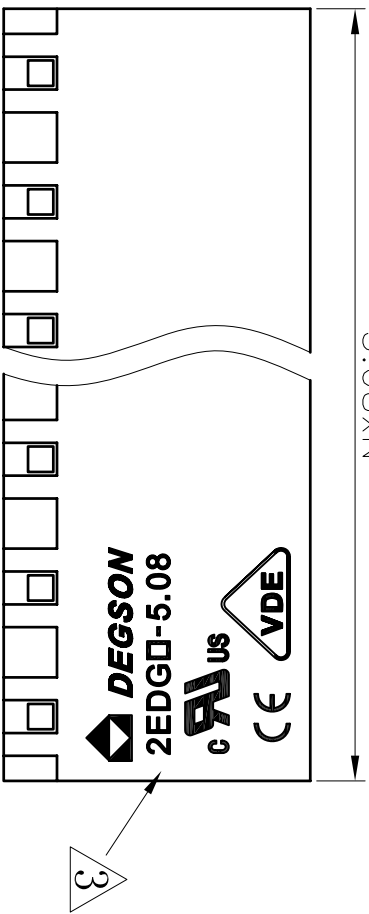
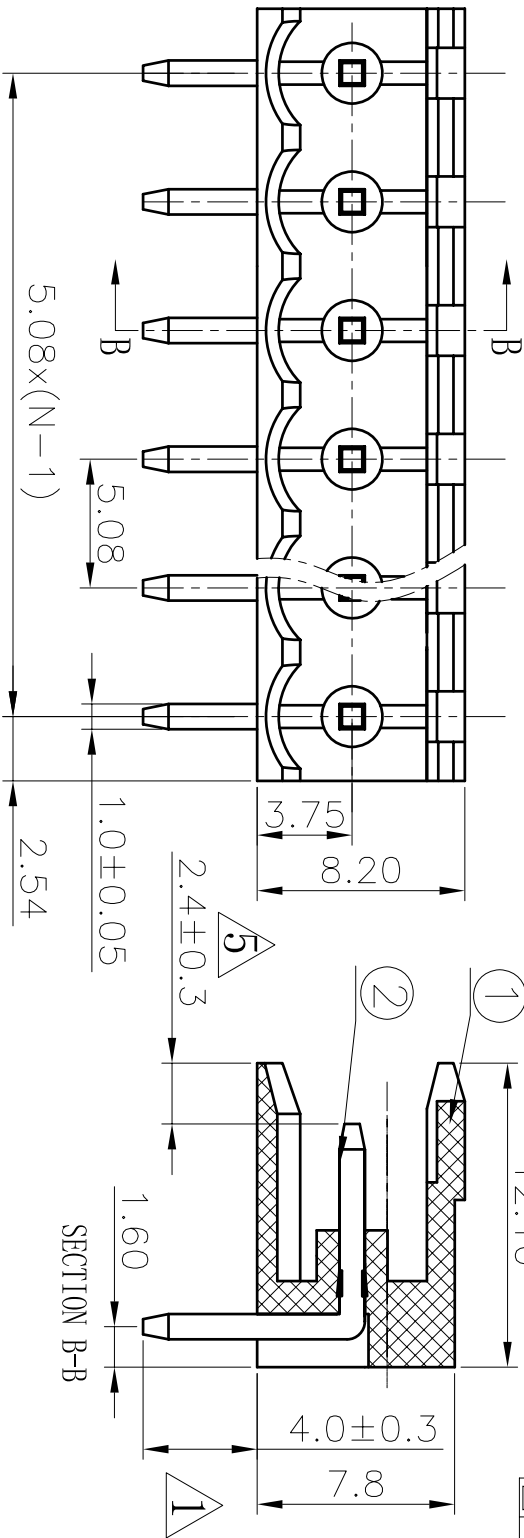


REVISION RECORD			
REV	ECO	DESCRIPTION	DRPT DATE
Δ		4.5±0.1 变更到 4.0±0.3	DZJ 06/14/05
Δ		Drawing emend	CSX 04/17/05
Δ		增加刻字	Yej 03/01/05
Δ		增加自动化方针	WLM 09/23/05
Δ	0-0024	增加标注尺寸	COO0 09/30/10



Notes:

1. Pitch: 5.08mm, poles: 2-24p
2. Rated voltage/current: UL 300V/15A
VDE 320V/20A
3. Operation temperatures: -40° C~+105° C
4. Withstanding voltage: AC2000V/1min
5. Insulation resistance: 5000MΩ/DC1000V
6. Undimensioned Tolerances:

Pitch range in mm	Nominal dimension range in mm	
over 6	over 30	over 100
to 10	to 60	to 150
to 24	to 100	to 150
to 30	to 150	to 150
to 60	to 150	to 150
to 100	to 150	to 150
to 150	to 150	to 150
±0.10	±0.15	±0.25
±0.2	±0.3	±0.5
±0.7	±1.0	±0.005/10

ITEM	NAME OF PART	NO. OF PART	Q'TY	MATERIAL	NOTES
2	2EDGR-Pin header	Δ 1008B00120 (H)	XX	Brass	Automatic assembly
2	2EDGR-Pin header	1008B00040 (H)	XX	Brass	Manual assembly
1	2EDGR-5.08-Housing	1008A0YXXA (H)	1	PA66	UL94V-0

DETACHED LISTS		TOLERANCES EXCEPT AS NOTED		MATERIAL		FINISH		SCALE	
MM	(INCH)	MM	(INCH)	APPL	DATE	CHKD	DATE	SCALE	SCALE
0 ± .000	± .000							1:1	1:1
THIRD ANGLE PROJECTION		SCALE : 1:1		NAME		DRAWING NO.		DO NOT SCALE DRAWING	
				DEGSON		2EDGR-5.08-E02			
				DEGSON ELECTRONICS CO., LTD		/PART NO.			
				宁波高正电子有限公司		A3			
				DEGSON ELECTRONICS CO., LTD		REV 15			
				2EDGR-5.08-XXP-1Y-00A (H)		09/20/10			
				SHEET 1		OF 1			