

# KEY OPTION

BLACK

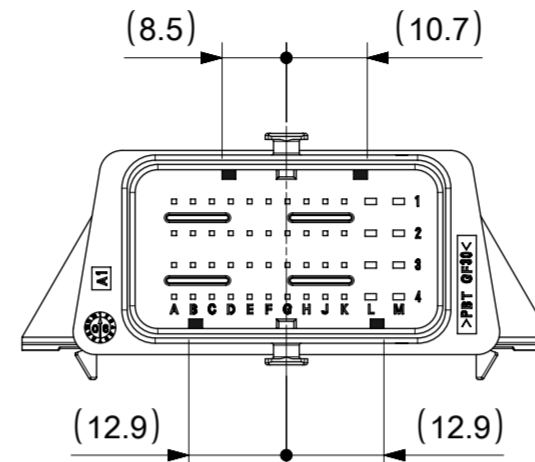
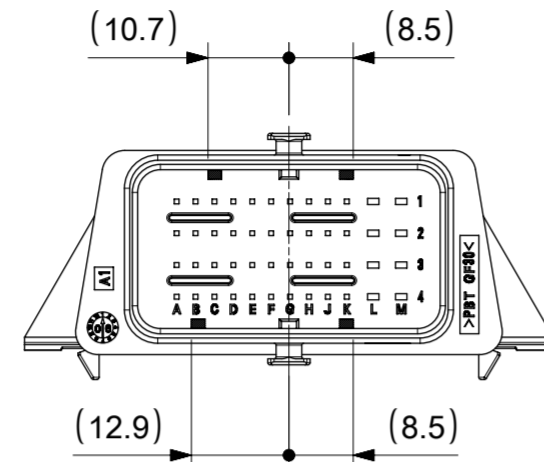
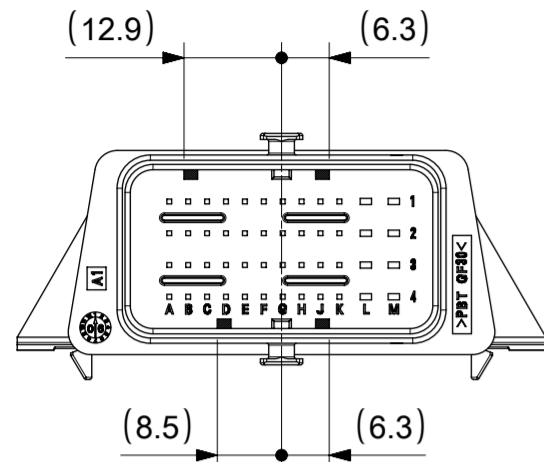
GRAY

BROWN

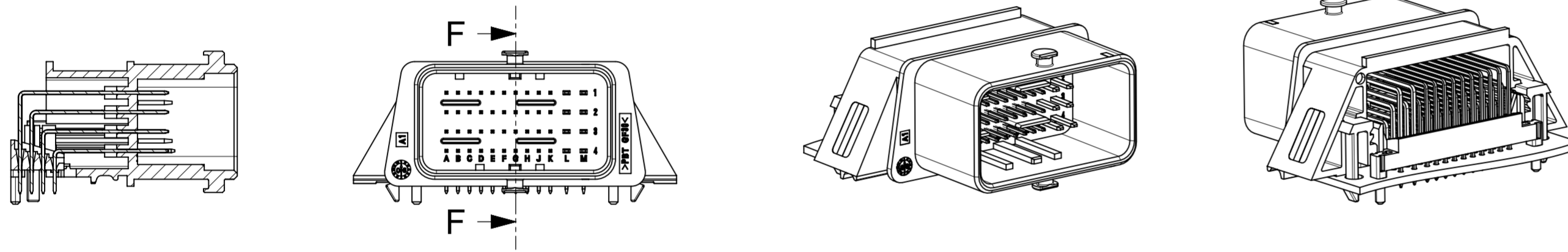
500762-0481 / 500762-0581

500762-0482 / 500762-0582

500762-0483 / 500762-0583



- NOTES
- ① 1. PLASTIC MATERIAL:  
HOUSING: PBT GF30-V0 BLACK (KEY OPTION: BLACK AND BROWN)  
PBT GF30-V0 GRAY (KEY OPTION: GRAY)  
GUIDE PLATE: PBT GF30-V0 BLACK
  - ② 2. PIN 0.64 / 025 :  
- FOR P/N 500762-048x :  
MATERIAL : PRE-PLATED BRASS C26000 H03 / CuZn30 3/4H  
PLATING : Sn 2.0 - 4.0 μm OVER Ni 1.3 - 2.2 μm ON BOTH MATE END AND PCB END  
  
- FOR P/N 500762-058x :  
MATERIAL : BRASS C26000 H03 / CuZn30 3/4H  
PLATING : Au 0.8 μm mini OVER Ni ON MATE END  
Sn 2.0 - 4.0 μm OVER Ni 1.3 - 2.2 μm ON PCB END
  - ③ 3. PIN 1.50 / 060 :  
- MATERIAL : BRASS C26000 H03 / CuZn30 3/4H  
- PLATING : Sn 2.0 - 4.0 μm OVER Ni 1.3 - 3.8 μm ON BOTH MATE END AND PCB END
  - 4. RECOMMENDED P.C.B THICKNESS: 1.6±0.1 mm
  - 5. PRODUCT SPECIFICATION: REFER TO PS-64319-001



SECTION F-F  
Once Mounted Onto the PCB

## APPLICABLE CONNECTORS

BROWN	64320-1319	64320-2319	64320-3319	64320-4319
GRAY	64320-1318	Not Tooled	64320-3318	Not Tooled
BLACK	64320-1311	64320-2311	64320-3311	64320-4311
KEY OPTION	CMC	CMC	CMC	CMC
	48CKT LEFT	36CKT LEFT	48CKT RIGHT	36CKT RIGHT
LEFT / RIGHT PER CONNECTOR DEFINITION				

## HEADER P/N TABLE

BROWN	500762-0483	500762-0583
GRAY	500762-0482	500762-0582 ( Not Tooled )
BLACK	500762-0481	500762-0581 ( Not Tooled )
↑ KEY OPTION ↑	0.64 / 025 Sn PLATED	0.64 / 025 Au PLATED
	MATERIAL NO.	

### GENERAL TOLERANCES ( UNLESS SPECIFIED )

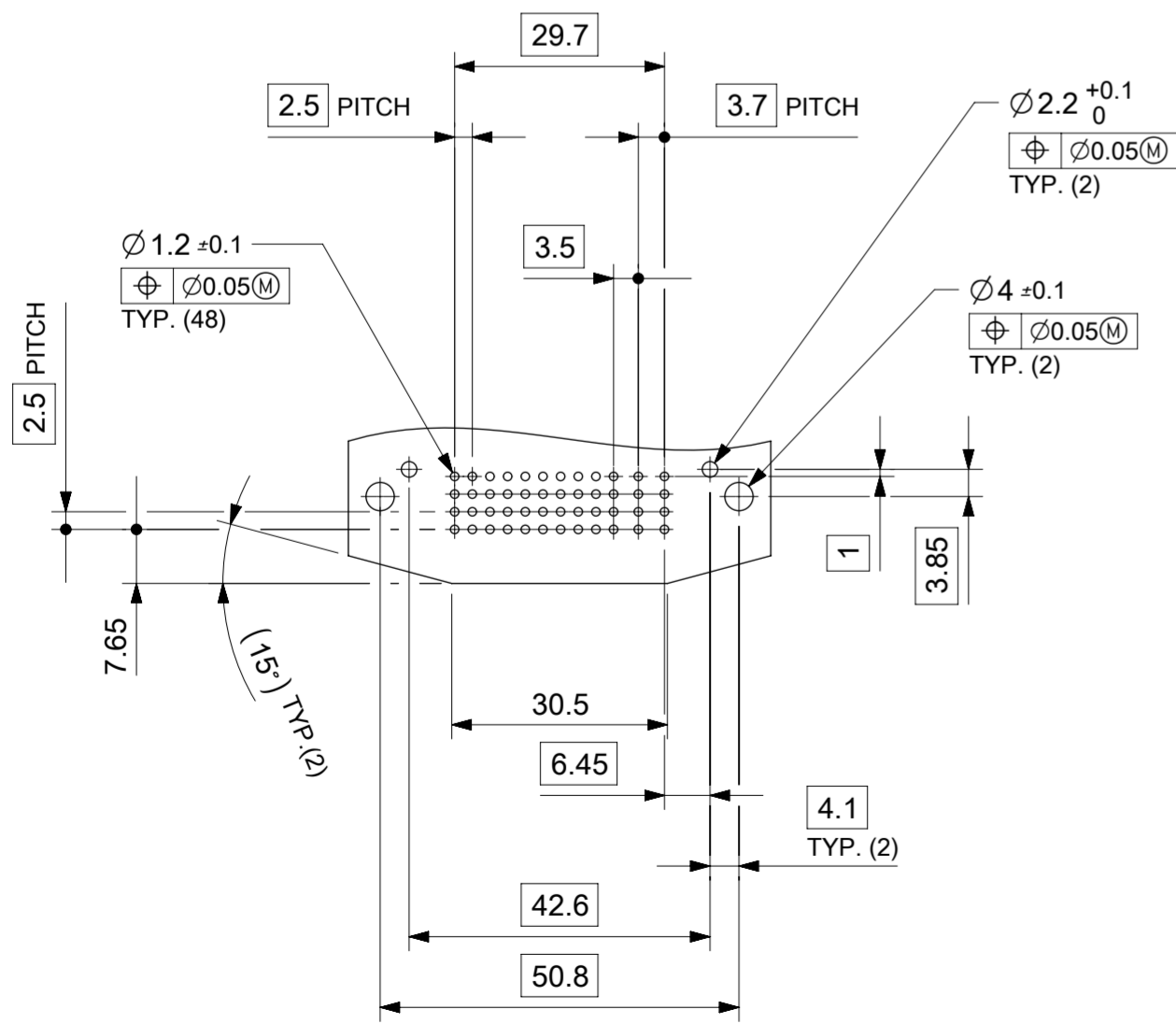
10 UNDER	±0.2
10 OVER 30 UNDER	±0.25
30 OVER	±0.3
ANGULAR	±2°
DRAFT WHERE APPLICABLE MUST REMAIN WITHIN DIMENSIONS	

637112	D	-REVISE PLASTIC & COPPER INFORMATION DESCRIPTION. -ADD PLATING THICKNESS. -ADD DIM TOLERANCE FOR CASING INTERFACING. -ADD PCB SIDE PIN POSITION. -REFER TO REVISION LETTER ① FOR DETAIL CHANGE.
627497	C1	REMOVE PAP INITIAL POSITION VIEW
621586	C	ADDING P/N -0581 TO -0583
JTR2016-0064 /10760248	B	ADDED KEY OPTION GRAY(500762-0482) D-6, C-1 CHANGED NOTES 1 FOR MATERIAL
JTR2014-0026 /10638694	A	ADDED KEY OPTION BROWN(500762-0483) B-10, C-1
JTR2009-0026 /10379065	0	INITIAL RELEASE
EC#	VERSION	DESCRIPTION

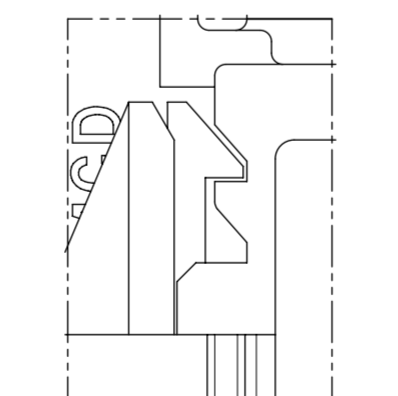
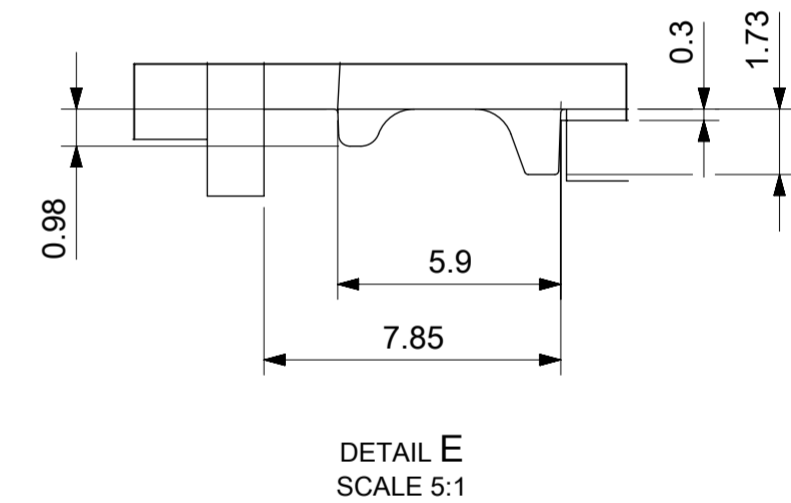
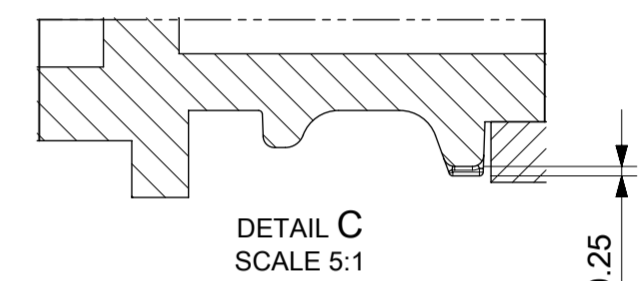
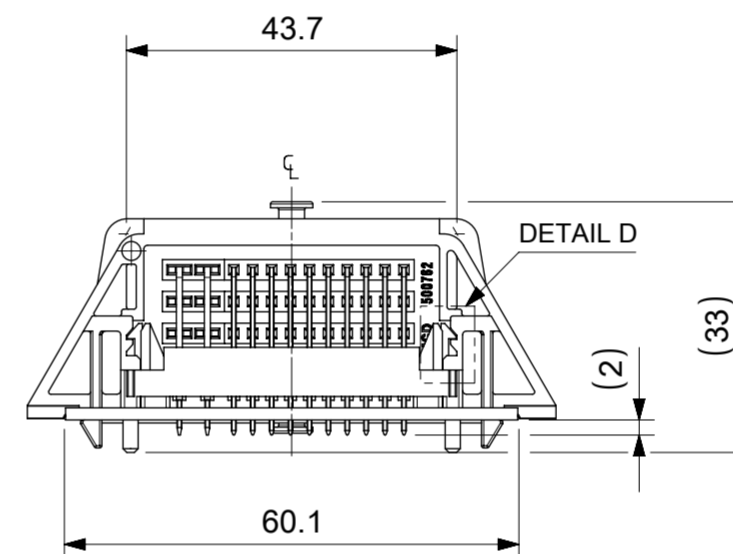
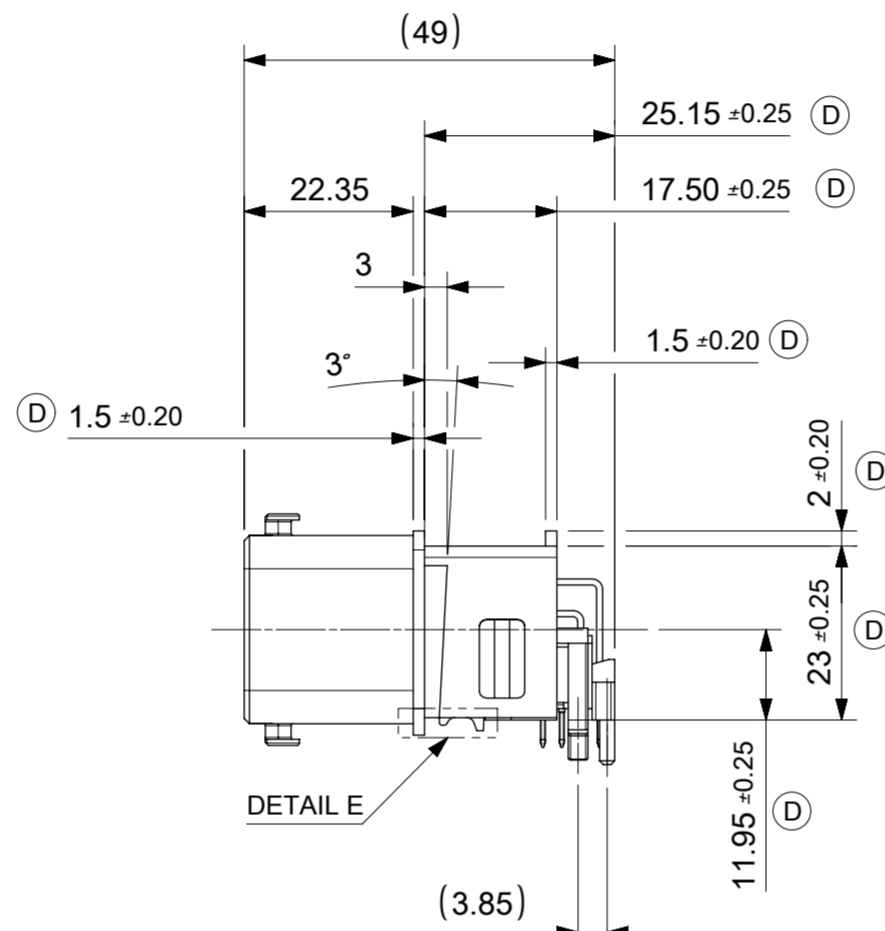
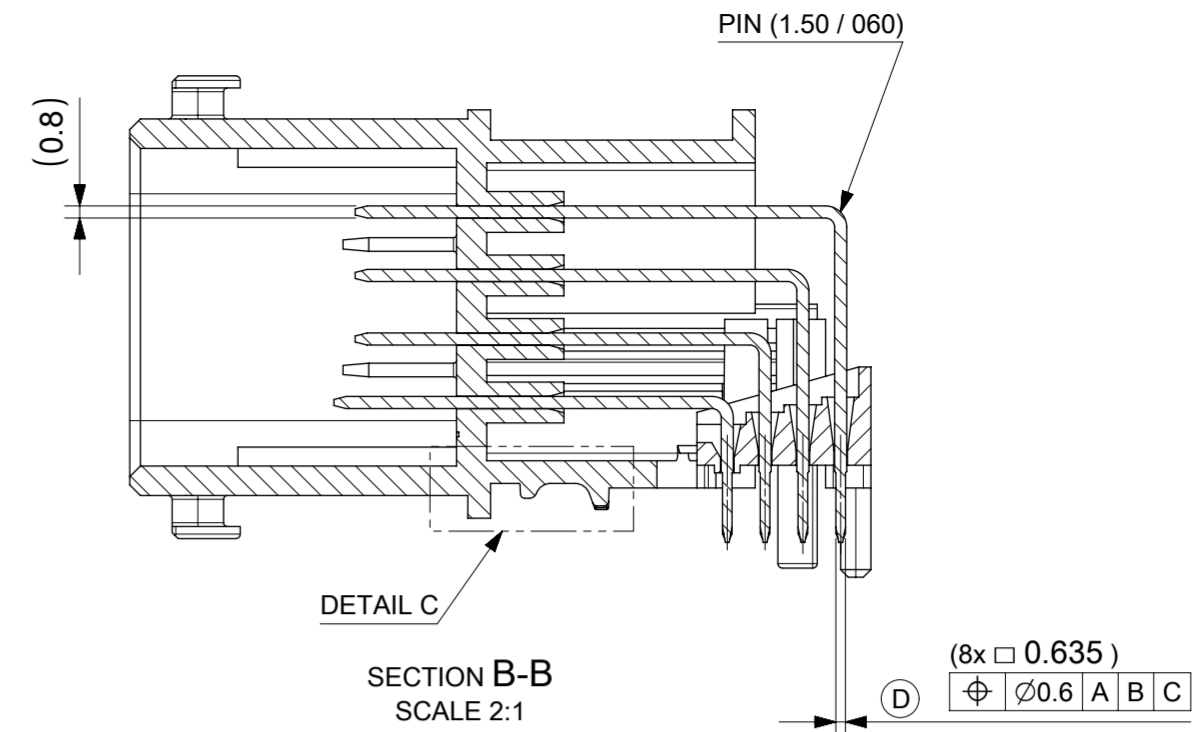
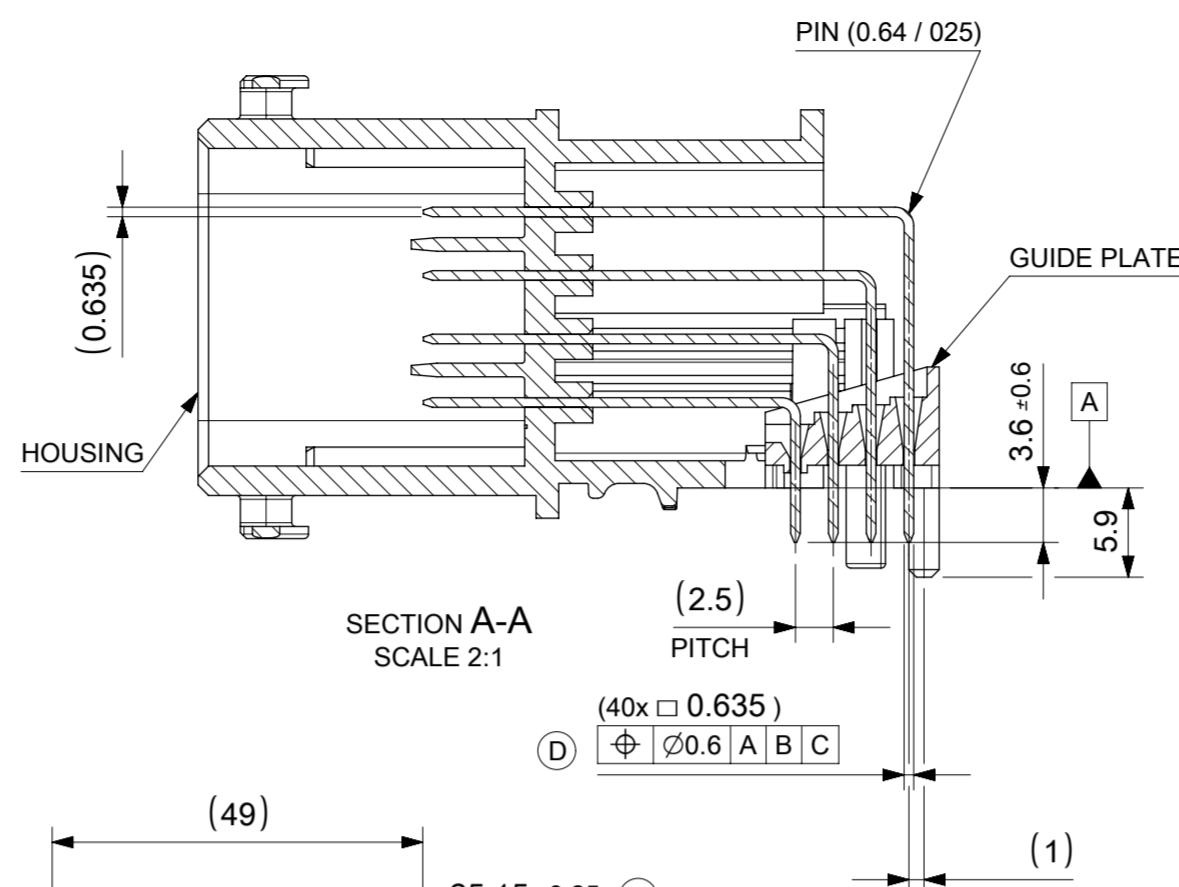
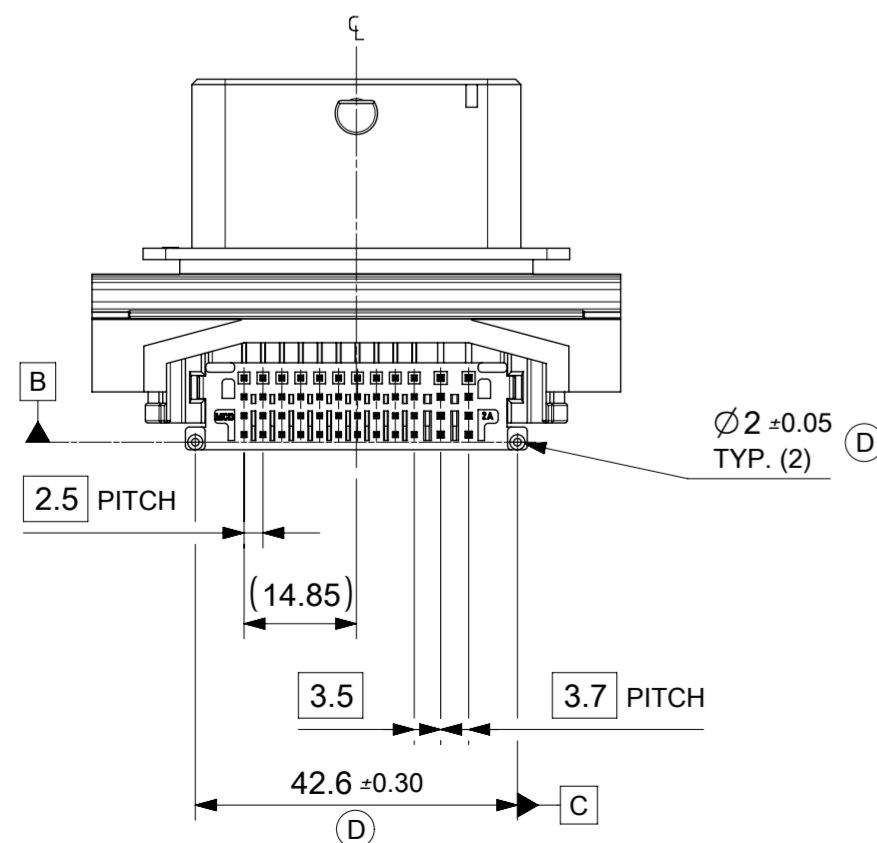
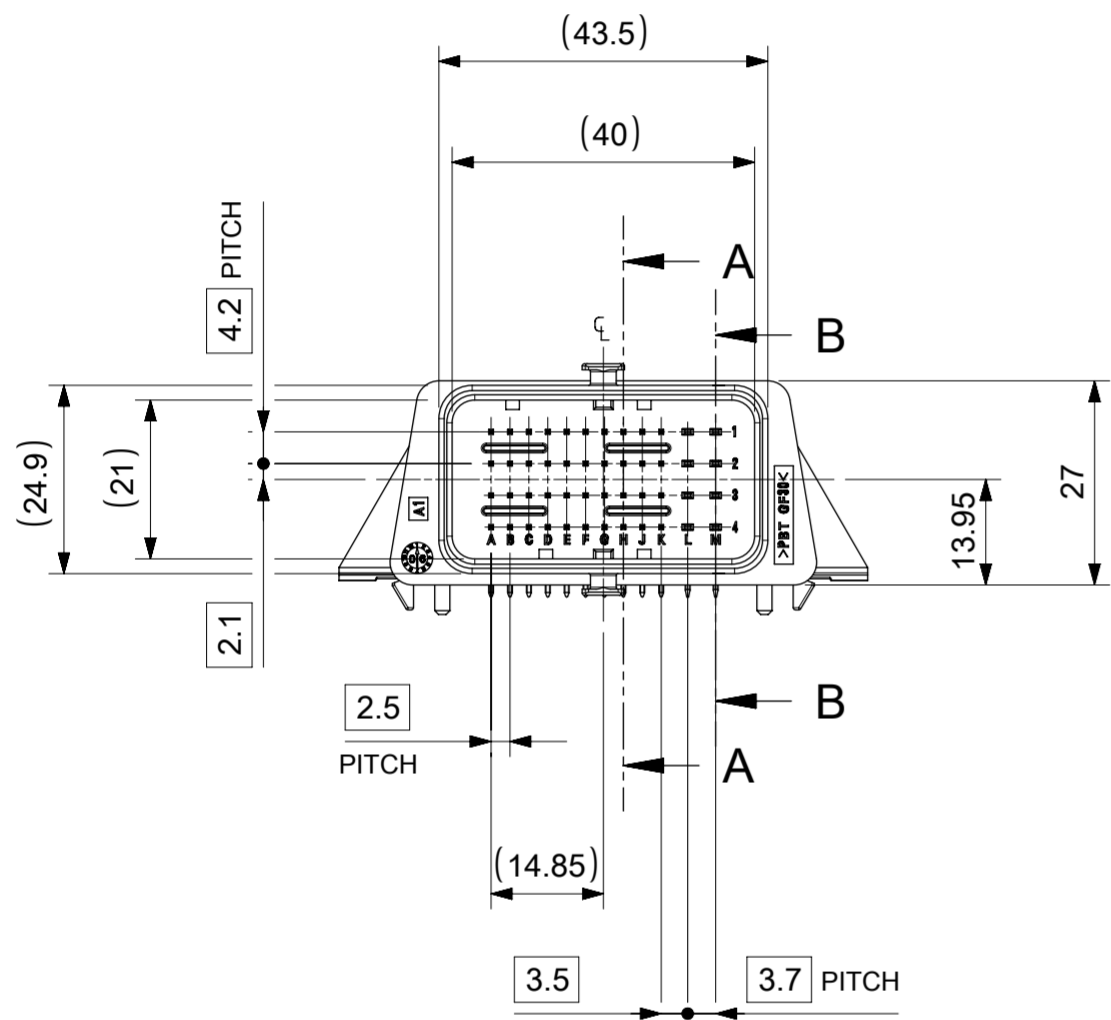
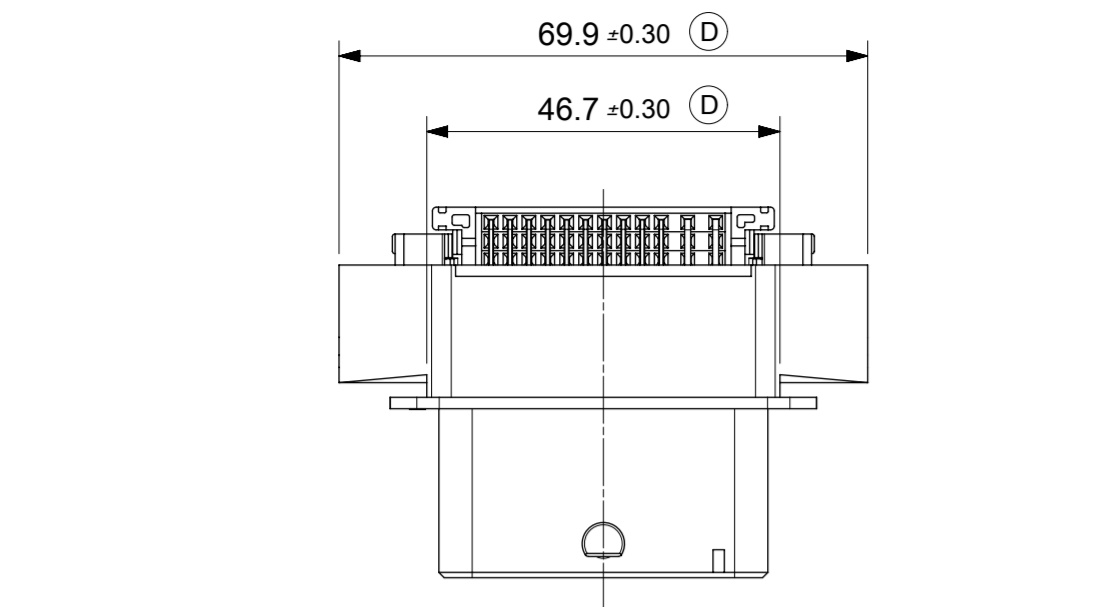
## MODIFICATION LOG

THIS DRAWING CONTAINS INFORMATION THAT IS PROPRIETARY TO MOLEX ELECTRONIC TECHNOLOGIES, LLC AND SHOULD NOT BE USED WITHOUT WRITTEN PERMISSION

DIMENSION UNITS	SCALE	CURRENT REV DESC: SEE MODIFICATION LOG		
mm	1:1			
GENERAL TOLERANCES (UNLESS SPECIFIED)		<p>EC NO: 637112</p> <p>DRWN: ACOIFFIER 2020/02/12</p> <p>CHK'D: HWBAI 2020/05/14</p> <p>APPR: JDENG02 2020/05/14</p> <p>INITIAL REVISION:</p> <p>DRWN: SANDO 2008/08/08</p> <p>APPR: AKANESHIGE 2008/08/08</p>		
ANGULAR TOL	± °			
4 PLACES	±			
3 PLACES	±			
2 PLACES	±			
1 PLACE	±	<p>DOCUMENT NUMBER: SD-500762-001</p> <p>DOC TYPE: PSD</p> <p>DOC PART: 001</p> <p>REVISION: D</p>		
0 PLACES	±	<p>MATERIAL NUMBER: SEE TABLE</p> <p>CUSTOMER: GENERAL MARKET</p> <p>SHEET NUMBER: 1 OF 2</p>		
DRAFT WHERE APPLICABLE MUST REMAIN WITHIN DIMENSIONS		THIRD ANGLE PROJECTION	DRAWING: A2-SIZE	SERIES: 500762



RECOMMENDED PCB LAYOUT (COMPONENT SIDE)



P.C.B MOUNTING STATE  
DELIVERY POSITION

GUIDE PLATE POSITION

DETAIL D  
SCALE 5:1

THIS DRAWING CONTAINS INFORMATION THAT IS PROPRIETARY TO MOLEX ELECTRONIC TECHNOLOGIES, LLC AND SHOULD NOT BE USED WITHOUT WRITTEN PERMISSION													
DIMENSION UNITS <b>mm</b>		SCALE <b>1:1</b>		CURRENT REV DESC: SEE MODIFICATION LOG									
GENERAL TOLERANCES (UNLESS SPECIFIED)				<p><b>molex</b></p> <p>CMC HEADER 48PIN</p> <p>PRODUCT CUSTOMER DRAWING</p>									
ANGULAR TOL ± °													
4 PLACES ±		EC NO: 637112								2020/02/12		2020/05/14	
3 PLACES ±		DRWN: ACOIFFIER								2020/05/14		2020/05/14	
2 PLACES ±		CHK'D: HWBAI								2020/05/14		2020/05/14	
1 PLACE ±		APPR: JDENG02								2020/05/14		2020/05/14	
INITIAL REVISION:				2008/08/08		2008/08/08		2008/08/08					
1 PLACE ±		DRWN: SANDO		2008/08/08		2008/08/08		2008/08/08					
0 PLACES ±		APPR: AKANESHIGE		2008/08/08		2008/08/08		2008/08/08					
DRAFT WHERE APPLICABLE MUST REMAIN WITHIN DIMENSIONS			THIRD ANGLE PROJECTION		DRAWING <b>A2-SIZE</b>		SERIES <b>500762</b>		DOCUMENT NUMBER <b>SD-500762-001</b>				
					MATERIAL NUMBER SEE TABLE		CUSTOMER GENERAL MARKET		DOC TYPE PSD				
							DOC PART 001		REVISION D				
							SHEET NUMBER 2 OF 2						