




2.54mm screwless terminal blocks

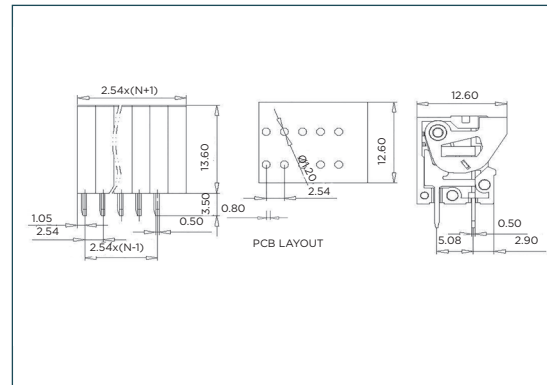
Product overview

- Interlocking modules
- Easily breakable to desired number of poles
- Guided pin alignment
- Choice of vertical or horizontal cable entry
- Moulded in green UL94-V0 PA66
- 0.08-1.3mm² cable (28-16AWG)
-  approved

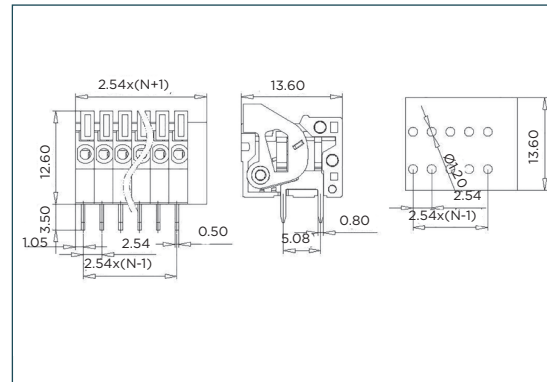
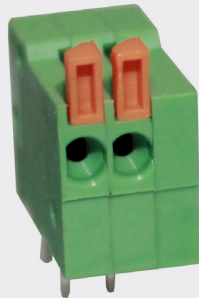
SPECIFICATION

Rating	10A/300V
Insulation withstand voltage	AC1250V/1 min
Insulation resistance	500MΩ at DC500V
Operating temperature	-40°C to +115°C
Moulding	UL94-V0 PA66
Pin/contact	Tin plated brass
Recommended PCB hole size	1.1mm

PART NO.	POLES	LENGTH
CSTBP254V/2	2	7.6mm
CSTBP254V/3	3	10.2mm
CSTBP254V/4	4	12.7mm
CSTBP254V/5	5	15.2mm
CSTBP254V/6	6	17.8mm
CSTBP254V/7	7	20.3mm
CSTBP254V/8	8	22.9mm
CSTBP254V/9	9	25.4mm
CSTBP254V/10	10	27.9mm
CSTBP254V/11	11	30.5mm
CSTBP254V/12	12	33.0mm

CSTBP254V

PART NO.	POLES	LENGTH
CSTBP254H/2	2	7.6mm
CSTBP254H/3	3	10.2mm
CSTBP254H/4	4	12.7mm
CSTBP254H/5	5	15.2mm
CSTBP254H/6	6	17.8mm
CSTBP254H/7	7	20.3mm
CSTBP254H/8	8	22.9mm
CSTBP254H/9	9	25.4mm
CSTBP254H/10	10	27.9mm
CSTBP254H/11	11	30.5mm
CSTBP254H/12	12	33.0mm

CSTBP254H

KEY FEATURES

Dual row pins | Space saving pitch size | Modular design

