

REVISION RECORD				
REV	ECN	DESCRIPTION	DRFT	DATE

NOTES1:

UL Standard

- 1. Rated Voltage/Current : 300V / 10A
- 2. Withstanding Voltage : AC1600V/1Min.
- 3. Wire Range : 26~12AWG

IEC Standard

1. Pollution Degree	2
Overvoltage Category	III
Rate Impulse Voltage(KV)	4KV
Rate Voltage(V)	320V
Rate Current(A)	20A

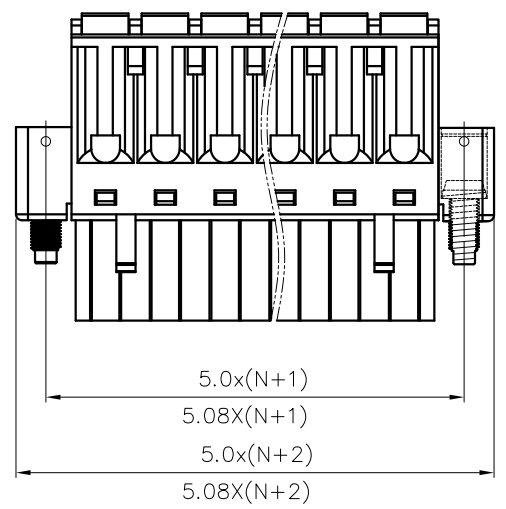
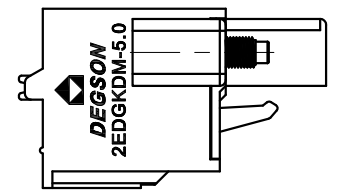
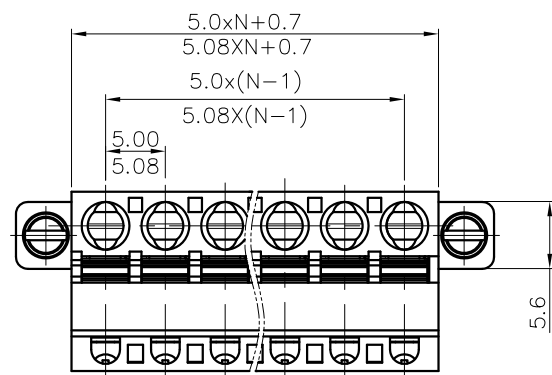
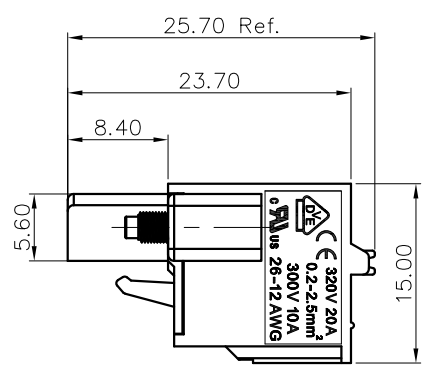
2. Wire Range : 1.0~2.5mm²

NOTES2:

- 1. Dimension shall be interpreted per ASME Y14.5-2009
- 2. Pitch : 5.00/5.08mm, Poles : N=02-22P/02-16P
- 3. Stripping length : 9~10mm
- 4. Operating temperature: -40°C~+105°C
- 5. Undimensioned Tolerances:

Pitch range in mm	Nominal dimension range in mm						- / □	
	Over 6 TO 10	Over 10 TO 24	Over 30 TO 30	Over 60 TO 60	Over 100 TO 100	Over 150 TO 150		
±0.15	±0.20	±0.30	±0.30	±0.50	±0.70	±1.00	±1.30	±2'

6. RoHS Compliance



2EDGKDM - 5.0/5.08 - XXP - 1Y - 00A (H)

(Series No.) (Pitch) (Poles) (Single Pitch) (Color): 1.(Grey)
 2.(Blue)
 3.(Black)
 4.(Green)
 5.(Orange)
 6.(Red)
 7.(Transparent)
 8.(Yellow)
 9.(White)

(RoHS)
 00A-(Standard)

DETACHED LISTS	PART NO.:	/			
	APPD:	/			
	CHKD:	/			
	DRFT:	/			
		<p>THIRD ANGLE PROJECTION</p>		<p>MM (INCH)</p>	
		DO NOT SCALE DRAWING		REV	DO
		DRAWING NO.:		SHEET	1/1
		/		SCALE	1:1

宁波高松电子有限公司
 NINGBO DEGSON ELECTRICAL CO., LTD

NAME: 2EDGKDM-5.0/5.08-XXP-1Y-00A(H)

TITLE: CUSTOMER DRAWING

REVISION RECORD

SCALE: 1:1