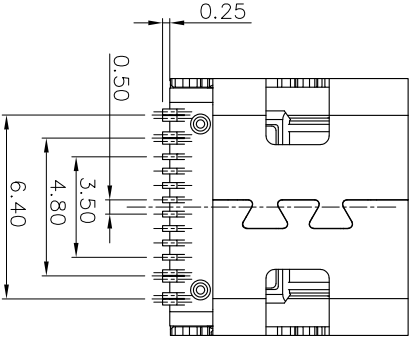
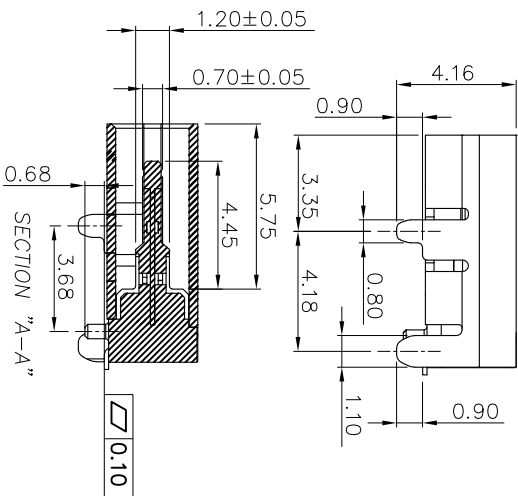
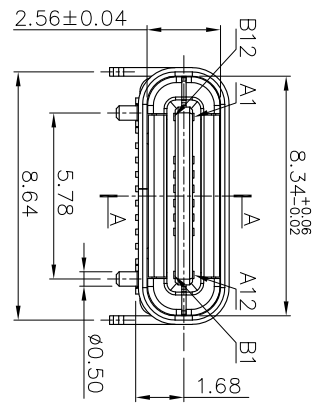
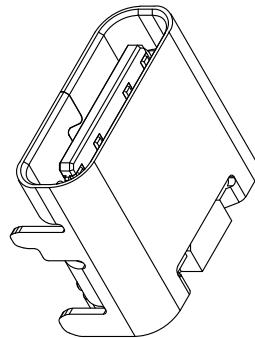
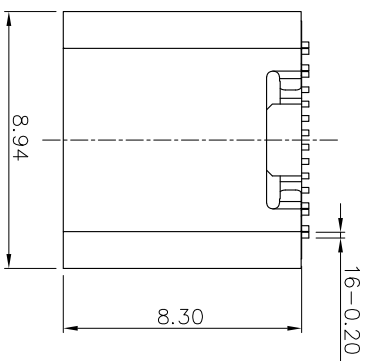
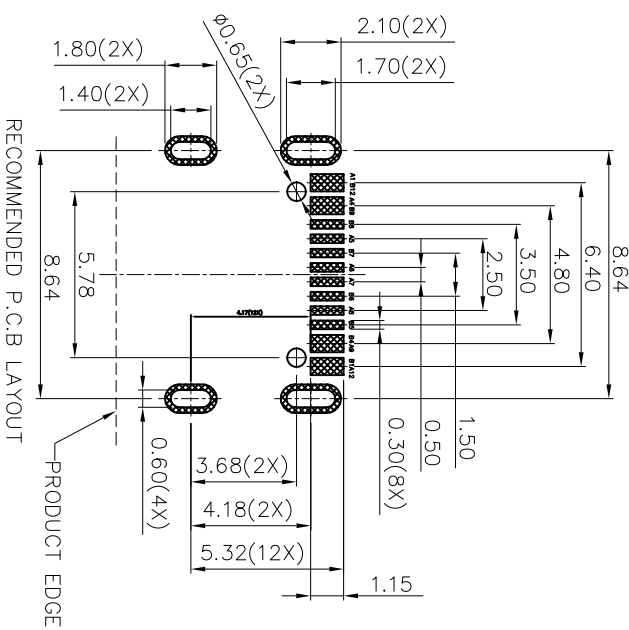


REV.	ECN. NO.	APPD.
A		



A1	GNL	B12	GNL
A4	VBUS	B9	VBUS
A5	CC1	B8	SRIZ
A6	DP1	B7	DNZ
A7	DN1	B6	DP2
A8	SRUI	B5	CC2
A9	VBUS	B4	VBUS
A12	GNL	B1	GNL
PIN	SIGNAL NAME	PIN	SIGNAL NAME

- NOTE:
- MATERIAL:
    - INSULATOR: HIGH TEMPERATURE PLASTIC UL 94 V-0;
    - CONTACT: COPPER ALLOY
    - SHELL: STAINLESS STEEL.
  - ELECTRICAL CHARACTERISTICS:
    - CONTACT RESISTANCE: 40mΩ Max FOR INITIAL. 30mΩ CHANGE AFTER TEST. MEASURE AT 20mv, 100mA.
    - CONTACT CURRENT RATING: 5A FOR VBUS PIN; 1.25A FOR YCONN PIN.
    - DIELECTRIC WITHSTANDING VOLTAGE: 100V AC R.M.S.
    - INSULATION RESISTANCE: 100MΩ Min
    - OPERATING TEMPERATURE: -40°C ~ 85°C
  - MECHANICAL CHARACTERISTICS:
    - MATING FORCE: 5~20 N.
    - UNMATED FORCE: 8~20N AFTER TEST
    - DURABILITY: 10,000 CYCLES
  - PLATING
    - TERMINAL CONTACT: (SEE TAB) GOLD PLATING ALL OVER 50u" Min NICKEL AND 80u"Min Tin ALL OVER 50u" Min NICKEL ON SOLDER AREA
    - SHELL: 50u" Min. NICKEL ALL OVER.



X.	±0.30	X.°	±5°	UNITS	mm	NAME(INTENDED USE)	
.X	±0.20	.X°	±2°	MATL		PART NO.(INTENDED USE)	
.XX	±0.10	.XX°	±1°	FINISH		TITLE:	TYPE C 16P母座板 L: J=8.30
.XXX	±0.05	.XXX°	±0.5°			APPD:	SUNNY
				TYPE C CONNECTOR	QTY	CHKD:	LISA
						DR:	ZOE
						DWG NO.:	20009-UCAP001-X
						SCALE	1/1
						SHEET	1/1
						REV.	A

**MINTRON CO., LTD.**

