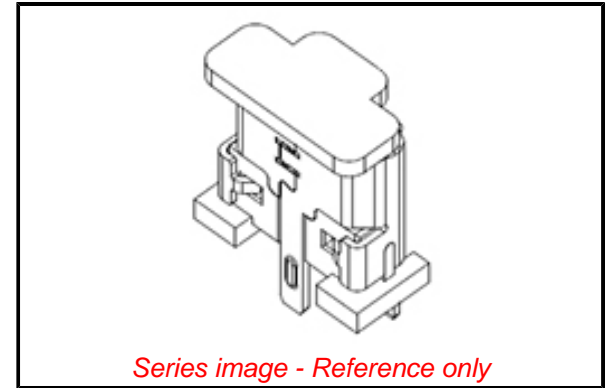


PLEASE CHECK WWW.MOLEX.COM FOR LATEST PART INFORMATION

Part Number: [1051330021](#)
Status: **Active**
Overview: [USB Products and Solutions](#)
Description: Micro-USB B Receptacle with Flange, Vertical, Surface Mount, 7.80mm Height, 2.30mm Solder Tabs, Lead-Free

Documents:

3D Model	Packaging Specification PK-105133-002 (PDF)
3D Model (PDF)	Test Summary TS-105133-021-001 (PDF)
Drawing (PDF)	RoHS Certificate of Compliance (PDF)
Product Specification PS-47642-001-001 (PDF)	



Agency Certification

UL E107635

General

Product Family	I/O Connectors
Series	105133
Application	Wire-to-Board
Comments	Signal contacts 1.0A, Power contacts 1.8A
Component Type	Receptacle
Overview	USB Products and Solutions
Product Name	USB 2.0
Type	Micro-B
UPC	887191406022

Physical

Circuits (Loaded)	5
Circuits (maximum)	5
Color - Resin	Black
Durability (mating cycles max)	10000
Flammability	94V-0
Gender	Female
Keying to Mating Part	Yes
Lock to Mating Part	No
Material - Metal	Copper Alloy
Material - Plating Mating	Gold over Palladium Nickel
Material - Plating Termination	Gold
Material - Resin	Liquid Crystal Polymer
Net Weight	0.425/g
Number of Rows	1
Orientation	Vertical
PCB Retention	None
Packaging Type	Embossed Tape on Reel
Panel Mount	No
Pitch - Mating Interface	0.65mm
Pitch - Termination Interface	0.65mm
Polarized to Mating Part	Yes
Ports	1
Surface Mount Compatible (SMC)	No
Temperature Range - Operating	-30° to +85°C
Termination Interface: Style	Surface Mount
Waterproof / Dustproof	No

Electrical

Current - Maximum per Contact	1.8A, 1.0A
Voltage - Maximum	30V AC (RMS)

EU ELV

Not Relevant

EU RoHS

Compliant

REACH SVHC

Not Contained Per -
D(2020)4578-DC (25
June 2020)

Halogen-Free

Status

Low-Halogen

For more information, please visit [Contact US](#)

China ROHS

ELV

RoHS Phthalates

China RoHS

Green Image

Not Relevant

Not Contained

Search Parts in this Series

[105133 Series](#)

Material Info

Reference - Drawing Numbers

Packaging Specification

PK-105133-002

Product Specification

PS-47642-001-001

Sales Drawing

SD-105133-021

Test Summary

TS-105133-021-001

This document was generated on 07/15/2020

PLEASE CHECK WWW.MOLEX.COM FOR LATEST PART INFORMATION