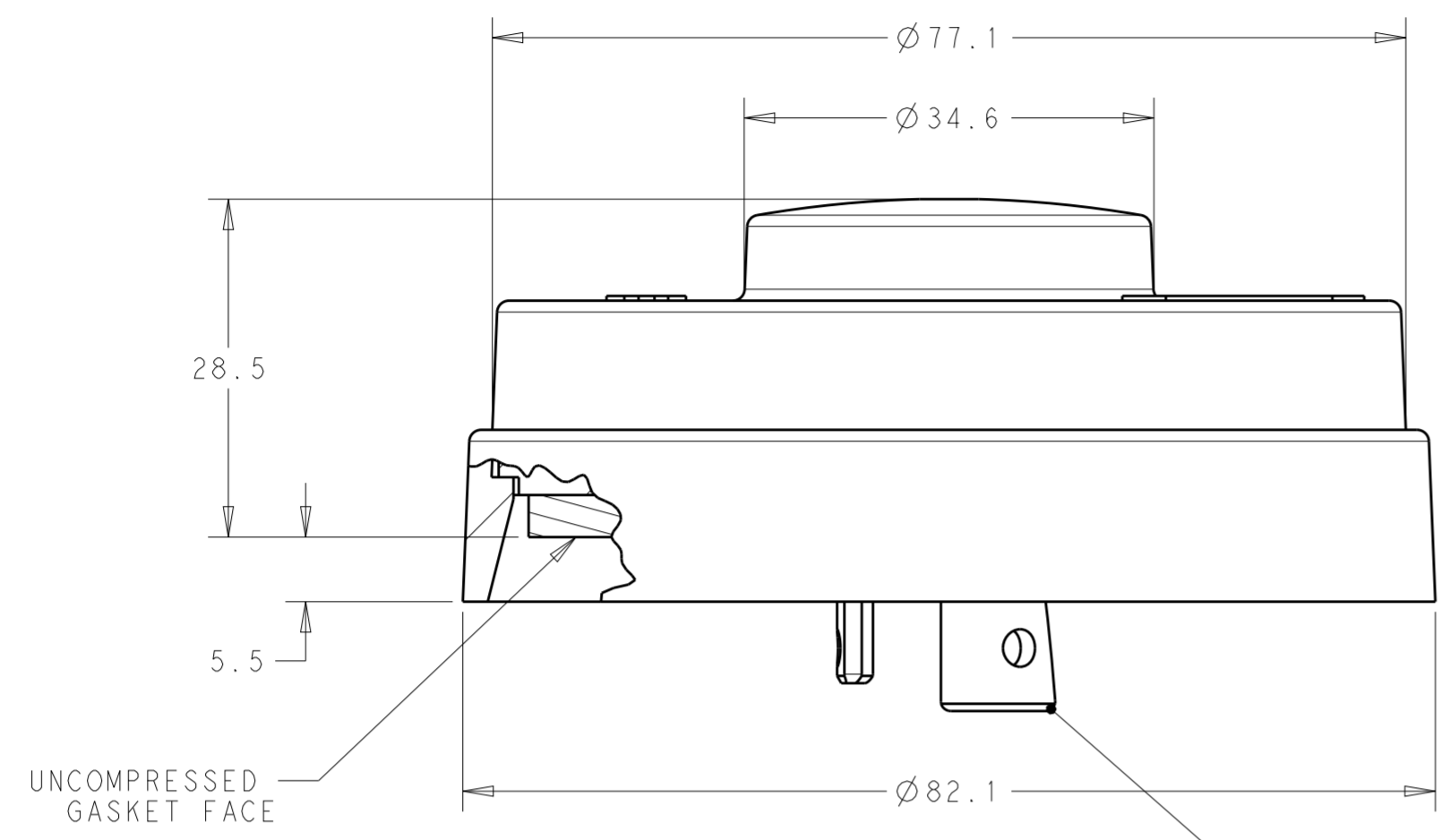
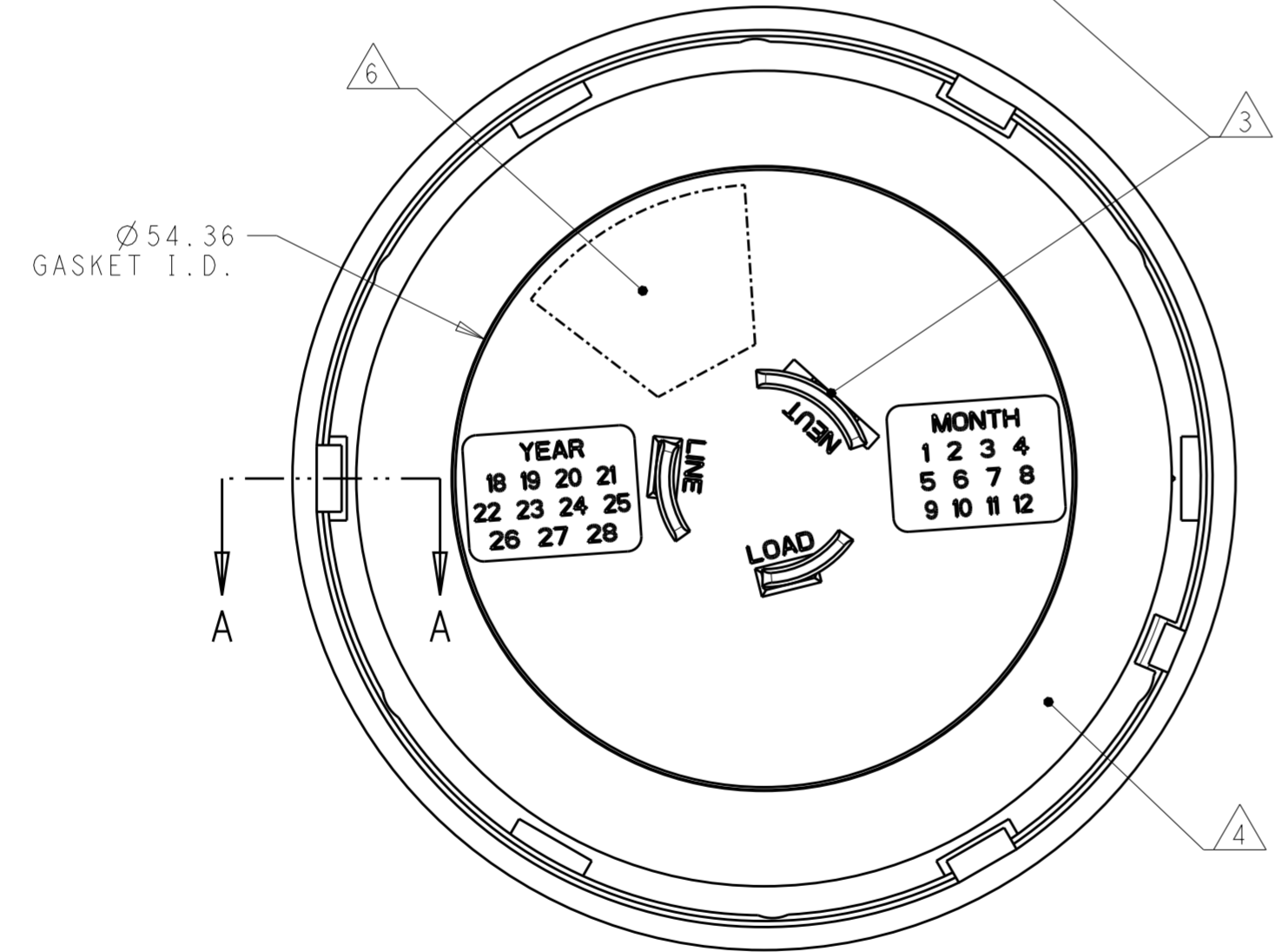


THIS DRAWING IS UNPUBLISHED. RELEASED FOR PUBLICATION  
 © COPYRIGHT copyright.d8te- ALL RIGHTS RESERVED.

| REVISIONS |     |                           |           |     |      |
|-----------|-----|---------------------------|-----------|-----|------|
| P         | LTR | DESCRIPTION               | DATE      | DWN | APVD |
|           | A   | RELEASE PER ECR-19-000700 | 16JAN2019 | JS  | DD   |
|           | A1  | REVISED PER ECR-19-003367 | 05MAR2019 | SR  | DD   |
|           | A2  | REVISED PER ECR-19-008525 | 31MAY2019 | SR  | DD   |



SECTION A - A



- 1 MATERIALS:  
 HOUSING: PBT  
 LINE VOLTAGE CONTACTS: COPPER ALLOY  
 SHORTING CLIP: COPPER ALLOY  
 GASKET: NBR/PVC BLEND  
 O-RING: SILICONE RUBBER  
 COVER: PBT, UL UV-f1 RATED
- 2 FINISH:  
 LINE VOLTAGE CONTACTS: MATTE TIN PLATE
- 3 MATING INTERFACE PER ANSI C136.10.
- 4 ADHESIVE BACKED GASKET APPLIED
- 5. THIS PRODUCT HAS NOT COMPLETED VALIDATION TESTING.
- 6 PRODUCT INFORMATION LABEL



TOP VIEW FOR REFERENCE

|           |  |           |
|-----------|--|-----------|
| RED       | OPEN                                       | 2328118-3 |
| BLACK     | SHORTING AND SURGE PROTECTION (545 JOULES) | 2328118-2 |
| BLACK     | SHORTING                                   | 2328118-1 |
| CAP COLOR | DESCRIPTION                                | PART NO.  |

|  |  |                                |                                    |           |
|--|--|--------------------------------|------------------------------------|-----------|
| THIS DRAWING IS A CONTROLLED DOCUMENT. |  | DWN<br>C. DAILY<br>23JAN2018   | <b>STE</b> TE Connectivity         |           |
|  |  | CHK<br>M. STOLLER<br>23JAN2018 |                                    |           |
| DIMENSIONS:                            | TOLERANCES UNLESS OTHERWISE SPECIFIED:                     | APVD                           | NAME                               |           |
| mm                                     | 0 PLC ±<br>1 PLC ±0.2<br>2 PLC ±0.13<br>3 PLC ±<br>4 PLC ± | -                              | ASSEMBLY,<br>LUMAWISE SHORTING CAP |           |
|  | ANGLES ±1°   | PRODUCT SPEC                   | SIZE                               | CAGE CODE |
| MATERIAL                               | FINISH   | APPLICATION SPEC               | A2                                 | 00779     |
| SEE TABLE                              | -  | WEIGHT                         | DRAWING NO. C-2328118              |           |
| -                                      | -  | CUSTOMER DRAWING               | SCALE                              | SHEET     |
|  |  |                                | 7:4                                | 1 OF 1    |
|  |  |                                |                                    | REV A2    |