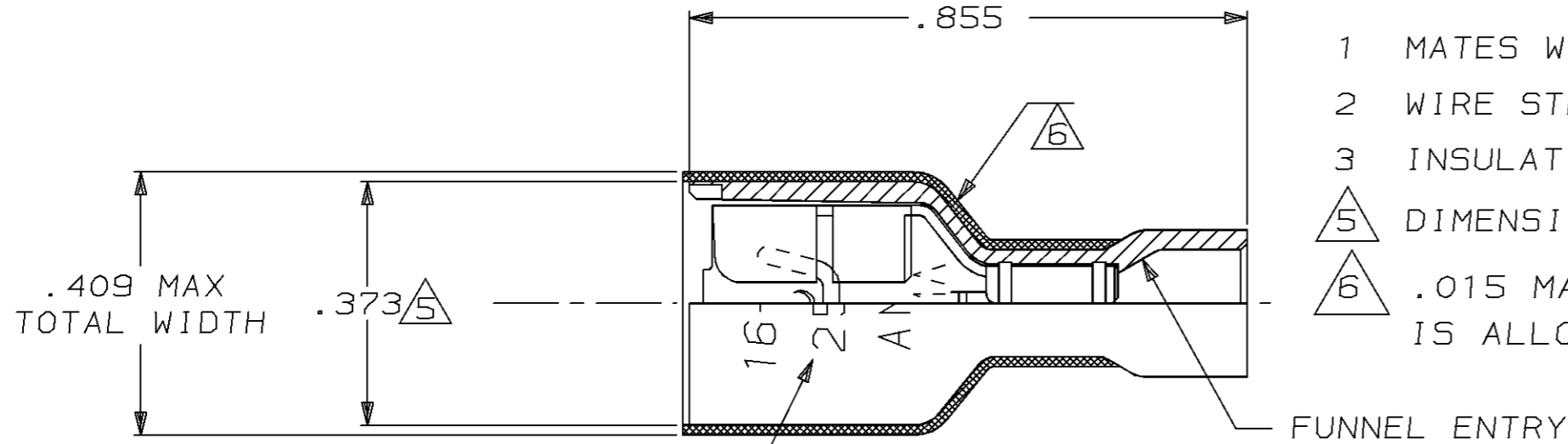


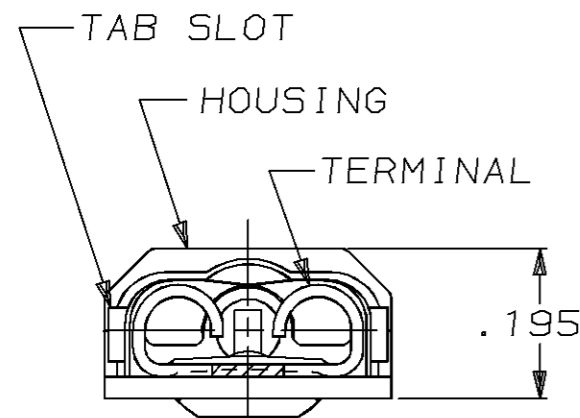
THIS DRAWING IS UNPUBLISHED. RELEASED FOR PUBLICATION, 19  
 © COPYRIGHT 19 BY AMP INCORPORATED. ALL INTERNATIONAL RIGHTS RESERVED.

LOC	DIST	P	F	REVISIONS				
AF	50			ZONE	LTR	DESCRIPTION	DATE	APPD
					N	REV PER 0710-0057-95	2/16/95	JR
								JW

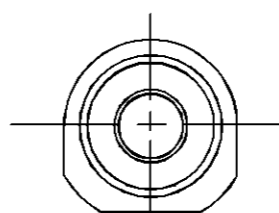
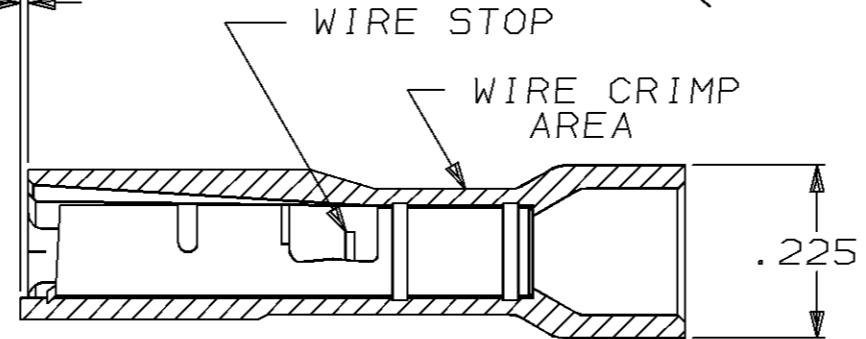



- 1 MATES WITH .032±.001×.250 TAB, PER NEMA DC-2
- 2 WIRE STRIP LENGTH .281
- 3 INSULATION SIZE .160 MAX DIA
- △5 DIMENSION DOES NOT INCLUDE TRIM BURR
- △6 .015 MAX CARRIER TRIM BURR PER SIDE IS ALLOWABLE IN THE SHADED AREA

WIRE AND RECEPTACLE SIZE IDENTIFICATION { 16-14  
250  
AMP



.010 MAX CUT-OFF TAB



HOUSING: NYLON, COLOR-BLUE TRANSLUCENT		3-350820-2	
RECEPTACLE: #3 HARD BRASS TIN PL .000080 MIN THK			
MATERIAL & FINISH		PART NO	
DO NOT SCALE PRINT. UNLESS SPECIFIED DIMENSIONS IN INCHES TOLERANCES ON: 2 PLC DEC ± - 3 PLC DEC ± .015 ANGLES ± -	DR 10/5/88 P FORTNEY	 AMP INCORPORATED Harrisburg, Pa. 17105	
	CHK 10/6/88 JR RUTH		
MATERIAL SEE TABLE	APPD 10/6/88 KA RANDOLPH	NAME RECEPTACLE ASSY, ULTRA-FAST, LOOSE PIECE, .250 SERIES, 16-14 AWG	
	APPD 10/6/88 TL SHUTTER	SIZE <b>B</b>	FSCM NO 00779
FINISH SEE TABLE	PRODUCT SPEC 108-2043	DRAWING NO 350820	
	APPLICATION SPEC 114-2123	SCALE 4:1	SHEET 1 OF 1
	WEIGHT -		