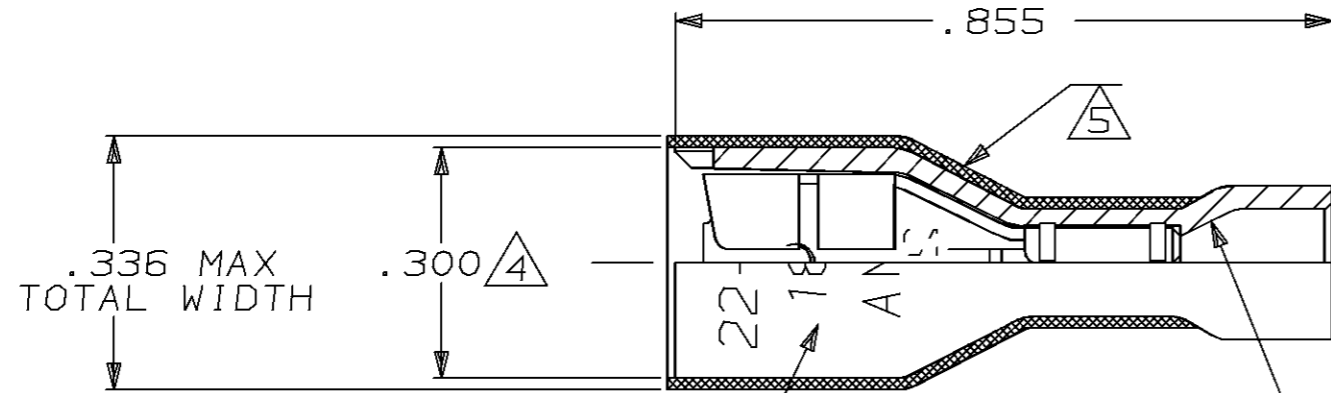
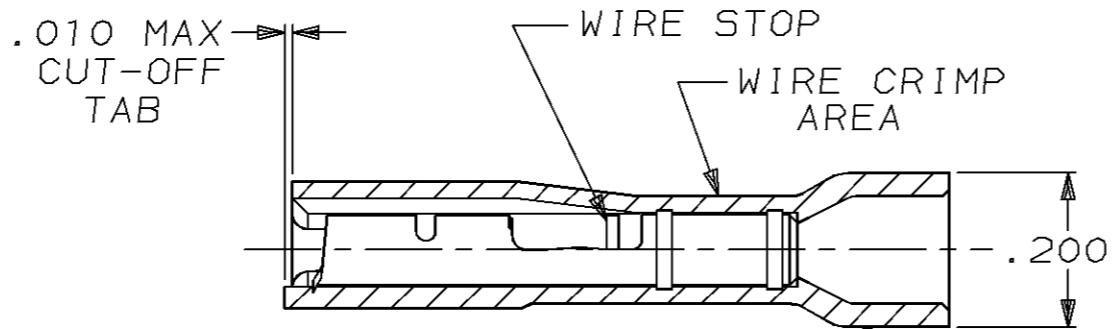
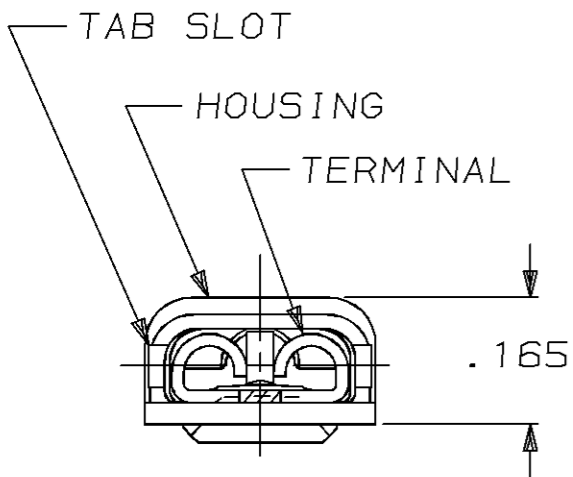


THIS DRAWING IS UNPUBLISHED. RELEASED FOR PUBLICATION, 19
 © COPYRIGHT 19 BY AMP INCORPORATED. ALL INTERNATIONAL RIGHTS RESERVED.

| LOC | DIST | P | F | ZONE | LTR | REVISIONS | DATE | APPD |
|-----|------|---|---|------|-----|----------------------|---------|-------|
| AF | 50 | | | | L | REV PER 0710-0057-95 | 2/15/95 | JR/JW |



- 1 MATES WITH .020±.001×.187 TAB, PER NEMA DC-2
- 2 WIRE STRIP LENGTH .281
- 3 INSULATION SIZE .135 MAX DIA
- 4 DIMENSION DOES NOT INCLUDE TRIM BURR
- 5 .015 MAX CARRIER TRIM BURR PER SIDE IS ALLOWABLE IN THE SHADED AREA



WIRE AND RECEPTACLE { 22-18
 SIZE IDENTIFICATION { 187
 AMP

| | | | |
|--|---|---|------------------|
| HOUSING: NYLON, COLOR-RED TRANSLUCENT | | 2-520182-2 | |
| RECEPTACLE: #3 HARD BRASS TIN PL .000080 MIN THK | | PART NO | |
| MATERIAL & FINISH | | AMP INCORPORATED Harrisburg, Pa. 17105 | |
| DO NOT SCALE PRINT. UNLESS SPECIFIED DIMENSIONS IN INCHES TOLERANCES ON: 2 PLC DEC ± - 3 PLC DEC ± .015 ANGLES ± - | DR 10/7/88 P FORTNEY CHK 10/10/88 MS FEHER APPD 10/10/88 K RANDOLPH APPD 10/10/88 TL SHUTTER PRODUCT SPEC 108-2043 | NAME RECEPTACLE ASSY, ULTRA-FAST, LOOSE PIECE, .187 SERIES, 22-18 AWG | |
| MATERIAL SEE TABLE | FINISH SEE TABLE | SIZE B | FSCM NO 00779 |
| | | DRAWING NO 520182 | SCALE 4:1 |
| | | SHEET 1 OF 1 | |