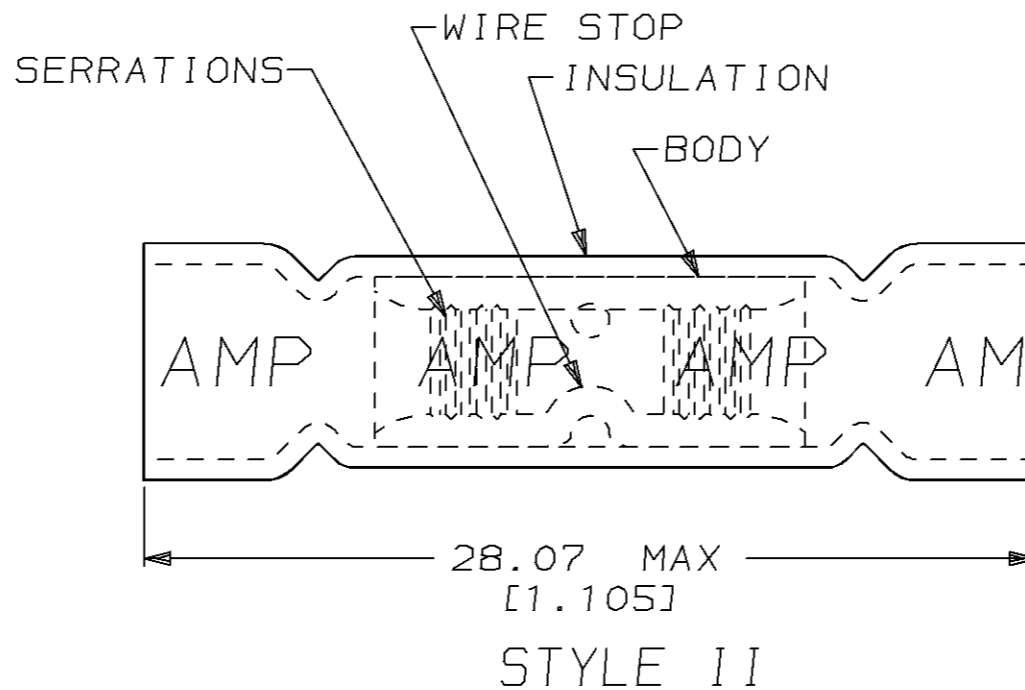
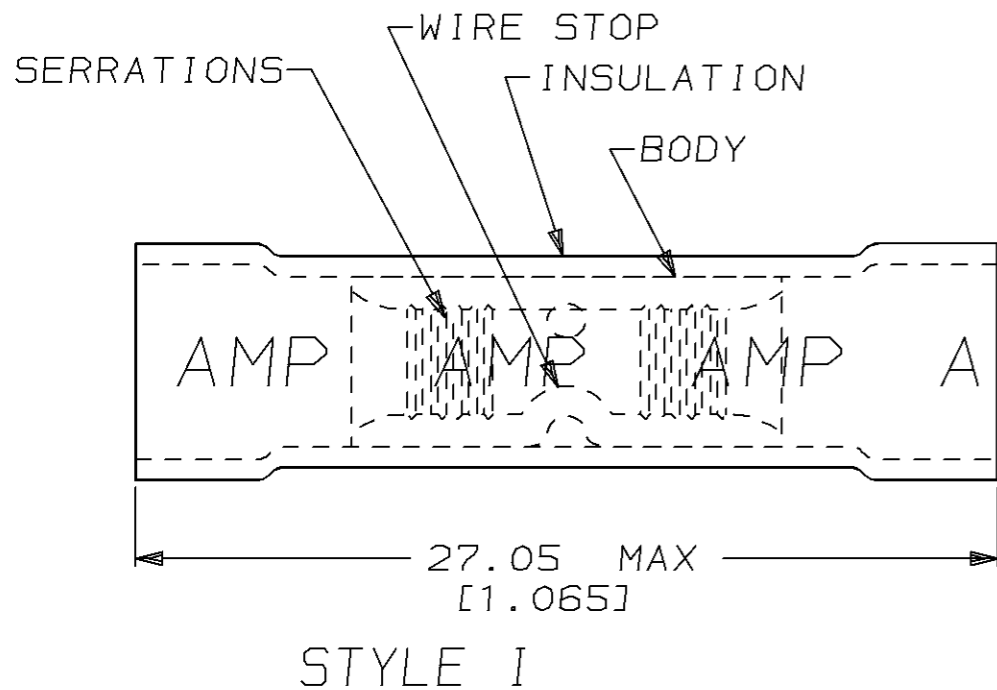


THIS DRAWING IS UNPUBLISHED. RELEASED FOR PUBLICATION ,19 .
 © COPYRIGHT 19 BY AMP INCORPORATED. ALL RIGHTS RESERVED.

LOC	DIST	REVISIONS			
P	LTR	DESCRIPTION	DATE	DWN	APVD
G	14	L	0720-0863-96 (VOIDED) BY 0L20-0041-96	03DEC96	MLE SB

AMP WIRE RANGE	E13288	LR7189 Certified
16-14 AWG SOLID OR STRANDED	16-14 AWG SOLID OR STRANDED	16-14 AWG SOLID OR STRANDED



1. WIRE INSUL DIA,
2.92-4.32 [.115-.170]

STYLE	QTY	PACKAGE TYPE	PART NO
I	50	LOOSE PIECE, BAG	8-34071-5
I	5	LOOSE PIECE, BLS	8-34071-4
I	100	LOOSE PIECE, BOX	8-34071-1
II	2500	ON TAPE, REEL	2-34071-3
II	1000	LOOSE PIECE	2-34071-2
I	2500	ON TAPE, REEL	2-34071-1
I	1000	LOOSE PIECE	34071

AMP INCORPORATED CUSTOMER SERVICE SYSTEM		MAX RECOMMENDED OPERATING TEMPERATURE: 90°C [194°F]	THIS DRAWING IS A CONTROLLED DOCUMENT FOR AMP INCORPORATED. IT IS SUBJECT TO CHANGE AND THE CONTROLLING ENGINEERING ORGANIZATION SHOULD BE CONTACTED FOR THE LATEST REVISION.		DWN M ELLIS 19JUL95	AMP AMP Incorporated Harrisburg, PA 17105-3608
FOR ADDITIONAL PRODUCT INFORMATION OR COPIES OF DRAWINGS AND TECHNICAL DOCUMENTS	PRODUCT INFORMATION CENTER 1-800-522-6752		DIMENSIONS: mm [in]	TOLERANCES UNLESS OTHERWISE SPECIFIED:	CHK C PRESNELL 19JUL95	
FOR APPLICATION TOOLING INFORMATION	TOOLING ASSISTANCE CENTER 1-800-722-1111	VOLTAGE RATING: 600V MAX 1000V (FIXTURES OR SIGNS)		0 PLC ±- 1 PLC ±- 2 PLC ±- 3 PLC ±- 4 PLC ±- ANGLES ±-	APVD S BORTNER 19JUL95	SPLICE, BUTT, PLASTI-GRIP™, WIRE SIZE, 16-14 AWG
FOR ORDER ENTRY	1-800-526-5142	CIRCULAR MIL AREA: 1.04mm²-2.62mm² [2050-5180]	MATERIAL BODY, CU ASTM B 152 SLV, PVC, COLOR, BLUE	FINISH TIN PLATE PER MIL-T-10727	PRODUCT SPEC UL486A	SIZE A3
					APPLICATION SPEC -	CAGE CODE 00779
					WEIGHT -	DRAWING NO C-34071
					CUSTOMER DRAWING	SCALE 4:1
						SHEET 1 OF 1
						REV L