

THIS DRAWING IS UNPUBLISHED. RELEASED FOR PUBLICATION
 © COPYRIGHT BY TYCO ELECTRONICS CORPORATION. ALL INTERNATIONAL RIGHTS RESERVED.

LOC	DIST	REVISIONS					
G	14	P	LTR	DESCRIPTION	DATE	DWN	APVD
		N1		REVISED PER ECR-09-021767	05OCT09	JR	TM

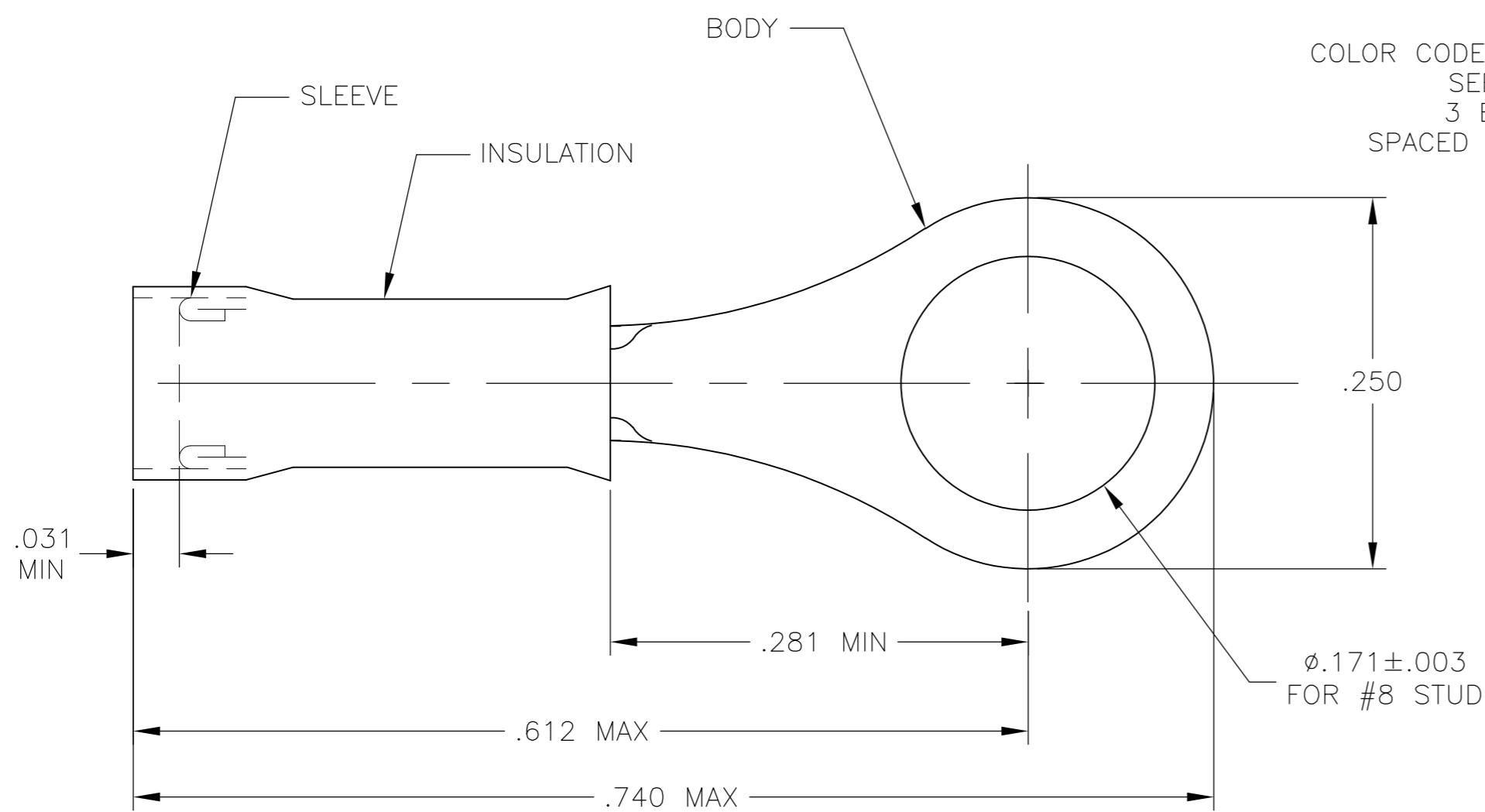


FIGURE 1

FOR .050 TO .082 WIRE INSULATION DIA

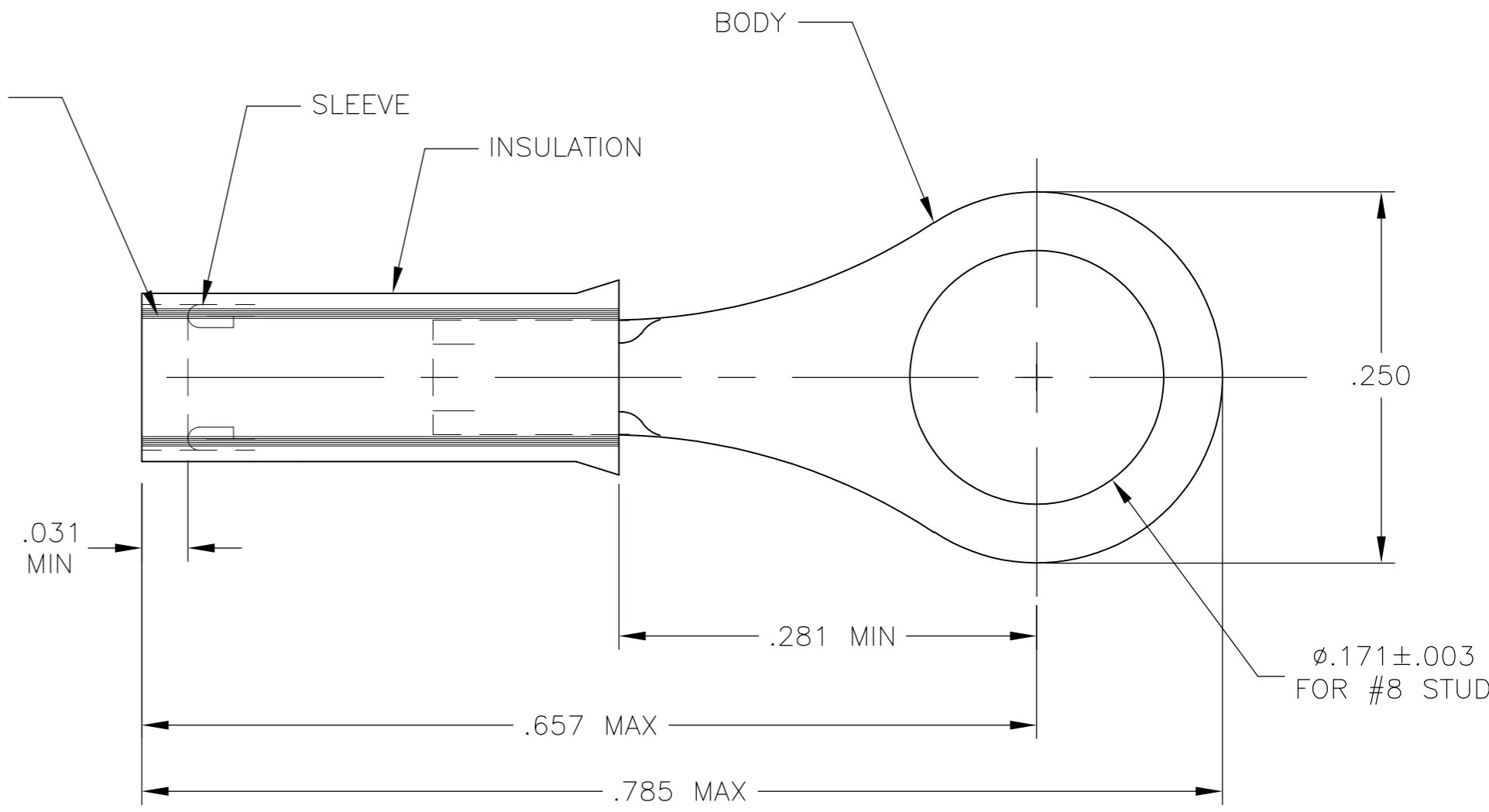


FIGURE 2
INSULATION RESTRICTING

FOR X/Y WIRE INSULATION DIA

1 TONGUE MATERIAL THK IS .018±.002

OBSOLETE

1	WIRE TERMINAL INSULATION RESTRICTING	BODY: COPPER (ASTM-B152) TIN PL (ASTM-B545) SLEEVE: COPPER (ASTM-B152) NICKEL PL. (QQ-N-290) INSULATION: NYLON COLOR: YELLOW (ASTM-D4066) TYPE 1	2-323916-3
1			2-323916-2
100	LOOSE PC, BOX		8-323916-1
4000	323916 ON TAPE	BODY & SLEEVE: COPPER (ASTM-B152) TIN PL (ASTM-B545)	2-323916-1
1	WIRE TERMINAL	INSULATION: NYLON COLOR: YELLOW (ASTM-D4066) TYPE 1	323916
QTY	DESCRIPTION	MATERIAL & FINISH	PART NO

8-323916-1	FIGURE 1	#26-#22	NONE	-	
2-323916-3	FIGURE 2	#24	BLUE	.031/.055	
2-323916-2	FIGURE 2	#26	BLACK	.026/.055	
323916	FIGURE 1	#26-#22	NONE	-	2-323916-1
PART NO.	STYLE	WIRE SIZE	STRIPE COLOR	"X/Y"	PART NO. ON TAPE

OBSOLETE

THIS DRAWING IS A CONTROLLED DOCUMENT.

DIMENSIONS: INCHES	TOLERANCES UNLESS OTHERWISE SPECIFIED:	DWN JR RUTH 02OCT09	Tyco Electronics Corporation Harrisburg, PA 17105-3608
	0 PLC ± -	CHK TOM MICHELUTTI 02OCT09	
	1 PLC ± -	APVD MIKE PERCHERKE 02OCT09	
	2 PLC ± -	NAME	
	3 PLC ± .008	PRODUCT SPEC	TERMINAL, NYLON - PIDG - RING TONGUE
	4 PLC ± -	APPLICATION SPEC	WIRE SIZE: 26-22
	ANGLES ± 5°		SIZE CAGE CODE DRAWING NO RESTRICTED TO
MATERIAL SEE TABLE	FINISH SEE TABLE	WEIGHT -	A2 00779 C=323916
		CUSTOMER DRAWING	SCALE 10:1 SHEET 1 OF 1 REV N1