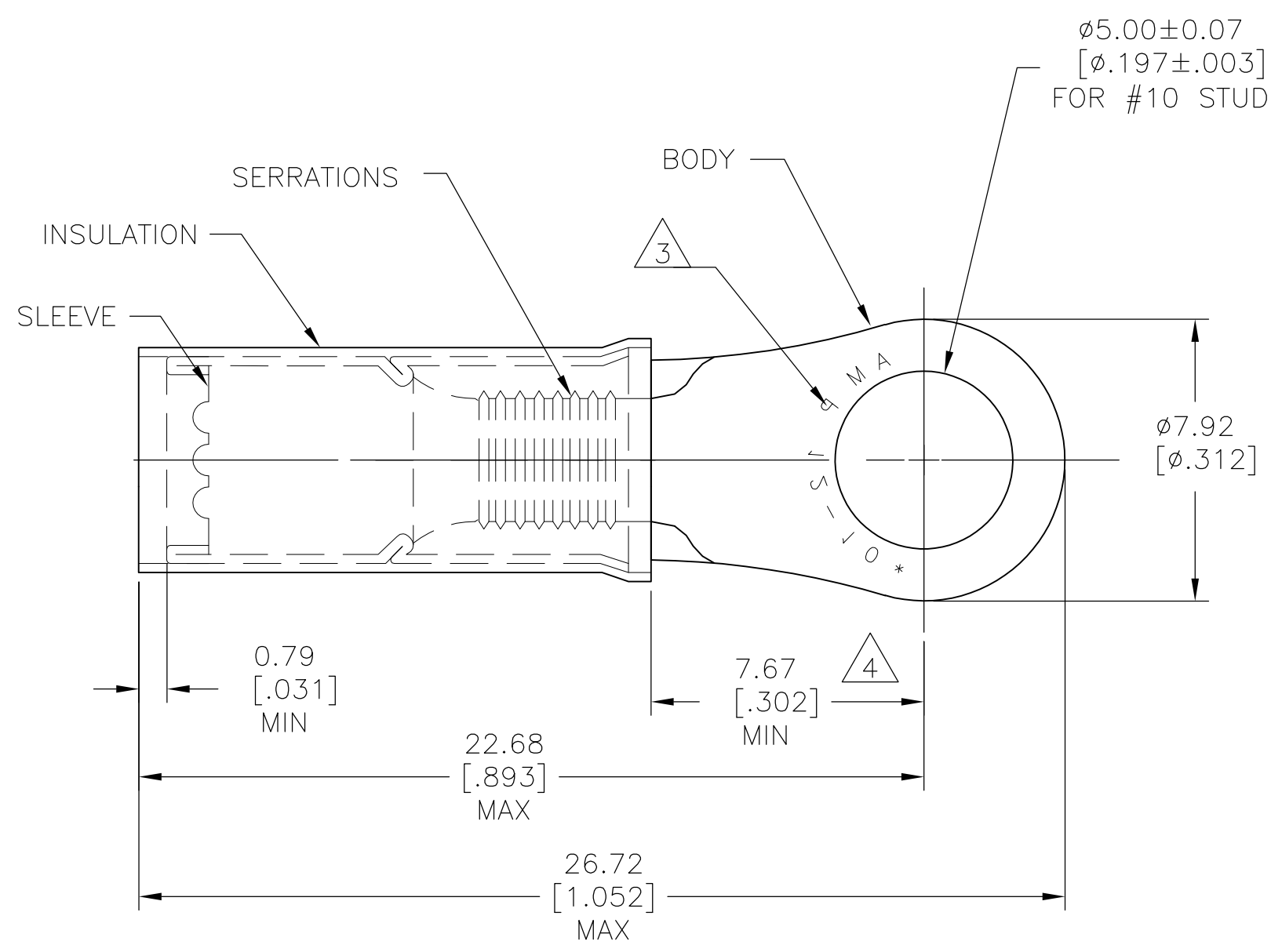


THIS DRAWING IS UNPUBLISHED. RELEASED FOR PUBLICATION
 © COPYRIGHT - By - ALL RIGHTS RESERVED.

LOC	DIST	REVISIONS					
		P	LTR	DESCRIPTION	DATE	DWN	APVD
-	-		G2	NEW DRAWING PER ECO-11-019045	03APR12	KH	DR

AMP WIRE RANGE	 Listed FILE E13288	 LR7189 Certified
12-10 AWG SOLID OR STRANDED	12-10 AWG SOLID OR STRANDED	12-10AWG SOLID OR STRANDED



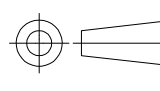


- 1 TONGUE MATERIAL THK: 1.02 ± 0.05 [$.040 \pm .002$]
- 2 FOR WIRE INSULATION DIA: 3.81 [$.150$] TO 5.84 [$.230$]
- 3 STAMP AMP 12-10* APPROX AS SHOWN.
- 4 DIMENSION APPLIES FROM EDGE OF METAL WIRE BARREL TO CENTER OF STUD HOLE.
- 5 MATERIAL: BODY & SLEEVE: COPPER PER ASTM B152. INSULATION : NYLON
- 6 FINISH: BODY & SLEEVE: TIN PLATE PER ASTM B545. INSULATION: COLOR-YELLOW.


50	LOOSE PC, BOX	8-324918-2
2500	ON TAPE REEL	1-324918-0
500	LOOSE PIECE	324918
QTY	PACKAGE TYPE	PART NO

AMP INCORPORATED CUSTOMER SERVICE SYSTEMS

FOR ADDITIONAL PRODUCT INFORMATION OR COPIES OF DRAWINGS AND TECHNICAL DOCUMENTS	PRODUCT INFORMATION CENTER 1-800-522-6752	RECOMMENDED OPERATING TEMPERATURE: 105°C [221°F]
FOR APPLICATION TOOLING INFORMATION	TOOLING ASSISTANCE CENTER 1-800-722-1111	VOLTAGE RATING: 300V MAX
FOR ORDER ENTRY	1-800-526-5142	WIRE CROSS SECTIONAL AREA RANGE: $2.62-6.64\text{mm}^2$ [5,180-13,100] CIR.MIL SOLID OR STRANDED

THIS DRAWING IS A CONTROLLED DOCUMENT.

DIMENSIONS: mm [INCHES]	TOLERANCES UNLESS OTHERWISE SPECIFIED:
	0 PLC ± -
	1 PLC ± -
	2 PLC ± 0.20 [.008]
	3 PLC ± -
	4 PLC ± -
	ANGLES ± -
MATERIAL 	FINISH 

DWN KIRAN HOLAL 03APR12	 TE Connectivity WIRE TERMINAL P.I.D.G RING TONGUE WIRE SIZE 12-10	APVD ROHDE DANIEL 03APR12	NAME	
CHK ROHDE DANIEL		PRODUCT SPEC	RESTRICTED TO	
APVD ROHDE DANIEL		APPLICATION SPEC	SIZE	CAGE CODE
PRODUCT SPEC		WEIGHT	DRAWING NO	REV
CUSTOMER DRAWING		SCALE 6:1	SHEET 1 OF 1	