



LA5657H

System Power Supply IC for Car AV Systems

Overview

The LA5657H provides 10 V/2.2 A and 5 V/1.4 A external pnp transistor based low-saturation regulators with standby functions, as well as 3.3 V, 5 V, and 8 V constant voltage, open collector, and VCC linked (VCC - 1 V) outputs that can be controlled from serial data (CCB). It also includes three reset detection circuits for the VDD, ACC, and battery systems. The LA5657H is an optimal power supply IC for car audio systems and similar products.

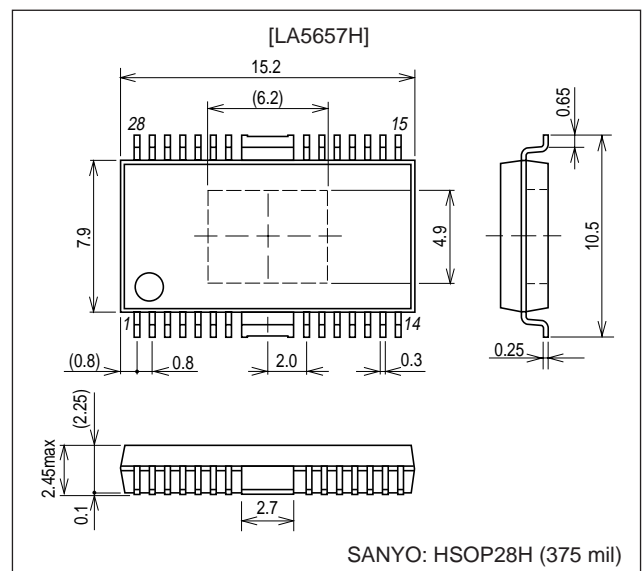
Features

- Built-in 10 V and 5 V regulators (external pnp transistor required) with standby (on/off) functions
- Extensive set of output systems: two 8 V systems, single 5 V, 3.25 V, and 5 to 9.7 V (set with an external resistor) systems, four open-collector output systems, and two V_{CC} linked systems.
- Three reset circuits: A_{CC}, V_{DD} (with delay circuit), and BATT
- Full complement of protection circuits
 - Overcurrent protection circuits for all output systems except the open collector and reset circuits
 - Thermal protection circuits for all outputs except the reset circuits

Package Dimensions

unit: mm

3233A-HSOP28H



Specifications

Absolute Maximum Ratings at Ta = 25°C

Parameter	Symbol	Conditions	Ratings	Unit
Maximum supply voltage	V _{CC} max		24	V
Allowable power dissipation	Pd max	Ta ≤ 25°C, independent IC	0.82	W
		Ta ≤ 25°C, mounted on a 76.1 × 114.3 × 1.6 mm glass epoxy printed circuit board	2.0	W
Operating temperature	Topr		-30 to +85	°C
Storage temperature	Tstg		-55 to +150	°C

■ Any and all SANYO products described or contained herein do not have specifications that can handle applications that require extremely high levels of reliability, such as life-support systems, aircraft's control systems, or other applications whose failure can be reasonably expected to result in serious physical and/or material damage. Consult with your SANYO representative nearest you before using any SANYO products described or contained herein in such applications.

■ SANYO assumes no responsibility for equipment failures that result from using products at values that exceed, even momentarily, rated values (such as maximum ratings, operating condition ranges, or other parameters) listed in products specifications of any and all SANYO products described or contained herein.

SANYO Electric Co., Ltd. Semiconductor Company

TOKYO OFFICE Tokyo Bldg., 1-10, 1 Chome, Ueno, Taito-ku, TOKYO, 110-8534 JAPAN

LA5657H

Recommended Operating Ranges at Ta = 25°C

Parameter	Symbol	Conditions	Ratings	Unit
Supply voltage	V _{CC}	COM10V output, normal operation	10.3 to 18	V
		COM5V output, normal operation	5.3 to 18	V
STBY pin input voltage	VST OFF	Output off control voltage	0 to 1	V
	VST ON	Output on control voltage	2.5 to 5	V
COM10V output current	I _{O1}		Within the ASO for the external transistor	mA
COM5V output current	I _{O2}		Within the ASO for the external transistor	mA
LCDV output current	I _{O3}		0 to 30	mA
TAPE8V output current	I _{O4}		0 to 30	mA
RD8V output current	I _{O5}		0 to 200	mA
DSP5V output current	I _{O6}		0 to 100	mA
DSP3.25V output current	I _{O7}		0 to 100	mA
AMP+B output current	I _{O8}		0 to 100	mA
ANT+B output current	I _{O9}		0 to 250	mA
CAP MR output current	I _{O10}		0 to 10	mA
P1 output sink current	I _{O11}		0 to 10	mA
P2 output sink current	I _{O12}		0 to 10	mA
P3 output sink current	I _{O13}		0 to 10	mA
ACCRO output sink current	I _{O-ACCRO}		0 to 1	mA
V _{DD} RST output sink current	I _{O-V_{DD}R}		0 to 1	mA
BATRO output sink current	I _{O-BATR}		0 to 5	mA

Electrical Characteristics at Ta = 25°C, V_{CC} = 13.2 V, in the specified test circuit

Parameter	Symbol	Conditions	Ratings			Unit
			min	typ	max	
Current drain 1	I _{CC1}	VSTBY = 0 V, BATRO = High, RESET = High, ACCRO = Low		150	170	μA
Current drain 2	I _{CC2}	VSTBY = 5 V, Serial data control outputs: all off BATRO, RESET, and ACCRO outputs: all high		19	25	mA
[V _{DD} Reset Block *1]						
Reset threshold voltage	VTVDDR		4.05	4.25	4.45	V
Hysteresis	VHVDDR		50	80	130	mV
Low-level output voltage	VOLVDDR	ISINK = 50 μA		0.25	0.4	V
High-level output voltage	VOHVDDR	Resistance between RESET and ground: 1 MΩ	0.8 V _{DD}		V _{DD}	V
CDLY outflow current	ICDLY	CDLY outflow current	-4.0	-3.4	-2.8	μA
CDLY threshold voltage	VTHCDLY		1.18	1.25	1.32	V
[BAT Reset Block *2]						
Reset threshold voltage	VTBATR		1.21	1.25	1.29	V
Hysteresis	VHBATR		163	233	326	mV
Leakage current	ILKBATR		-2			μA
Low-level output voltage	VOLBATR	ISINK = 50 μA		0.25	0.4	V
High-level output voltage	VOHBATR	Resistance between BATRO and ground: 1 MΩ	0.8 V _{DD}		V _{DD}	V
[ACC Reset Block *2]						
Reset threshold voltage	VTACCR		1.21	1.25	1.29	V
Hysteresis	VHACCR		10	20	30	mV
Leakage current	ILKACCR		-2			μA
Low-level output voltage	VOLACCR	ISINK = 1 mA		0.35	0.5	V
High-level output voltage	VOHACCR	Resistance between ACCRO and ground: 1 MΩ	0.8 V _{DD}		V _{DD}	V

Continued on next page.

LA5657H

Continued from preceding page.

Parameter	Symbol	Conditions	Ratings			Unit
			min	typ	max	
[COM10V Output ($V_{CC} = 13.2\text{ V}$, $V_{STBY} = 5\text{ V}$, $I_{O2} = 2.2\text{ A}$)]						
Output voltage	V_{O1}	External transistor: 2SB921	9.55	10	10.45	V
Dropout voltage	VDROP1	$V_{CC} = 9.55\text{ V}$		0.3	0.6	V
Line regulation	ΔVOLN1	$11.15\text{ V} \leq V_{CC} \leq 18\text{ V}$		30	300	mV
Load regulation	ΔVOLD1	$0 \leq I_{O1} \leq 2.2\text{ A}$		200	800	mV
Control input current	ICONT1		20	22	26.4	mA
Output off voltage	$V_{O1}\text{ OFF}$				0.2	V
Ripple rejection (reference value)	RREJ1	$f = 120\text{ Hz}$, $11.15\text{ V} \leq V_{CC} \leq 18\text{ V}$		70		dB
[COM5V Output ($V_{CC} = 13.2\text{ V}$, $V_{STBY} = 5\text{ V}$, $I_{O2} = 1.4\text{ A}$)]						
Output voltage	V_{O2}	External transistor: 2SB921	4.775	5	5.225	V
Dropout voltage	VDROP2	$V_{CC} = 4.775\text{ V}$		0.3	0.6	V
Line regulation	ΔVOLN2	$5.925\text{ V} \leq V_{CC} \leq 18\text{ V}$		30	300	mV
Load regulation	ΔVOLD2	$0 \leq I_{O2} \leq 1.4\text{ A}$		200	800	mV
Control input current	ICONT2		15	16.7	20.2	mA
Output off voltage	$V_{O2}\text{ OFF}$				0.2	V
Ripple rejection (reference value)	RREJ2	$f = 120\text{ Hz}$, $5.925\text{ V} \leq V_{CC} \leq 18\text{ V}$		70		dB
[LCDV Output ($V_{CC} = 13.2\text{ V}$, $V_{STBY} = 5\text{ V}$, $I_{O2} = 30\text{ mA}$, CN pin: open)]						
Output voltage	V_{O3}		4.85	5	5.15	V
Dropout voltage	VDROP3	$V_{CC} = 4.85\text{ V}$		0.3	0.6	V
Line regulation	ΔVOLN3	$5.85\text{ V} \leq V_{CC} \leq 18\text{ V}$		50	75	mV
Load regulation	ΔVOLD3	$0 \leq I_{O2} \leq 30\text{ mA}$		100	150	mV
Peak output current	IOP3		30			mA
Output short current (reference value)	IOSC3			60		mA
Output off voltage	$V_{O3}\text{ OFF}$				0.2	V
[TAPE8V Output ($V_{CC} = 13.2\text{ V}$, $V_{STBY} = 5\text{ V}$, $I_{O4} = 30\text{ mA}$)]						
Output voltage	V_{O4}		7.64	8	8.36	V
Dropout voltage	VDROP4	$V_{O1} = 7.6\text{ V}$		1.0	1.4	V
Line regulation	ΔVOLN4	$9.9\text{ V} \leq V_{CC} \leq 18\text{ V}$		50	75	mV
Load regulation	ΔVOLD4	$0 \leq I_{O4} \leq 30\text{ mA}$		100	150	mV
Peak output current	IOP4		30			mA
Output short current (reference value)	IOSC4			220		mA
Output off voltage	$V_{O4}\text{ OFF}$				0.2	V
[RD8V Output ($V_{CC} = 13.2\text{ V}$, $V_{STBY} = 5\text{ V}$, $I_{O5} = 200\text{ mA}$)]						
Output voltage	V_{O5}		7.64	8	8.36	V
Dropout voltage	VDROP5	$V_{O1} = 7.6\text{ V}$		1.0	1.4	V
Line regulation	ΔVOLN5	$9.96\text{ V} \leq V_{CC} \leq 18\text{ V}$		50	75	mV
Load regulation	ΔVOLD5	$0 \leq I_{O5} \leq 200\text{ mA}$		100	150	mV
Peak output current	IOP5		200			mA
Output short current (reference value)	IOSC5			900		mA
Output off voltage	$V_{O5}\text{ OFF}$				0.2	V
[DSP5V Output ($V_{CC} = 13.2\text{ V}$, $V_{STBY} = 5\text{ V}$, $I_{O6} = 100\text{ mA}$)]						
Output voltage	V_{O6}		4.775	5	5.225	V
Dropout voltage	VDROP6	$V_{O1} = 4.775\text{ V}$		1.0	1.4	V
Line regulation	ΔVOLN6	$6.825\text{ V} \leq V_{CC} \leq 18\text{ V}$		50	75	mV
Load regulation	ΔVOLD6	$0 \leq I_{O6} \leq 100\text{ mA}$		100	150	mV
Peak output current	IOP6		100			mA
Output short current (reference value)	IOSC6			520		mA
Output off voltage	$V_{O6}\text{ OFF}$				0.2	V

Continued on next page.

LA5657H

Continued from preceding page.

Parameter	Symbol	Conditions	Ratings			Unit
			min	typ	max	
[DSP3.25V Output ($V_{CC} = 13.2\text{ V}$, $V_{STBY} = 5\text{ V}$, $I_{O7} = 100\text{ mA}$)]						
Output voltage	V_{O7}		3.104	3.25	3.396	V
Dropout voltage	VDROP7	$V_{O2} = 3.104\text{ V}$		1.0	1.4	V
Line regulation	ΔVOLN7	$4.996\text{ V} \leq V_{CC} \leq 18\text{ V}$		50	75	mV
Load regulation	ΔVOLD7	$0 \leq I_{O7} \leq 100\text{ mA}$		100	150	mV
Peak output current	IOP7		100			mA
Output short current (reference value)	IOSC7			420		mA
Output off voltage	$V_{O7}\text{ OFF}$				0.2	V
[AMP + B Output ($V_{CC} = 13.2\text{ V}$, $V_{STBY} = 5\text{ V}$, $I_{O8} = 100\text{ mA}$)]						
Output voltage	V_{O8}		11.7	12.2		V
Dropout voltage	VDROP8			1	1.5	V
Peak output current	IOP8		100			mA
Output short current (reference value)	IOSC8			300		mA
Output off voltage	$V_{O8}\text{ OFF}$				0.2	V
[ANT + B Output ($V_{CC} = 13.2\text{ V}$, $V_{STBY} = 5\text{ V}$, $I_{O9} = 250\text{ mA}$)]						
Output voltage	V_{O9}		11.7	12.2		V
Dropout voltage	VDROP9			1	1.5	V
Peak output current	IOP9		250			mA
Output short current (reference value)	IOSC9			700		mA
Output off voltage	$V_{O9}\text{ OFF}$				0.2	V
[CAP MR Output ($V_{CC} = 13.2\text{ V}$, $V_{STBY} = 5\text{ V}$, $I_{O10} = 10\text{ mA}$)]						
Dropout voltage	VDROP10			0.4	0.8	V
Output sink current	I_{O10}		10			mA
[P1 (ILL) Output ($V_{CC} = 13.2\text{ V}$, $V_{STBY} = 5\text{ V}$, $I_{O11} = 10\text{ mA}$)]						
Dropout voltage	VDROP11			0.4	0.8	V
Output sink current	I_{O11}		10			mA
[P2 (LCD) Output ($V_{CC} = 13.2\text{ V}$, $V_{STBY} = 5\text{ V}$, $I_{O12} = 10\text{ mA}$)]						
Dropout voltage	VDROP12			0.4	0.8	V
Output sink current	I_{O12}		10			mA
[P3 (CAP MR) Output ($V_{CC} = 13.2\text{ V}$, $V_{STBY} = 5\text{ V}$, $I_{O13} = 10\text{ mA}$)]						
Dropout voltage	VDROP13			0.4	0.8	V
Output sink current	I_{O13}		10			mA
[Thermal Protection Circuit]						
Operating temperature *3	TSD	V_{O1} and V_{O2} operation V_{O3} to V_{O13} linked to V_{O1} and V_{O2} operation.	150	175		°C

Notes on items *1 to *3.

(1) V_{DD} reset block (*1)

- The reset detection function detects the level of V_{DD5V} input to $V_{DD}\text{ IN}$.
- This reset function operates correctly when the $V_{DD}\text{ IN}$ voltage is over 0.5 V, but is undefined when $V_{DD}\text{ IN}$ is under 0.5 V. The reset voltage must never exceed $V_{DD}\text{ IN}$.
- The allowable range for the threshold voltage has a tolerance of $\pm 4.7\%$.

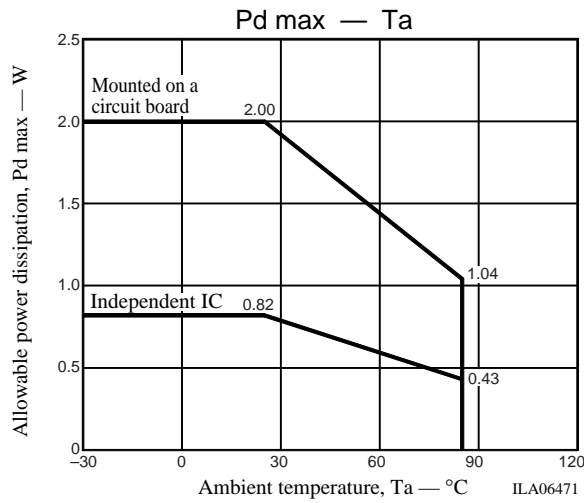
(2) BAT and ACC reset blocks (*2)

- These reset detection outputs must operate correctly when the $V_{DD}\text{ IN}$ voltage is over 2 V. The reset voltages must never exceed $V_{DD}\text{ IN}$.
- The ACC detection function has no region where detection is unpredictable according to the value of the voltage detected. That is, the low level will be detected correctly when ACC IN is 0 V.
- The allowable range for the threshold voltage has a tolerance of $\pm 3.2\%$.

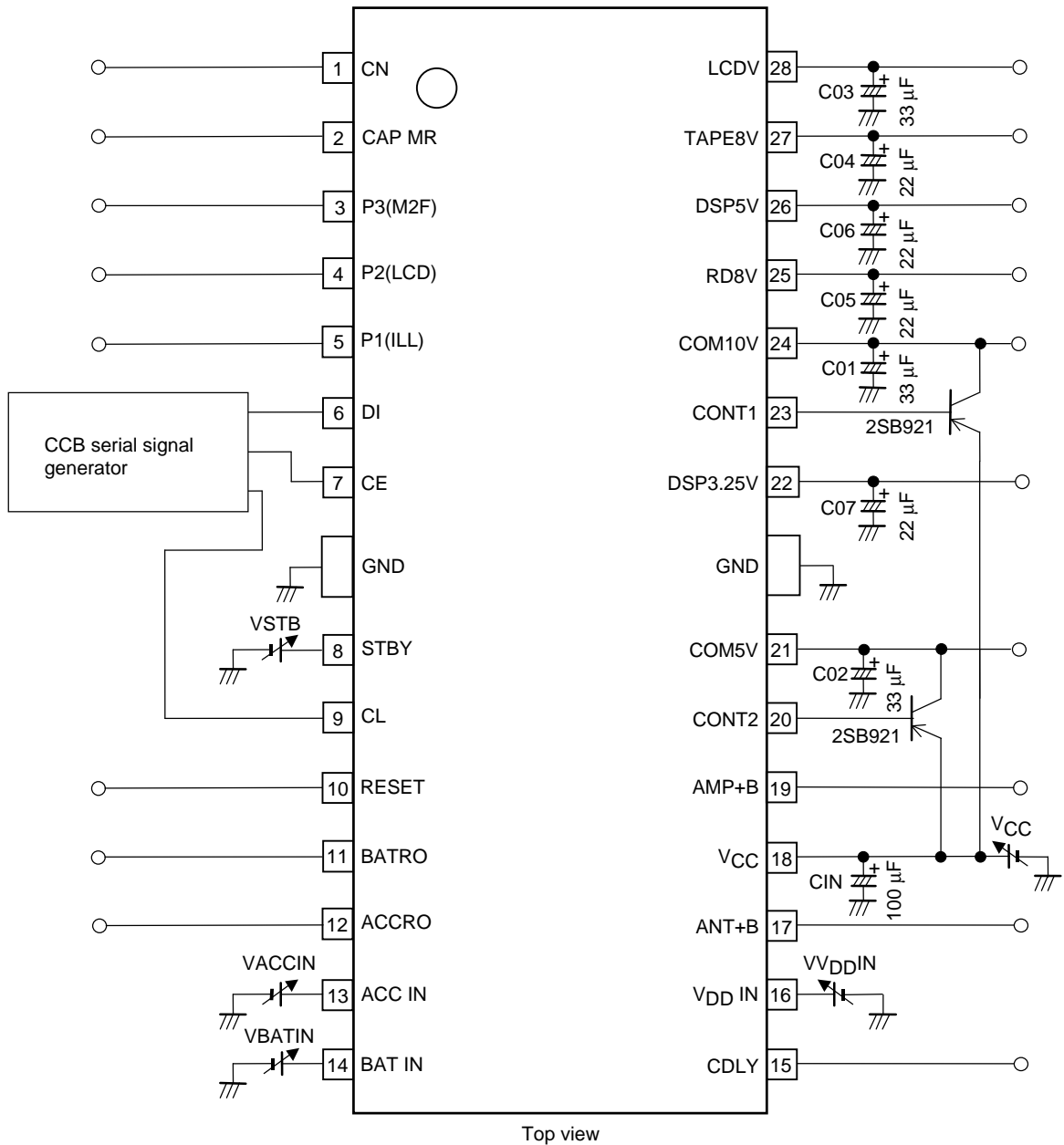
(3) Thermal protection and operating temperature (*3)

- The values shown are design target values and are not tested.

LA5657H

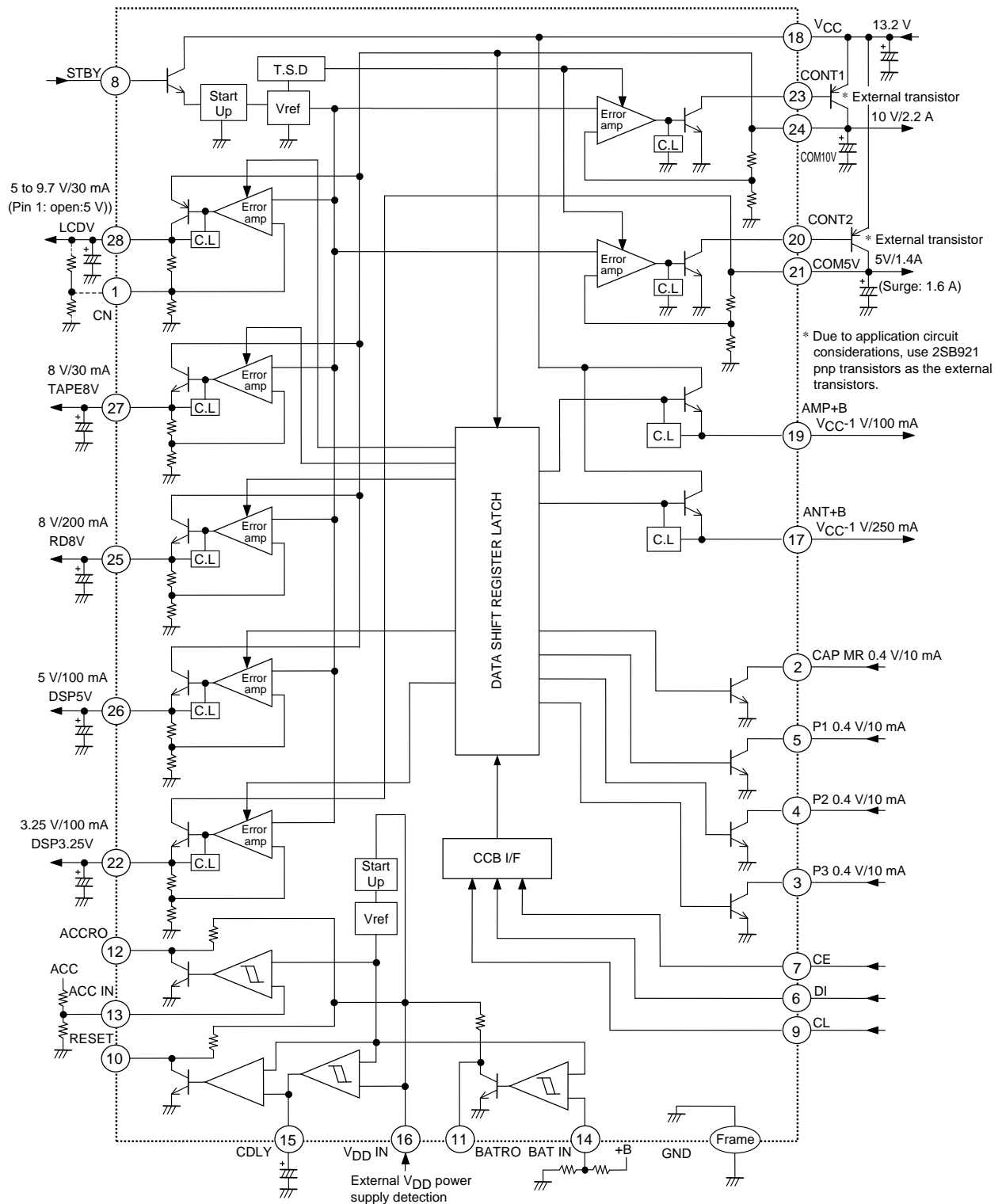


Pin Assignment and Test Circuit



LA5657H

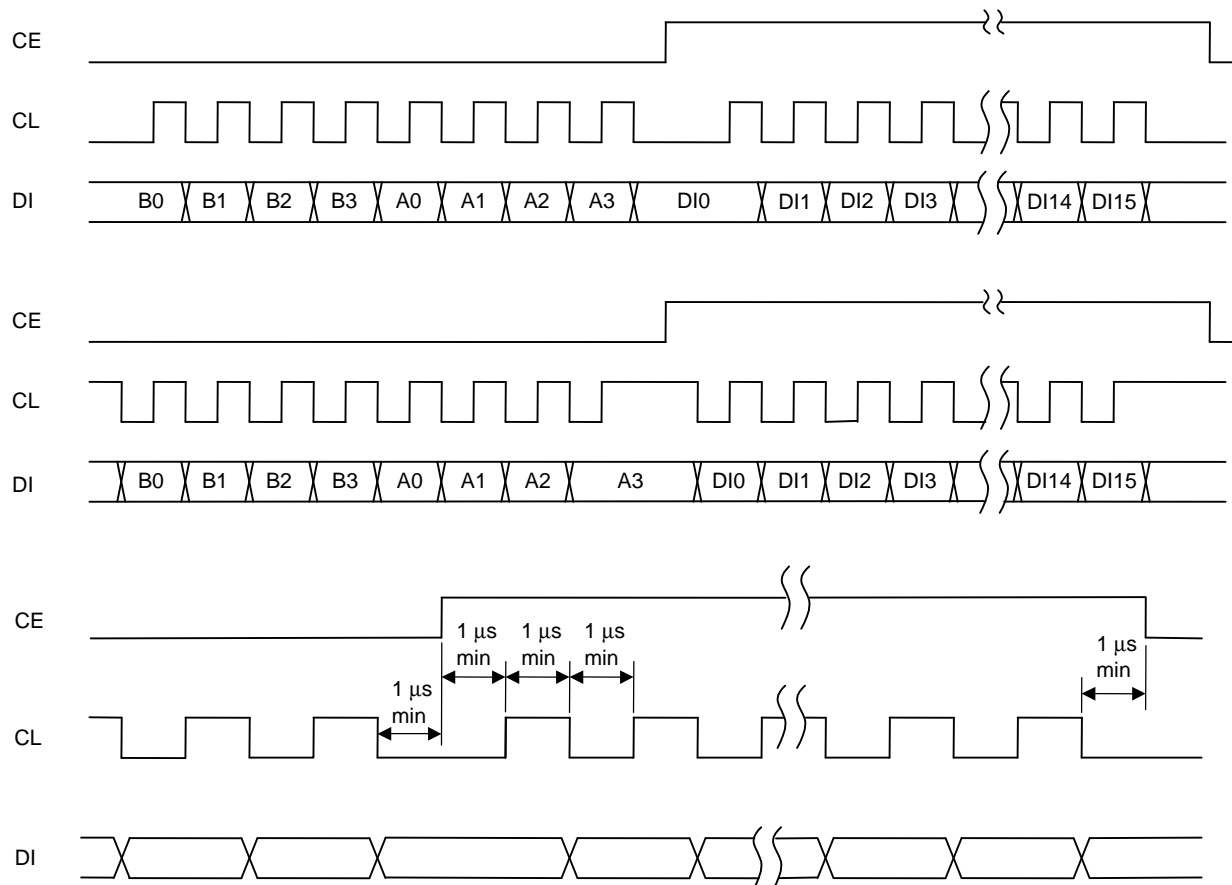
Equivalent Circuit Block Diagram



LA5657H

Control System Timing and Data Format

The LA5657H is controlled by inputting the stipulated serial data to the CL, DI, and CE pins. This data consists of a total of 24 bits of which 8 bits are address and 16 bits are data.



- Address code (B0 to A3)

The LA5657H has an 8-bit address code that allows it to be used with the same specifications as other Sanyo serial bus CCB ICs.

Address Code

LSB				MSB				HEX
B0	B1	B2	B3	A0	A1	A2	A3	
1	0	1	0	1	0	1	1	D5

LA5657H

• On/Off Control Code Assignment

D0	D1	D2	D3	D4	D5	D6	D7	D8	D9	D10	D11	D12	D13	D14	D15	Operation
1	0	0	0	0	0	0	0	0	0	0	0	0	0	0	0	LCDV ON
0	1	0	0	0	0	0	0	0	0	0	0	0	0	0	0	TAPE8V ON
0	0	1	0	0	0	0	0	0	0	0	0	0	0	0	0	RD8V ON
0	0	0	1	0	0	0	0	0	0	0	0	0	0	0	0	DSP5V ON
0	0	0	0	1	0	0	0	0	0	0	0	0	0	0	0	DSP3.25V ON
0	0	0	0	0	1	0	0	0	0	0	0	0	0	0	0	AMP+B ON
0	0	0	0	0	0	1	0	0	0	0	0	0	0	0	0	ANT+B ON
0	0	0	0	0	0	0	1	0	0	0	0	0	0	0	0	CAP MR ON
0	0	0	0	0	0	0	0	1	0	0	0	0	0	0	0	P1 ON
0	0	0	0	0	0	0	0	0	1	0	0	0	0	0	0	P2 ON
0	0	0	0	0	0	0	0	0	0	1	0	0	0	0	0	P3 ON

- Specifications of any and all SANYO products described or contained herein stipulate the performance, characteristics, and functions of the described products in the independent state, and are not guarantees of the performance, characteristics, and functions of the described products as mounted in the customer's products or equipment. To verify symptoms and states that cannot be evaluated in an independent device, the customer should always evaluate and test devices mounted in the customer's products or equipment.
- SANYO Electric Co., Ltd. strives to supply high-quality high-reliability products. However, any and all semiconductor products fail with some probability. It is possible that these probabilistic failures could give rise to accidents or events that could endanger human lives, that could give rise to smoke or fire, or that could cause damage to other property. When designing equipment, adopt safety measures so that these kinds of accidents or events cannot occur. Such measures include but are not limited to protective circuits and error prevention circuits for safe design, redundant design, and structural design.
- In the event that any or all SANYO products (including technical data, services) described or contained herein are controlled under any of applicable local export control laws and regulations, such products must not be exported without obtaining the export license from the authorities concerned in accordance with the above law.
- No part of this publication may be reproduced or transmitted in any form or by any means, electronic or mechanical, including photocopying and recording, or any information storage or retrieval system, or otherwise, without the prior written permission of SANYO Electric Co., Ltd.
- Any and all information described or contained herein are subject to change without notice due to product/technology improvement, etc. When designing equipment, refer to the "Delivery Specification" for the SANYO product that you intend to use.
- Information (including circuit diagrams and circuit parameters) herein is for example only; it is not guaranteed for volume production. SANYO believes information herein is accurate and reliable, but no guarantees are made or implied regarding its use or any infringements of intellectual property rights or other rights of third parties.

This catalog provides information as of May, 2004. Specifications and information herein are subject to change without notice.