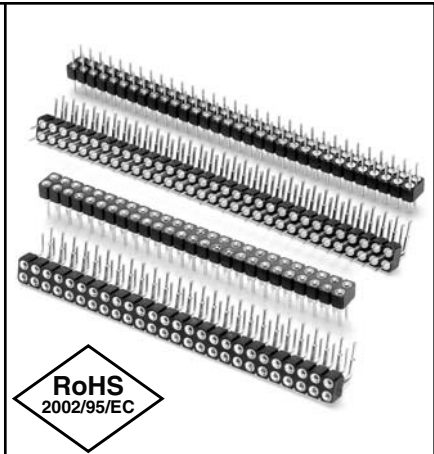


Fig. 1

- Series 4XX are available with straight and right angle solder tails.
- Series 450 & 499...009 use MM #3404 and #5011/5113 pins. See pages 179 & 181 for details.
- Series 410 & 499...003 use MM #1001 and #1103/1602 receptacles. See pages 136, 137 & 138 for details.
- Receptacles use Hi-Rel, 4 finger #30 BeCu contact rated at 3 amps. See page 218 for details.
- Insulators are high temp. thermoplastic.



Ordering Information

Fig. 1	Series 450...006	Straight Pin Header
	450-XX-2__-00-006000	Specify # of pins → 02-64
Fig. 2	Series 499...009	Right Angle Pin Header
	499-10-2__-10-009000	Specify # of pins → 02-64

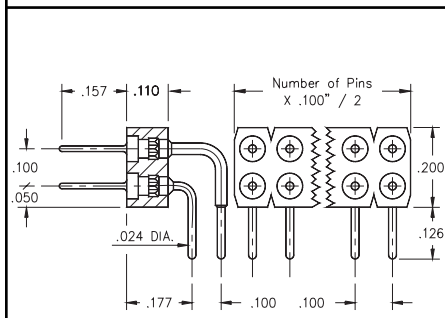


Fig. 2

For Electrical, Mechanical & Environmental Data, See pg. 4
XX=Plating Code See Below
For RoHS compliance select ◇ plating code.

SPECIFY PLATING CODE XX=	10◇	90	40◇	
Pin Plating	10μ" Au	200μ" Sn/Pb	200μ" Sn	

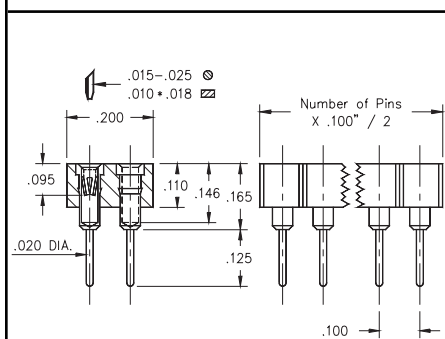


Fig. 3

Fig. 3	Series 410...001	Straight Socket
	410-XX-2__-41-001000	Specify # of pins → 02-64

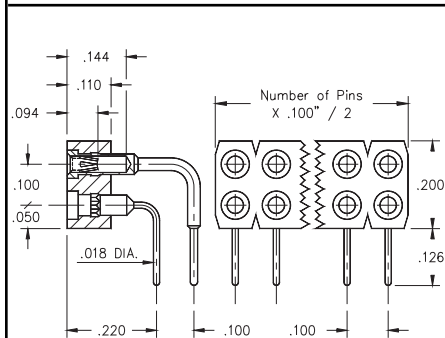


Fig. 4

Fig. 4	Series 499...003	Right Angle Socket
	499-XX-2__-10-003000	Specify # of pins → 02-64

For Electrical, Mechanical & Environmental Data, See pg. 4
XX=Plating Code See Below
For RoHS compliance select ◇ plating code.

SPECIFY PLATING CODE XX=	13◇					43◇
Sleeve (Pin)	10μ" Au					200μ" Sn
Contact (Clip)	30μ" Au					30μ" Au

Mouser Electronics

Authorized Distributor

Click to View Pricing, Inventory, Delivery & Lifecycle Information:

Mill-Max:

[450-90-264-00-006000](#) [450-10-264-00-006000](#) [450-40-264-00-006000](#) [499-13-230-10-003000](#) [499-10-264-10-009000](#) [499-43-264-10-003000](#) [499-13-264-10-003000](#) [410-13-202-41-001000](#) [410-43-202-41-001000](#) [450-10-216-00-006000](#) [450-10-256-00-006000](#) [450-90-216-00-006000](#) [450-90-212-00-006000](#) [499-10-204-10-009000](#) [499-10-220-10-009000](#) [499-13-246-10-003000](#) [499-43-202-10-003000](#) [499-13-232-10-003000](#) [499-10-226-10-009000](#) [499-43-206-10-003000](#) [499-43-216-10-003000](#) [499-13-208-10-003000](#) [499-13-240-10-003000](#) [499-10-206-10-009000](#) [499-13-218-10-003000](#) [499-10-224-10-009000](#)