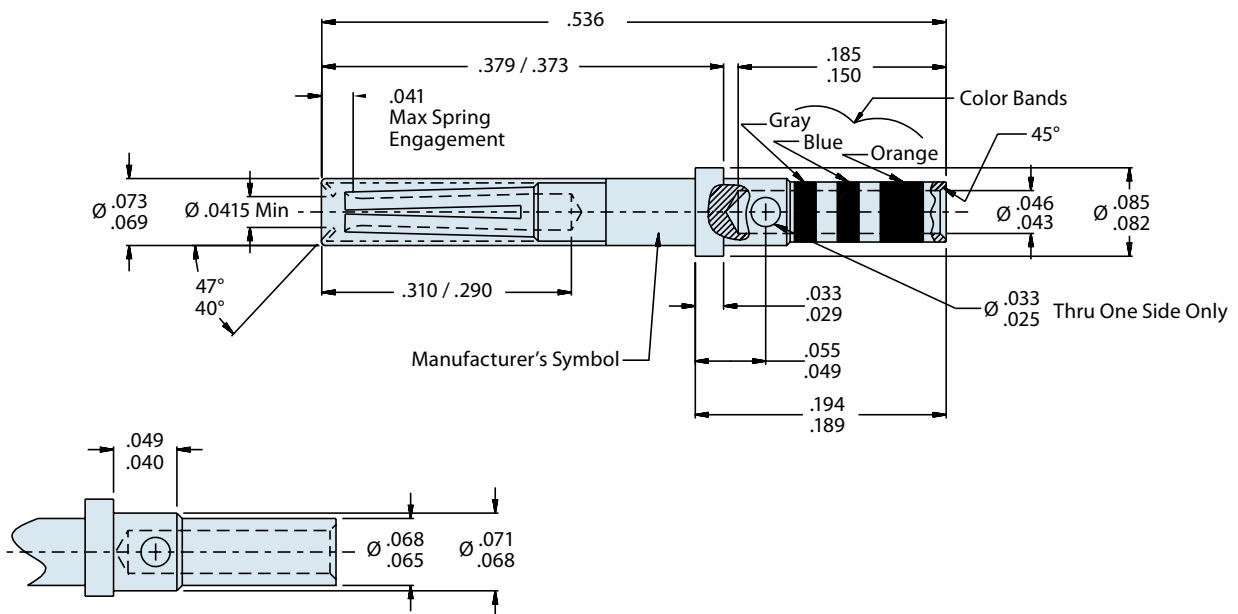


M24308

Standard Socket Crimp Contact for MIL-DTL-24308



Mating End Size	Wire Accomodation	Military Part Number	Glenair Part Number
20	20-24 AWG	M39029/63-368	850-021-20-368



Material and Finish*

Pin Contact: Copper Alloy/Gold Plated

Socket Contact: Copper Alloy/Gold Plated

Socket Contact Hood: Passivated Stainless Steel

*See pages A-4 and A-5 for detailed material specifications

Tools

Crimp Tool: M22520/2-01

Positioner: M22520/2-08

Insertion/Extraction Tools: M81969/14-02 or M81969/1-02

Mouser Electronics

Authorized Distributor

Click to View Pricing, Inventory, Delivery & Lifecycle Information:

[Glenair:](#)

[850-021-20-368](#)