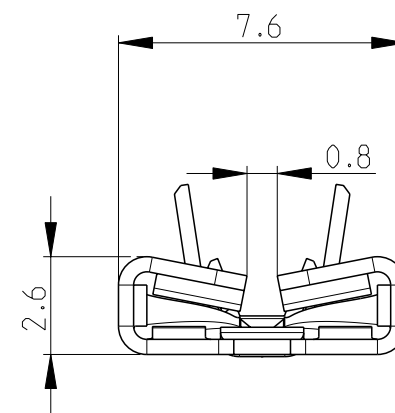
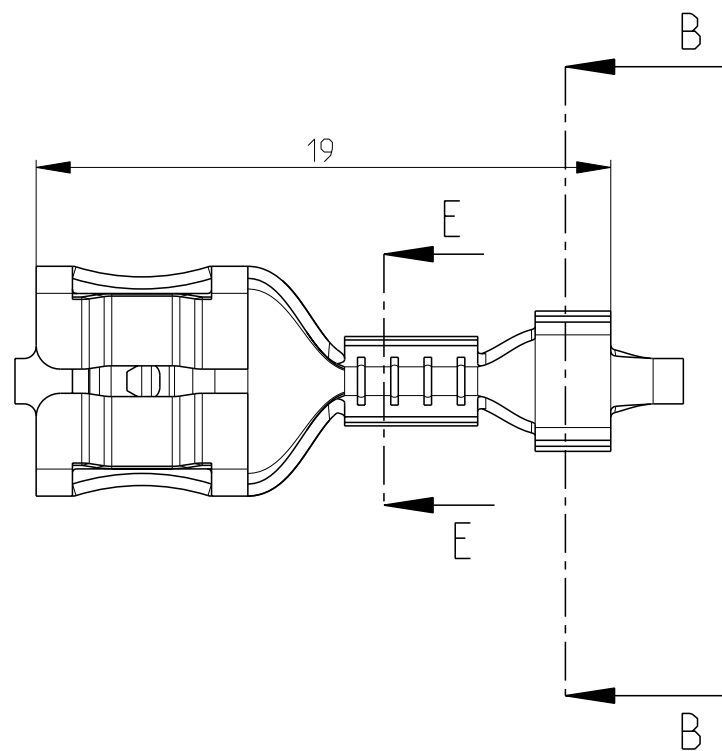


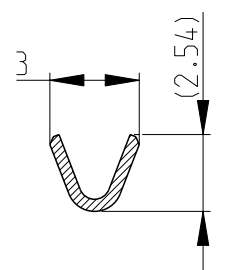
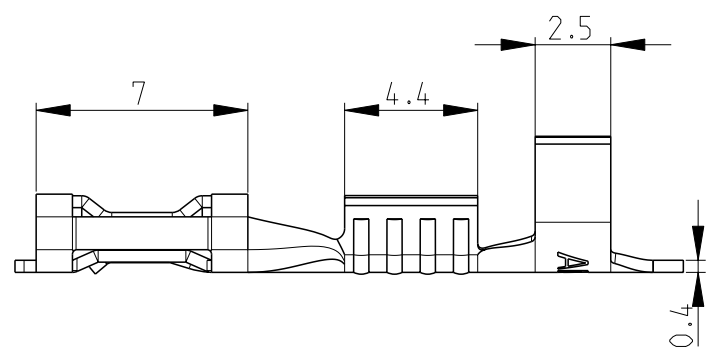
THIS DRAWING IS UNPUBLISHED. RELEASED FOR PUBLICATION 20
 © COPYRIGHT 20 BY TYCO ELECTRONICS CORPORATION ALL RIGHTS RESERVED.

LOC	DIST	REVISIONS					
		P	LTR	DESCRIPTION	DATE	DWN	APVD
-	-		A	REV.A RELEASE BASED ON REV.3	23OCT2014	DL	TD
			A1	RELEASE PER ECR-14-018864	24DEC2014	DL	TD

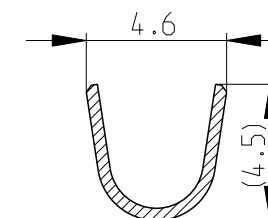


NOTE:

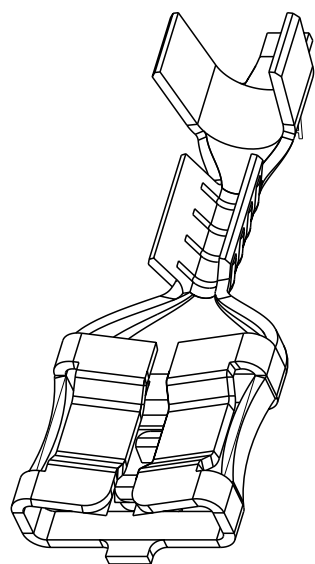
1. CONTINUOUS STRIP ON REELS
2. MATING TAB ACCORDING TO UL310 AND IEC61210 NORM. (WIDTH*THICKNESS IS 6.3*0.8mm)
3. WIRE RANGE IS #24-#20 AWG(0.2-0.52 sqmm)
4. INSULATION RANGE IS \varnothing 1.4-2.1mm
5. CUT-OFF TAB LENGTH 0.5mm MAX.



SECTION E-E



SECTION B-B



Pre-NICKEL	Steel	2178438-1
FINISH	MATERIAL	PART NO.

THIS DRAWING IS A CONTROLLED DOCUMENT.		DWN VIBHUTHI 29NOV2012			NAME 6.3 SRS F-SPRING LIF RECEPTACLE -	
DIMENSIONS: mm		CHK SUBHASH M 29NOV2012				
TOLERANCES UNLESS OTHERWISE SPECIFIED:		APVD SURESH T N 29NOV2012				
0 PLC ± 0.5 1 PLC ± 0.5 2 PLC ± 0.25 3 PLC \pm 4 PLC \pm ANGLES $\pm 1^\circ$		PRODUCT SPEC 108-64027				
MATERIAL SEE TABLE	FINISH SEE TABLE	APPLICATION SPEC 114-64027	SIZE A3	CAGE CODE 00779	DRAWING NO C-2178438	RESTRICTED TO -
CUSTOMER DRAWING			SCALE 4:1	SHEET 1 OF 1	REV A1	