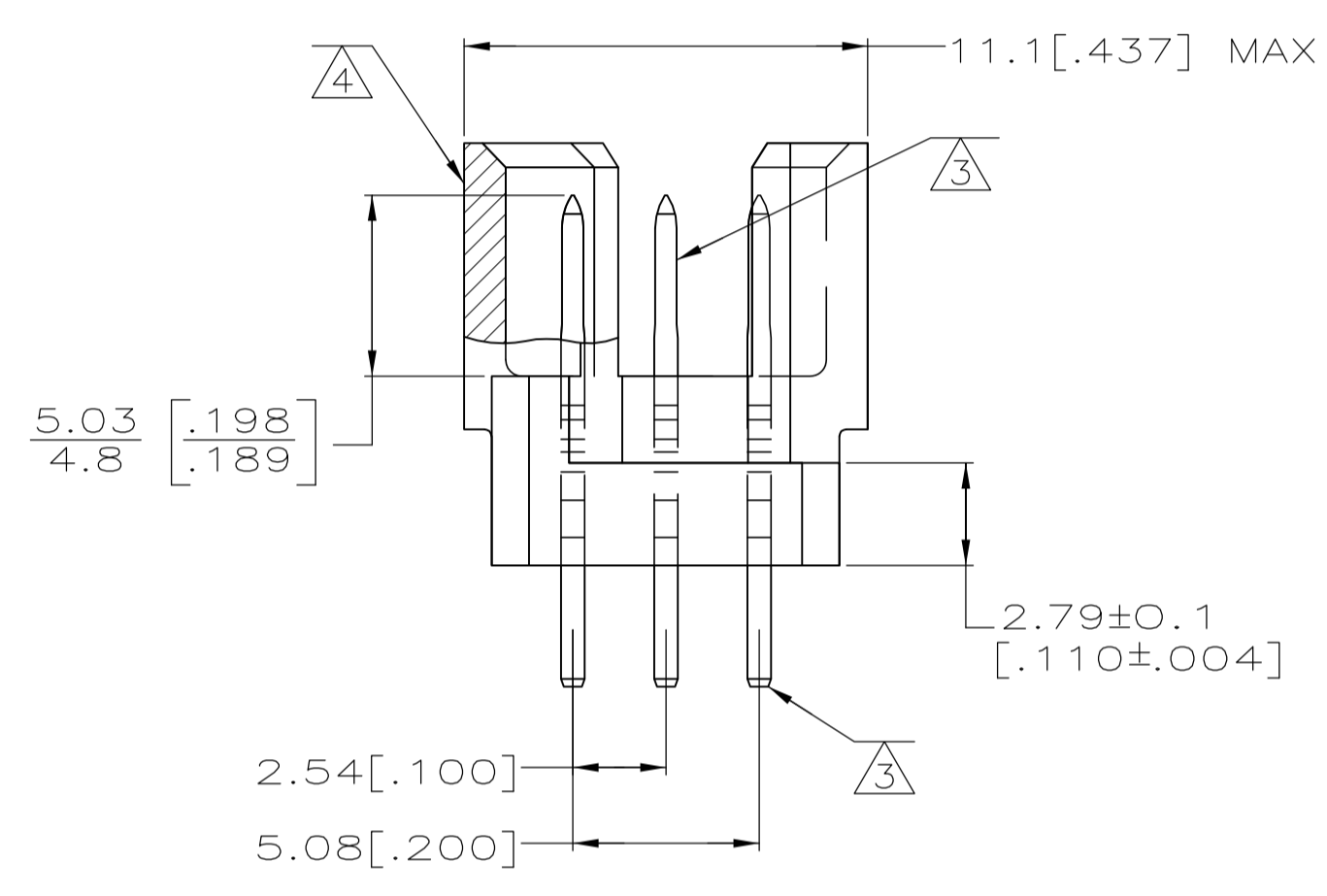


- 1 HOUSING MATERIAL: GLASS-FILLED POLYMER.
- 2 POST MATERIAL: COPPER ALLOY.
- 3 POST FINISH: DIN 41612 CLASS 2 IN CONTACT AREA. TIN PLATE ON POSTS.
- 4 MARKING ON THIS SIDE.
- 5 RECOMMENDED HOLE SIZE FOR MANUAL APPLICATION OF CONNECTOR ONTO PC BOARD.
- 6 PART NUMBER, DATE CODE MARKED THIS APPROXIMATE AREA.



1-32	X	X	X	96	5650908-5
POSITIONS LOADED	C	B	A	NO. OF LOADED POSITION	ASSY PART NUMBER

THIS DRAWING IS A CONTROLLED DOCUMENT.		DIN J. POLIGNONE		Tyco Electronics Corporation	
DIMENSIONS: mm [INCHES]		OSMAYOS		Harrisburg, Pa 17105-3608	
TOLERANCES UNLESS OTHERWISE SPECIFIED:		OSMAYOS		NAME	
0 PLC ± -		OSMAYOS		ASSEMBLY, PIN, EUROCARD, TYPE R,	
1 PLC ± -		OSMAYOS		96 POSITION,	
2 PLC ± 0.13[.005]		OSMAYOS		3.30[.130] SOLDER POST	
3 PLC ± -		OSMAYOS		APPLICATION SPEC	
4 PLC ± -		OSMAYOS		SIZE	
ANGLES ± -		OSMAYOS		CAGE CODE	
MATERIAL		FINISH		DRAWING NO	
A1		A1		00779	
CUSTOMER DRAWING		SCALE		SHEET	
		5:1		1 OF 1	
				REV 01	