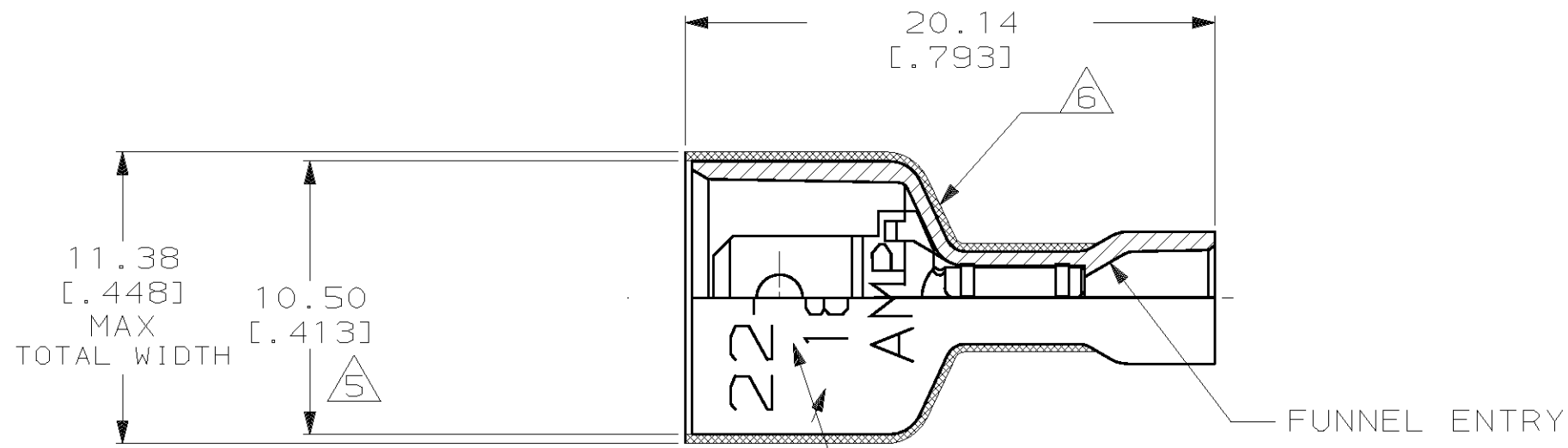
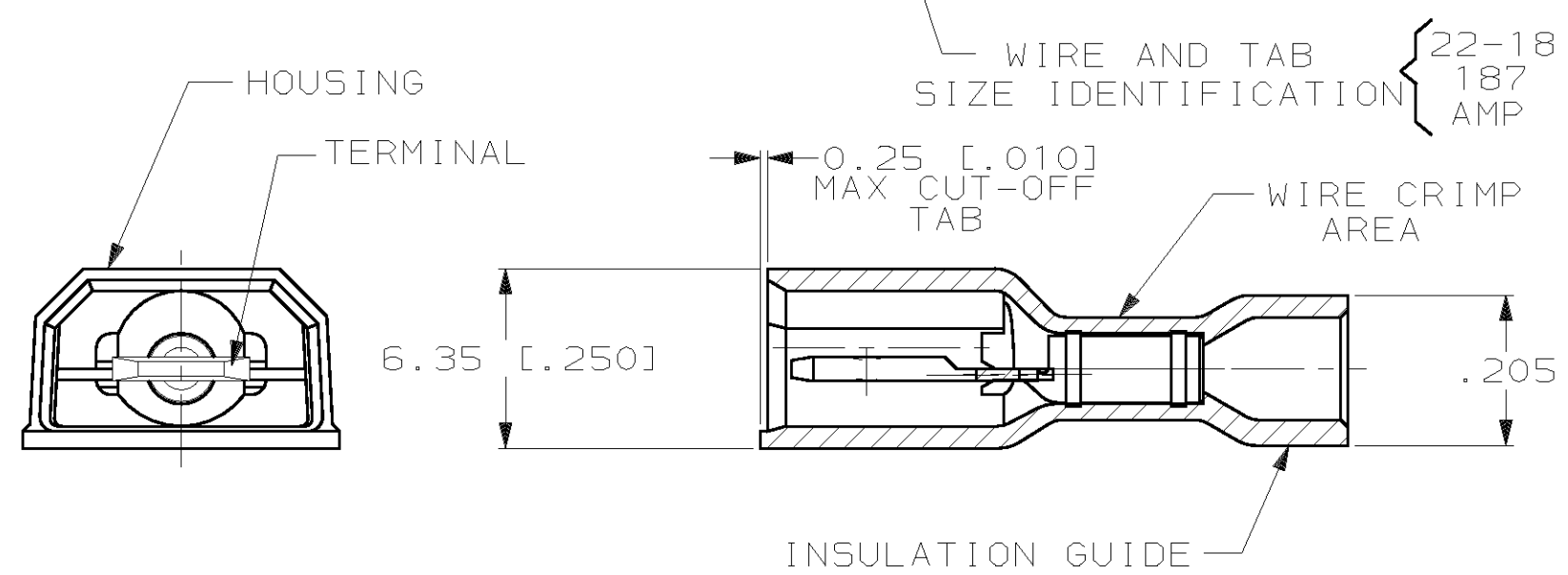


THIS DRAWING IS UNPUBLISHED. RELEASED FOR PUBLICATION, 19  
 © COPYRIGHT 19 BY AMP INCORPORATED. ALL INTERNATIONAL RIGHTS RESERVED.

LOC	DIST	P	F	REVISIONS				
AF	50			ZONE	LTR	DESCRIPTION	DATE	APPD
					A	REL 2-2 PER 0L10-0235-97	5/29/97	JR/JW



- 1 TAB DIMENSIONS .032±.001×.187
- 2 WIRE STRIP LENGTH .281
- 3 INSULATION SIZE .135 MAX DIA
- 4 SUPPLIED IN LOOSE PIECE.
- 5 DIMENSION DOES NOT INCLUDE TRIM BURR
- 6 0.38 [.015] MAX CARRIER TRIM BURR PER SIDE IS ALLOWABLE IN THE SHADED AREA



HOUSING: NYLON, COLOR-RED TRANSLUCENT		2-521105-2	
TAB: #3 HARD BRASS, TIN .000080 MIN		PART NO	
MATERIAL & FINISH		AMP INCORPORATED Harrisburg, Pa. 17105	
DO NOT SCALE PRINT. UNLESS SPECIFIED DIMENSIONS ARE IN mm [INCHES] TOLERANCES ON: 2 PLC DEC ± 0.38 [.015] 3 PLC DEC ± - ANGLES ± -		NAME TAB ASSEMBLY, ULTRA-FAST, 4.75 [.187] SERIES, 22-18 AWG	
MATERIAL SEE TABLE	DR 9/25/95 JR RUTH CHK 9/25/95 MS FEHER APPD 9/25/95 J WORMAN APPD 9/25/95 V KARABACIEVSCHY	SIZE <b>B</b>	FSCM NO 00779
FINISH SEE TABLE	PRODUCT SPEC 108-2017 APPLICATION SPEC 114-2123 WEIGHT -	DRAWING NO 521105	SCALE 4:1
		SHEET 1 OF 1	