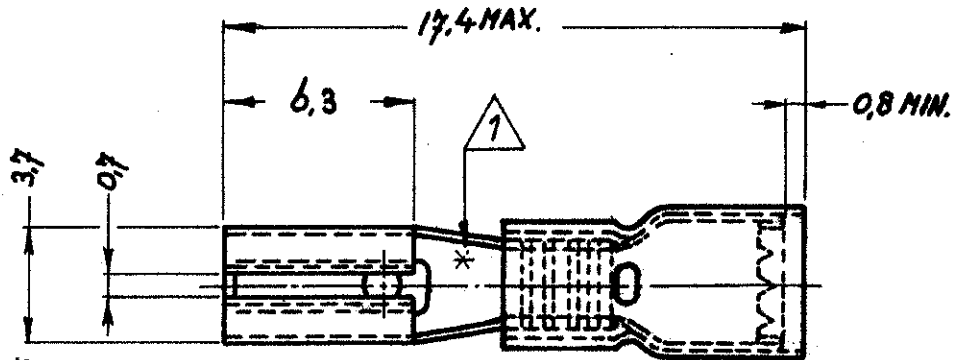
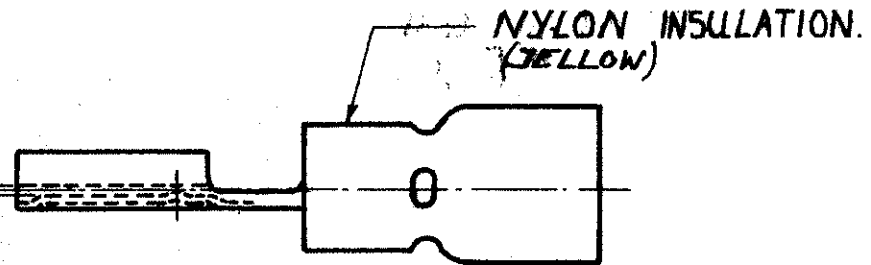


DRAWING MADE IN AMERICAN PROJECTION

NUMBER C-165619



FITS O.B. TAB THICKNESS



- ① ASTERISK \* FOR PH.BRONZE ITEMS ONLY
- ② OBSOLETE w/o REPLACEMENT

2-165619.7	165619.7	TAPE MOUNTED	①
2-165619.6	165619.6	TAPE MOUNTED	①
2-165619.5	165619.5	TAPE MOUNTED	①
2-165619.4	165619.4	TAPE MOUNTED	
2-165619.3	165619.3	TAPE MOUNTED	
2-165619.2	165619.2	TAPE MOUNTED	
165619-7	PH. BRONZE	GOLD	①
165619-6	PH. BRONZE	SILVER	①
165619-5	PH. BRONZE	TIN	①
165619-4	BRASS	GOLD	
165619-3	BRASS	SILVER	
165619-2	BRASS	TIN	

**CUSTOMER COPY FOR REFERENCE ONLY**

©1981 BY AMP-HOLLAND N.V. ALL RIGHTS RESERVED A-MP PRODUCTS COVERED BY PATENTS AND/OR PATENTS PENDING.



AMP - HOLLAND N.V.  
's-Hertogenbosch

WIRE-RANGE 0.14-0.35 mm <sup>2</sup>	INSUL.-RANGE 1.1-2.1 mm. DIA.	FIRST USED
---	----------------------------------	------------

ORDER NO.	MATERIAL	PLATING
-----------	----------	---------

SCALE NOS.	SIZE A	NO C-165619	REV E
---------------	-----------	----------------	----------

DR. G. WILLEMSSEN	DATE NOV 81	DE	DATE
CHK. L. P. J. J. J.	DATE 20/11/84	APP. B	DATE 18.10.84

NAME  
**110 SERIES PIDG FASTON RECEPTACLE**

DIMENSIONS IN M.M. DO NOT SCALE PRINT