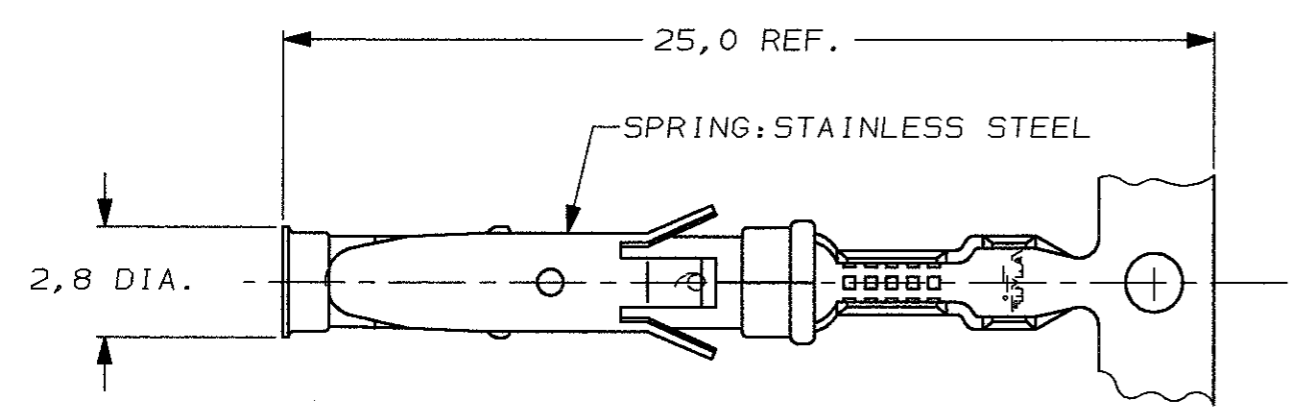
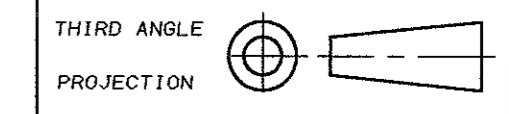
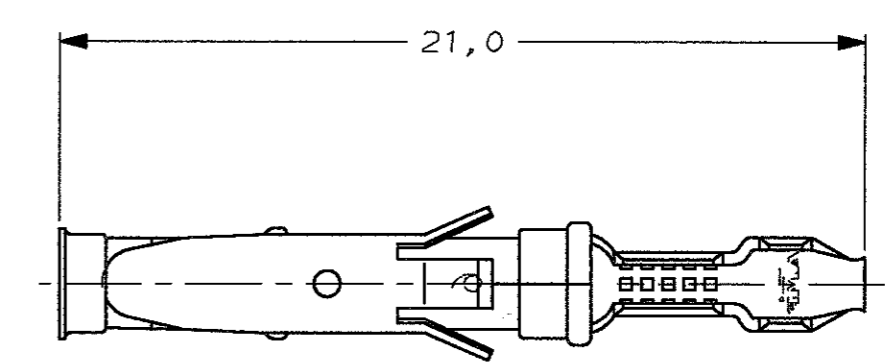


DO NOT SCALE
DIMENSIONS IN mm

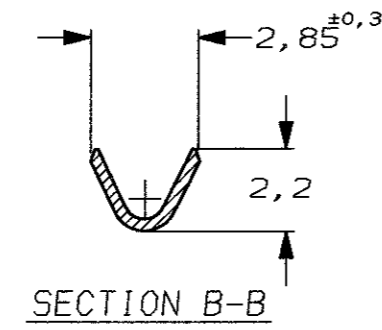
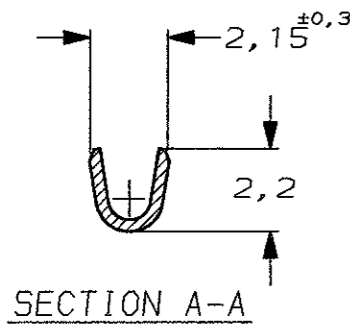
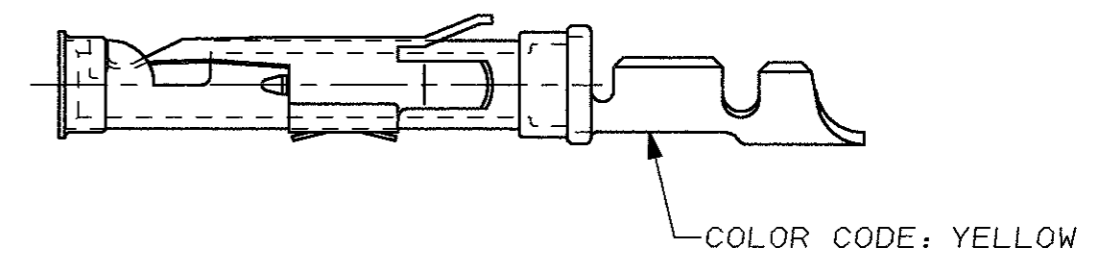
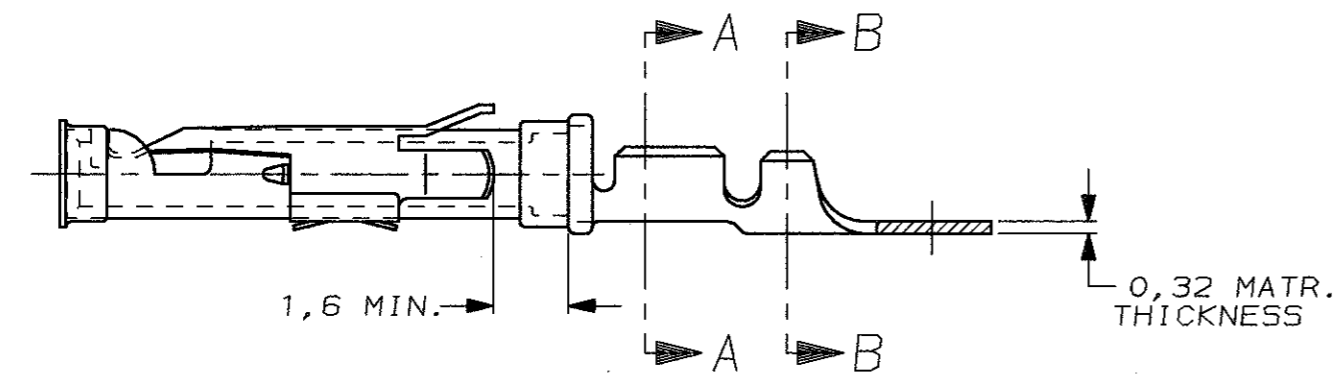
METRIC



STRIP



LOOSE-PIECE



WIRE RANGE : 0,20-0,50 mm² (24-20 AWG)
INSUL. RANGE : 1,1 -1,8 mm (.045-.070)

- NOTES :
- 1 U.L. RECOGNIZED UNDER FILE E28476 VOL. VI SEC. I
 - 2 FOR CRIMP DETAILS SEE AMP-SPEC. 114-19.000
 - 3 MEETS PRODUCT SPECIFICATION 108-10042.
 - 4 SPECIAL REEL WITH 200 PCS FOR REEL-FED HAND-TOOL

NOTES	MATERIAL	THICKNESS	AREA
20	TIN	2,0 μm	ALL OVER
21	NICKEL GOLD TIN/LEAD	0,8 μm	ALL OVER CONTACT AREA BARREL
22	NICKEL GOLD GOLD	0,8 μm	ALL OVER CONTACT AREA ALL OVER
23	NICKEL GOLD GOLD	1,2 μm	ALL OVER CONTACT AREA ALL OVER
24	NICKEL SILVER TIN/LEAD	2,5 μm	ALL OVER CONTACT AREA BARREL
25	SILVER NICKEL	1,5-2,5 μm 0,76 μm	ALL OVER ALL OVER
26	SILVER	2,5 μm	ALL OVER
27	NICKEL	1,27 μm	ALL OVER
28	BRIGHT TIN/LEAD	1,27 μm	ALL OVER
29	LUBRICATED		

DIRECTION OFF TOP OF REEL	
AMPOMATOR + MINI-APPL. 107-3-F16.1	A
107-3-F16.2	B
107-3-F16.4	C

PARTNUMBER	DIRECTION OF REEL	LOOSE-PIECE	MATERIAL	PLATING
1-163087-5	A	1-163088-4	BRASS	SILVER
1-163087-4	A	1-163088-4	BRASS	EL. TIN
1-163087-3	A	1-163088-3	BRASS	BR. TIN/LEAD
5-163087-3	A		BRASS	ECON. GOLD
5-163087-2	A		BRASS	SEL. GOLD
5-163087-1	A		BRASS	EL. TIN
1-163087-2	B	1-163088-1	BRASS	GOLD
1-163087-1	A		BRASS	ECON. GOLD
1-163087-0	B	1-163088-0	BRASS	ECON. GOLD
163087-9	A		BRASS	EL. TIN
163087-8	A		BRASS	SEL. GOLD
163087-2	B	163088-2	BRASS	SEL. GOLD
163087-1	B	163088-1	BRASS	EL. TIN

AD	EBD0-0335-04	JMS	FWK	02/08/04	
U	EH-0002-99	D.K.	A.B.	04 JAN 98	
T	EH-1125-98	D.K.	R.V.	22 JUL 98	
S	EH-0302-94	JvL	MvD	03-05-94	
R	ECN H-9526	MvD	RD	06-02-92	
P	ECN H-9192	MvD	RD	09-10-91	
LTR.	REVISION RECORD	DR.	CHK.	DATE	
DR.:	-	CHK.:	-	APP.:	-
DATE:	-	DATE:	-	DATE:	-

CUSTOMER DRAWING FOR REFERENCE ONLY WILL NOT BE UPDATED

© COPYRIGHT 19- BY AMP HOLLAND B.V.
ALL INTERNATIONAL RIGHTS RESERVED. AMP PRODUCTS MAY BE COVERED BY U.S. AND FOREIGN AND/OR PATENTS PENDING.
THIS DRAWING IS UNPUBLISHED
RELEASED FOR PUBLICATION

AMP AMP HOLLAND B.V.
s-Hertogenbosch, The Netherlands.

NAME: SOCKET TYPE III CONTACT
SIZE 16

DWG. No. 163087
REV. LTR. AD
SHEET 1 OF 1
A3