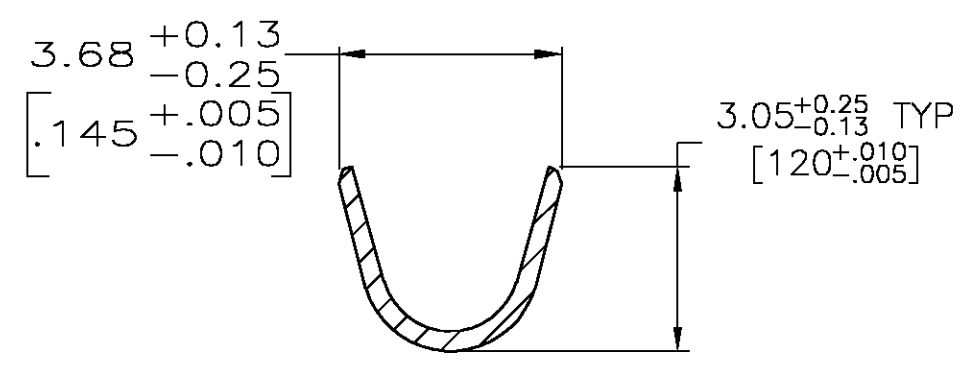
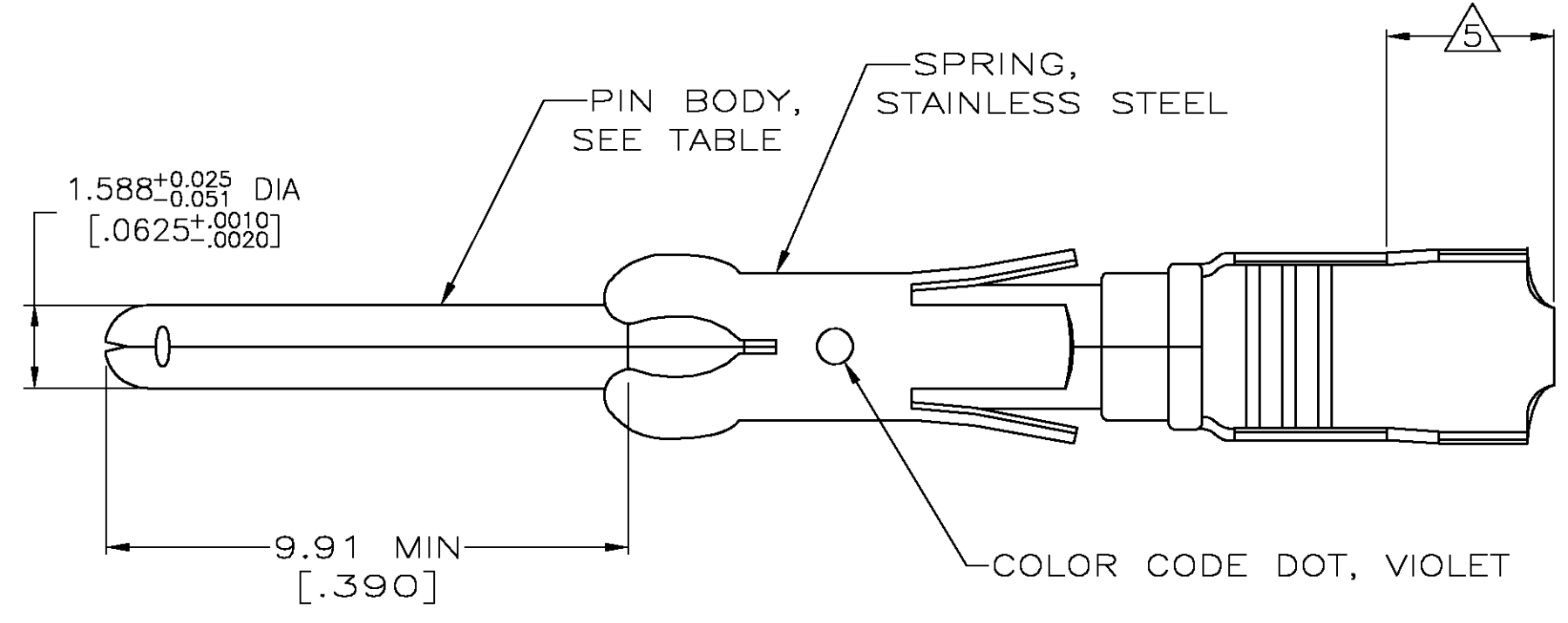
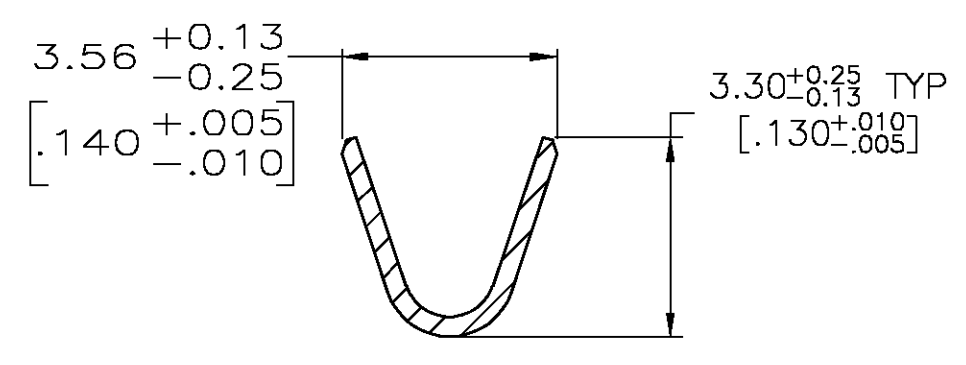
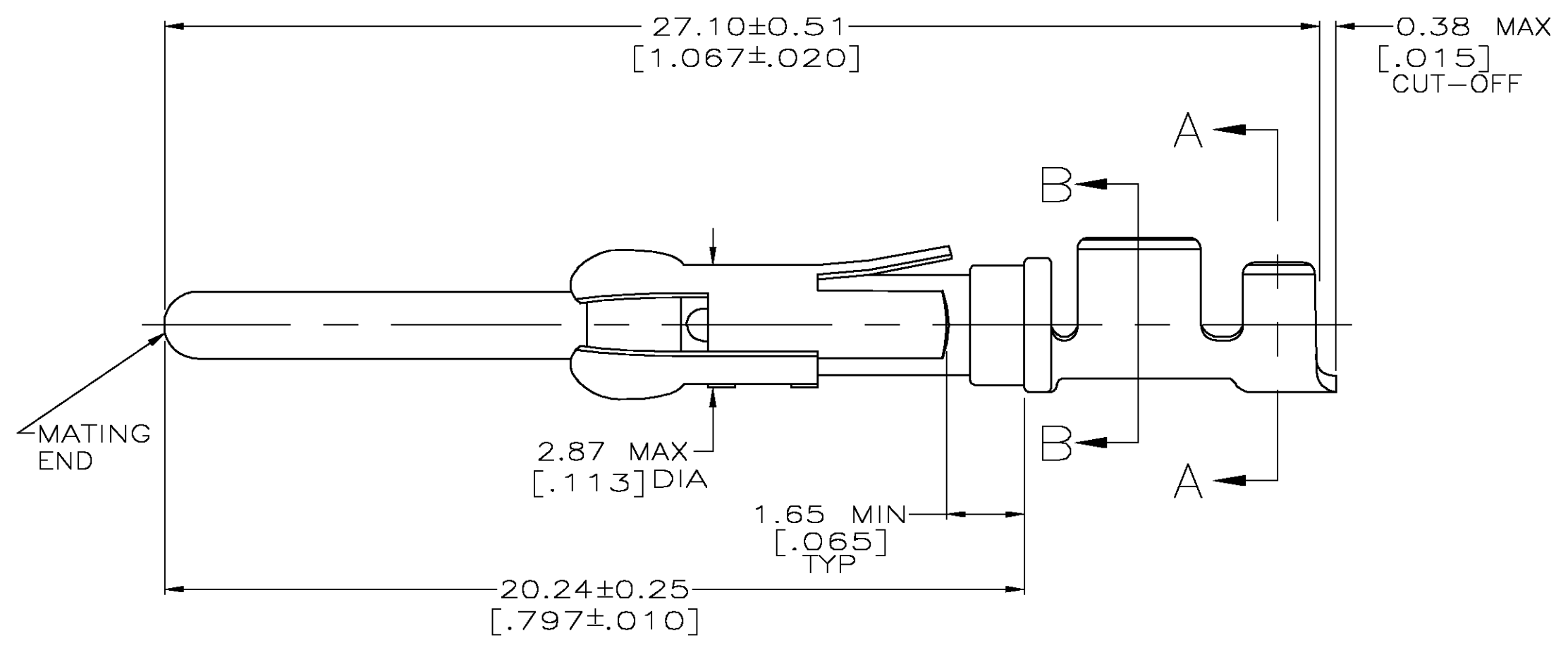


THIS DRAWING IS UNPUBLISHED. RELEASED FOR PUBLICATION
 © COPYRIGHT BY TYCO ELECTRONICS CORPORATION. ALL RIGHTS RESERVED.

LOC	DIST	REVISIONS					
FT	0	P	LTR	DESCRIPTION	DATE	DWN	APVD
		H		REVISED PER 0G3B-0956-04	11/18/04	SS	GS



SECTION A-A



SECTION B-B

- ① 0.76µm [.000030] MIN GOLD PER MIL-G-45204 ON MATING END FOR A LENGTH OF 5.08 [.200] MIN WITH GOLD FLASH ON THE REMAINDER, OVER 1.27µm [.000050] MIN NICKEL PER QQ-N-290.
- ② 0.76µm [.000030] MIN GOLD PER MIL-G-45204 IN MATING END FOR A LENGTH OF 5.08 [.200] MIN WITH A UNIFORM GRADIENT TO 0.25µm [.000010] MIN GOLD PER MIL-G-45204 ON THE REMAINDER, OVER 1.27µm [.000050] MIN NICKEL PER QQ-N-290.
- ③ 0.38µm [.000015] MIN GOLD PER MIL-G-45204 ON MATING END FOR A LENGTH OF 5.08 [.200] MIN WITH GOLD FLASH ON THE REMAINDER OVER 1.27µm [.000050] MIN NICKEL PER QQ-N-290.
- ④ 1.27µm [.000050] MIN TIN-LEAD PER MIL-T-10727 OVER 1.27µm [.000050] MIN NICKEL PER QQ-N-290.
- ⑤ GOLD PLATING NOT REQUIRED IN THIS AREA.
- 6. WIRE RANGE 18-14 AWG.
- 7. INSULATION RANGE 2.03 [.080]-2.54 [.100] DIA.
- ⑧ 0.38µm [.000015] MIN GOLD PER MIL-G-45204 ON MATING END FOR A LENGTH OF 5.08 [.200] MIN, 1.27µm [.000050] MIN TIN-LEAD PER MIL-T-10727 FOR A LENGTH OF 5.69 [.224] MIN ON OPPOSITE END, BOTH OVER 1.27µm [.000050] MIN NICKEL PER QQ-N-290 ON ENTIRE CONTACT.
- ⑨ 1.27µm [.000050] MIN TIN PER MIL-T-10727 OVER 1.27µm [.000050] MIN NICKEL PER QQ-N-290.

	STANDARD	⑨	CU-NI ALLOY	1-66359-9	1-66361-6
	STANDARD	④	CU-NI ALLOY	1-66359-7	1-66361-5
	STANDARD	①	CU-NI ALLOY	1-66359-6	1-66361-4
	SMALL PACK	⑨	BRASS	1-66359-4	1-66361-3
	STANDARD	⑨	BRASS	1-66359-4	1-66361-2
	SMALL PACK	①	BRASS	66359-4	1-66361-1
	SMALL PACK	④	BRASS	66359-2	1-66361-0
OBSOLETE	STANDARD	⑧	BRASS	1-66359-3	66361-9
OBSOLETE	STANDARD	①	PHOSPHOR BRONZE	1-66359-2	66361-8
OBSOLETE	STANDARD	④	PHOSPHOR BRONZE	1-66359-1	66361-7
	STANDARD	①	BRASS	66359-4	66361-4
	STANDARD	③	BRASS	66359-3	66361-3
	STANDARD	④	BRASS	66359-2	66361-2
	STANDARD	②	BRASS	66359-1	66361-1
PACKAGING	BODY FINISH	BODY MATERIAL	STRIP P/N REF	PART NUMBER	

THIS DRAWING IS A CONTROLLED DOCUMENT.

DIMENSIONS: INCHES	TOLERANCES UNLESS OTHERWISE SPECIFIED:	DWN L.SIPE 06/03/92	Tyco Electronics Corporation Harrisburg, Pa 17105-3608
	0 PLC ± -	CHK W.LENKER 6-11-92	
	1 PLC ± -	APVD G.STEINHAUER 7-8-92	
	2 PLC ± 0.13 [.005]	PRODUCT SPEC	
MATERIAL SEE CALLOUTS	FINISH SEE TABLE	APPLICATION SPEC	NAME PIN ASSEMBLY, LOOSE PIECE, TYPE III+
		WEIGHT -	SIZE A2 CAGE CODE 00779 C=66361
		CUSTOMER DRAWING	RESTRICTED TO -

SCALE 8:1 SHEET 1 OF 1 REV H