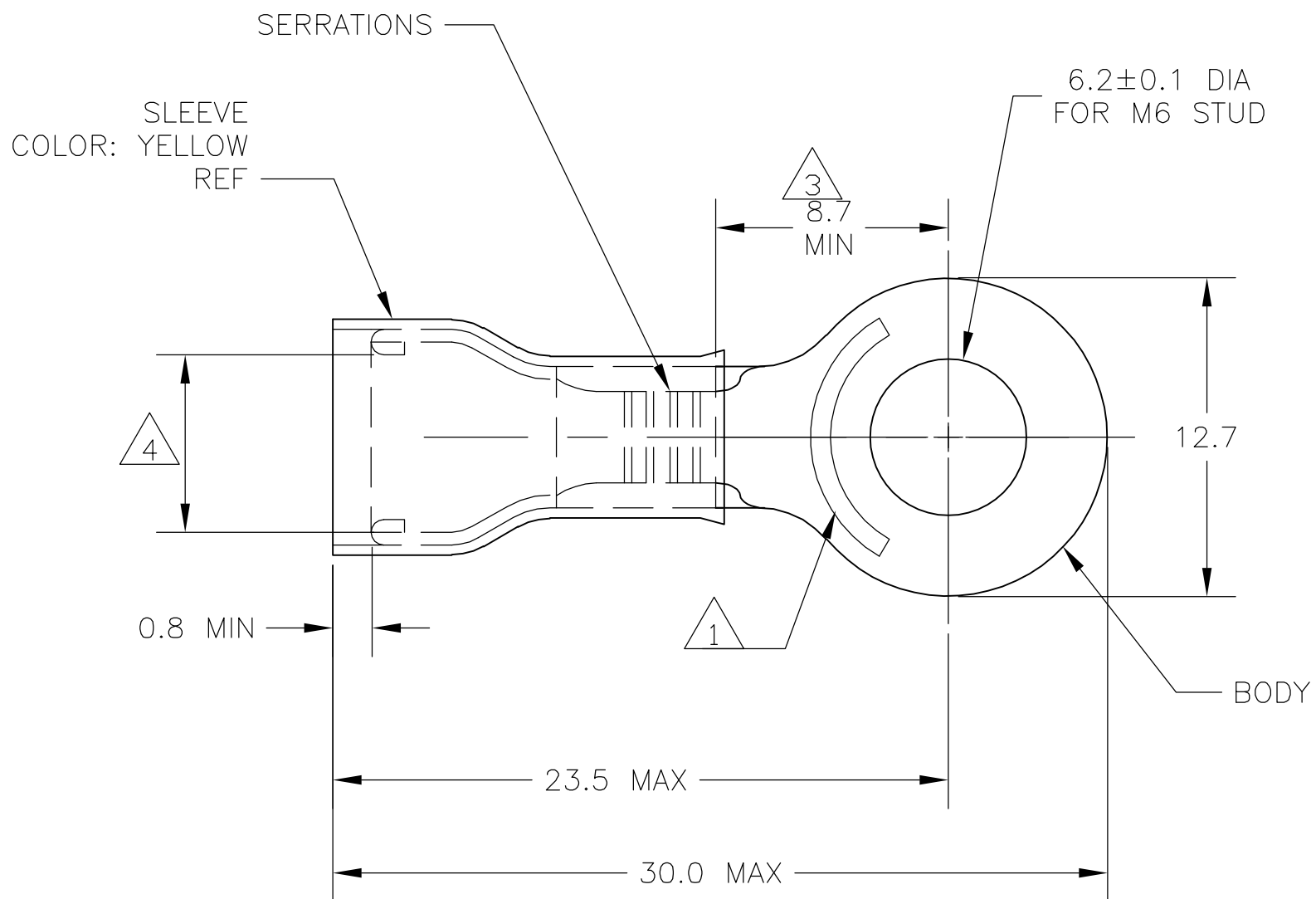


THIS DRAWING IS UNPUBLISHED. RELEASED FOR PUBLICATION
© COPYRIGHT - BY TYCO ELECTRONICS CORPORATION. ALL RIGHTS RESERVED.

LOC	DIST	REVISIONS					
G	14	P	LTR	DESCRIPTION	DATE	DWN	APVD
			A3	REV PER ECR 07-007500	30MAR07	JR	TM



- 1 STAMP "AMP 12-10*", LOCATION APPROX AS SHOWN.
- 2 TONGUE THICKNESS IS 1.00±0.05
- 3 APPLIES TO EDGE OF METAL WIRE BARREL TO CENTER OF STUD HOLE.
- 4 WIRE INSULATION DIA RANGE 3.8-6.4
- 5 BODY - COPPER PER ASTM B152
SLEEVE - COPPER PER ASTM B152
INSULATION - NYLON
- 6 BODY - TIN PLATE PER ASTM B545
SLEEVE - TIN PLATE PER ASTM B545
INSULATION - COLOR-YELLOW
- 7 105°C MAX OPERATING TEMP.
- 8 300 VOLT MAX
- 9 2.62-6.64mm² [5,180-13,100 CMA]
SOLID OR STRANDED

2500	ON TAPE & REEL	2-165028-1
500	LOOSE PIECE	165028
QTY	PACKAGE TYPE	PART NO

THIS DRAWING IS A CONTROLLED DOCUMENT.		DWN jr_ruth 29MAR07	Tyco Electronics Corporation Harrisburg, PA 17105-3608	
DIMENSIONS: MM INCHES		CHK T MICHIELUTTI 29MAR07		
TOLERANCES UNLESS OTHERWISE SPECIFIED:		APVD T MICHIELUTTI 29MAR07	NAME TERMINAL RING TONGUE, PIDG, WIRE SIZE 12-10	
0 PLC ± - 1 PLC ± 0.2 2 PLC ± - 3 PLC ± - 4 PLC ± - ANGLES ± 5°		PRODUCT SPEC -	RESTRICTED TO -	
MATERIAL		APPLICATION SPEC -	SIZE A3	CAGE CODE 00779
FINISH		WEIGHT -	DRAWING NO C-165028	REV A3
CUSTOMER DRAWING			SCALE 4:1	SHEET 1 OF 1