

# Data sheet

## RP095xxRBWC Typ 157 with clip system

Page 1/6

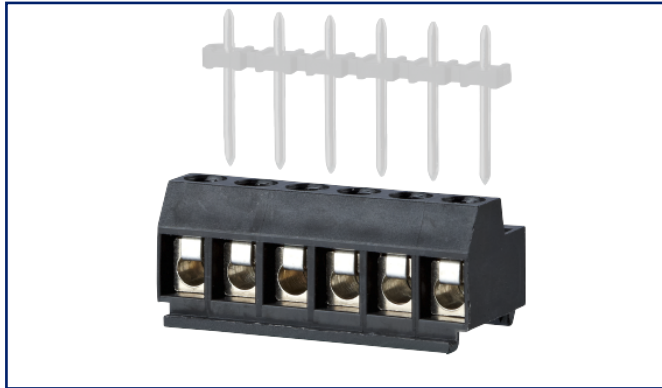
P/N  
311571xx

xx=number of poles

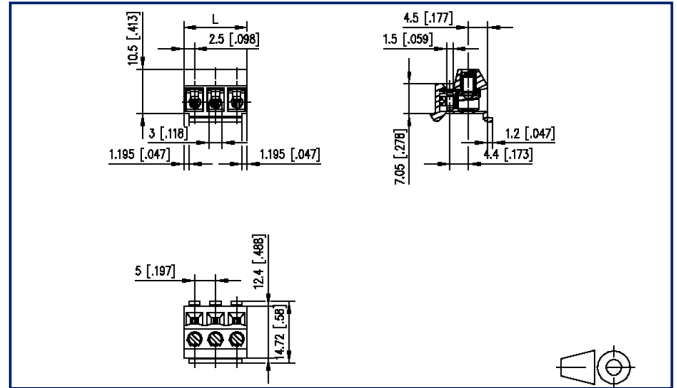
2021/09/15

Version: AD

### Illustrations



### Dimensional drawing



See enlarged drawings at the end of document

### Product specification

- screw type terminal block, pluggable
- centerline 5.00 mm, direction of connection 90°
- wire protector, fittable without loss of poles
- color black
- pluggable, top side pin insertion, snap-in technique for mounting into a housing





**Data sheet**  
**RP095xxRBWC Typ 157 with clip system**

**Technical Data**

General Data			
Tightening torque SEV	0.5 Nm		
Tightening torque UL	4.4 lb-in		
min. number of poles	2		
max. number of poles	24		
Insulating material class	CTI 600		
clearance/creepage dist.	4.15 mm		
Protection category	IP20		
Min. insul. strip length	6 mm		
Rated current	10 A		
Overvoltage category	III	III	II
Pollution degree	3	2	2
Rated voltage	63 V	320 V	320 V
Rated test voltage	2.5 kV	2.5 kV	2.5 kV

Anschlussdaten	
rat.wiring solid AWGmax	0.08 mm <sup>2</sup> - 2.5 mm <sup>2</sup> / AWG 28 - AWG 14
rat.wiring strand.AWGmax	0.08 mm <sup>2</sup> - 2.5 mm <sup>2</sup> / AWG 28 - AWG 14

Approvals	
 V / A / AWG	300 / 5 / 28 - 14
approval UL - File No.	E121004
 2.5 mm <sup>2</sup>	250 V / 4 kV / 13.5 A

Material	
insulating material	PA66
flammability class	V0
contact material	CuSn
Contact surface	Sn
terminal body thread	M3
terminal body material	CuZnPb
terminal body surface	Ni
screw thread	M3
screw material	8,8
screw surface	Zn Cr(VI)-frei/free
wire protector material	CuSn
wire protector surface	Sn

# U | Contact

Data sheet

Page 3/6

## RP095xxRBWC Typ 157 with clip system

P/N

311571xx

xx=number of poles

2021/09/15

Version: AD

### Technical Data

Glow-Wire Flammability GWFI	960 °C acc. to IEC 60695-2-12
Glow-Wire Flammability GWIT	775 °C acc. to IEC 60695-2-13
REACH - substance (SVHC)	Lead / 7439-92-1

### Climatic Data

upper limit temperature	105 °C
lower limit temperature	-40 °C

### general

Tolerance	ISO 2768 -mH
-----------	--------------

# U | Contact

## Data sheet RP095xxRBWC Typ 157 with clip system

Page 4/6

P/N  
311571xx

xx=number of poles

2021/09/15

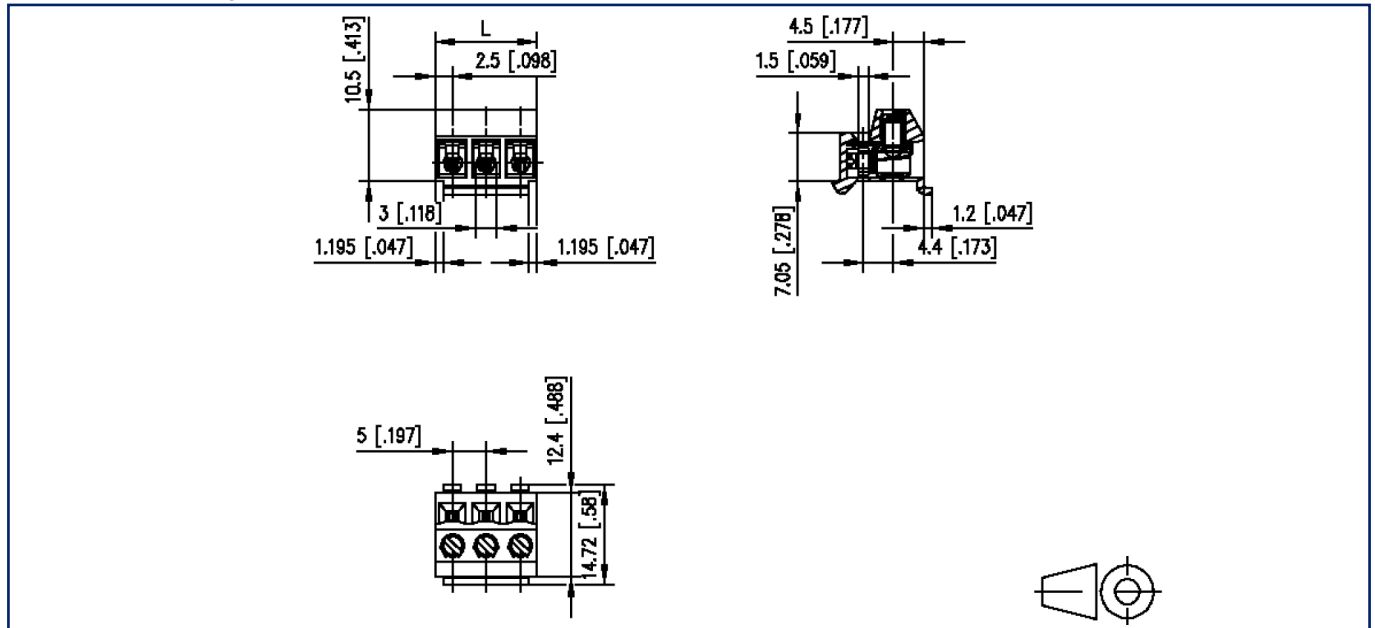
Version: AD

### Counterpart

P/N	Designation
310461	PR035xxVBHC Typ 046
313171	PM015xxVBHC Typ 317
313181	PM025xxVBHC Typ 318

## Illustrations

Dimensional drawing



$L = (\text{pole size} - 1) \times \text{centerline} + 5 \text{ mm } [0.197]$

**Illustrations**

Application example

