

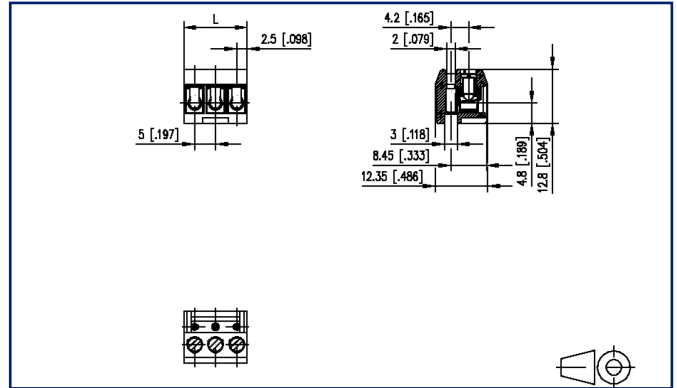
# Data sheet

RP025xxHBWC Typ 107

## Illustrations



Dimensional drawing



See enlarged drawings at the end of document



## Product specification

- screw type terminal block, pluggable
- centerline 5.00 mm, direction of connection 90°
- wire protector, fittable without loss of poles
- color black
- Wire entry perpendicular to plug direction

**Technical Data**

| General Data              |           |        |        |
|---------------------------|-----------|--------|--------|
| Tightening torque SEV     | 0.5 Nm    |        |        |
| Tightening torque UL      | 4.4 lb-in |        |        |
| min. number of poles      | 2         |        |        |
| max. number of poles      | 24        |        |        |
| Insulating material class | CTI 600   |        |        |
| clearance/creepage dist.  | 2.3 mm    |        |        |
| Protection category       | IP00      |        |        |
| Min. insul. strip length  | 6 mm      |        |        |
| Rated current             | 6 A       |        |        |
| Overvoltage category      | III       | III    | II     |
| Pollution degree          | 3         | 2      | 2      |
| Rated voltage             | 100 V     | 320 V  | 320 V  |
| Rated test voltage        | 2.5 kV    | 2.5 kV | 2.5 kV |

| Anschlussdaten           |  |
|--------------------------|--|
| rat.wiring solid AWGmax  | 0.08 mm <sup>2</sup> - 2.5 mm <sup>2</sup> / AWG 28 - AWG 12 |
| rat.wiring strand.AWGmax | 0.08 mm <sup>2</sup> - 2.5 mm <sup>2</sup> / AWG 28 - AWG 12 |

| Approvals   |                       |
|---|-----------------------|
|  V / A / AWG         | 300 / 10 / 28 - 12    |
| approval UL - File No.  | E121004               |
|  2.5 mm <sup>2</sup> | 250 V / 2.5 kV / 10 A |

| Material                |                     |
|-------------------------|---------------------|
| insulating material     | PA66                |
| flammability class      | V0                  |
| contact material        | CuSn                |
| Contact surface         | Sn                  |
| terminal body thread    | M3                  |
| terminal body material  | CuZnPb              |
| terminal body surface   | Ni                  |
| screw thread            | M3                  |
| screw material          | 8,8                 |
| screw surface           | Zn Cr(VI)-frei/free |
| wire protector material | CuSn                |
| wire protector surface  | Sn                  |

# U | Contact

Data sheet

**RP025xxHBWC Typ 107**

Page 3/6

P/N

**311071xx****xx=number of poles**

2021/09/15

Version: R

## Technical Data

|                             |                               |
|-----------------------------|-------------------------------|
| Glow-Wire Flammability GWFI | 960 °C acc. to IEC 60695-2-12 |
| Glow-Wire Flammability GWIT | 775 °C acc. to IEC 60695-2-13 |
| REACH - substance (SVHC)    | Lead / 7439-92-1              |

## Climatic Data

|                         |        |
|-------------------------|--------|
| upper limit temperature | 105 °C |
| lower limit temperature | -40 °C |

## general

|           |              |
|-----------|--------------|
| Tolerance | ISO 2768 -mH |
|-----------|--------------|



# U | Contact

Data sheet  
RP025xxHBWC Typ 107

Page 4/6

P/N  
311071xx

xx=number of poles

2021/09/15

Version: R

## Accessories

| P/N      | Designation                           |
|----------|---------------------------------------|
| 710084   | Mounting flange right for type 07, 08 |
| 710085   | Mounting flange left for type 07, 08  |
| 710121-2 | Coding pin short for type 007         |
| 710122-2 | Coding pin long for type 007          |
| 716846   | Coding comb pastel blue               |

# U | Contact

Data sheet  
RP025xxHBWC Typ 107

Page 5/6

P/N  
311071xx

xx=number of poles

2021/09/15

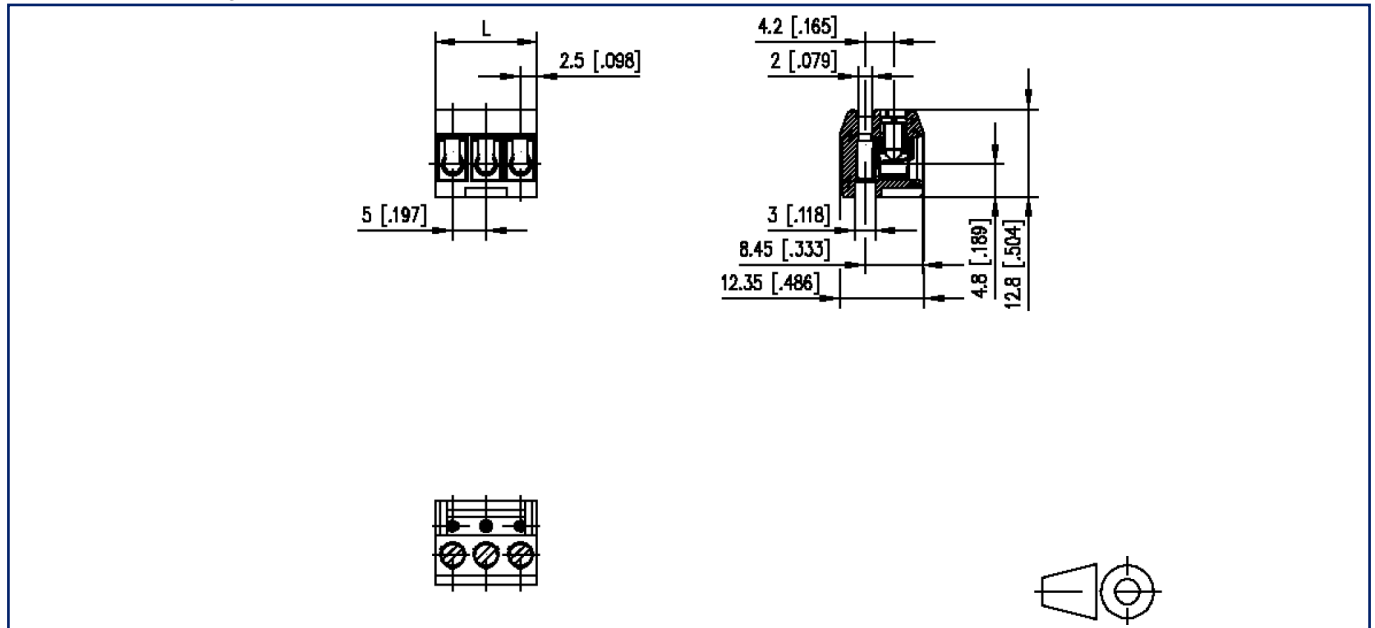
Version: R

## Counterpart

| P/N    | Designation          |
|--------|----------------------|
| 310171 | PR015xxVBHC Typ 017  |
| 310271 | PR015xxVBVC Typ 027  |
| 310391 | PT055xxHBHC Typ 039  |
| 310411 | PT065xxVBEN Typ 041  |
| 310421 | PT065xxVBVN Type 042 |
| 314171 | PM035xxVBHC Typ 417  |

## Illustrations

Dimensional drawing



$L = (\text{pole size} - 1) \times \text{centerline} + 5 \text{ mm } [0.197]$