





## Technical Data

### General Data

Solder pin length	3.6 mm		
min. number of poles	2		
max. number of poles	24		
Insulating material class	CTI 600		
clearance/creepage dist.	2.5 mm		
Protection category	IP00		
Rated current	6 A		
Overvoltage category	III	III	II
Pollution degree	3	2	2
Rated voltage	200 V	500 V	500 V
Rated test voltage	2.5 kV	2.5 kV	2.5 kV

### Approvals

 V / A	300 / 15
approval UL - File No.	E121004
 SEV Reg 130002	200 V / 2.5 kV / 6 A / 1.0 mm

### Material

insulating material	PA46
flammability class	V0
contact pin material	CuZnPb
contact pin surface	Ni + Sn
Glow-Wire Flammability GWFI	-
Glow-Wire Flammability GWIT	-
REACH - substance (SVHC)	Lead / 7439-92-1

### Climatic Data

upper limit temperature	105 °C
lower limit temperature	-40 °C

### general

Tolerance	ISO 2768 -mH
Solderability	Acc. to IPC/JEDEC J-STD-020D-MSL 1

# U | Contact

Data sheet  
**PR033xxVBHC Typ 224**

Page 3/5

P/N  
**312241xx**

**xx=number of poles**

2021/09/15

Version: U

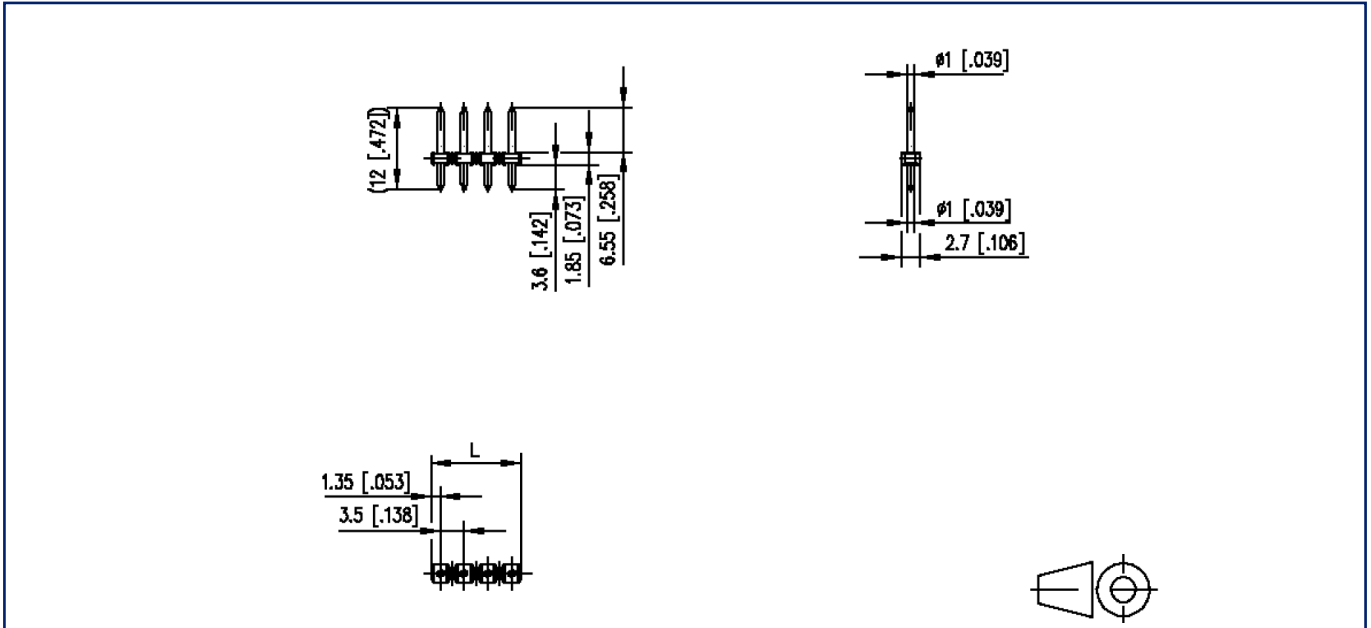
## Counterpart of

P/N	Designation
311661	RP023xxHBWC Typ 166



## Illustrations

Dimensional drawing



$L = (\text{pole size} - 1) \times \text{centerline} + 2.7 \text{ mm} [0.106]$

# U | Contact

Data sheet  
**PR033xxVBHC Typ 224**

Page 5/5

P/N  
**312241xx**  
xx=number of poles  
2021/09/15  
Version: U

## Illustrations

Drill pattern

