

## Data sheet PR015xxVBHC Typ 017

Page 1/5

P/N  
310171xx

xx=number of poles

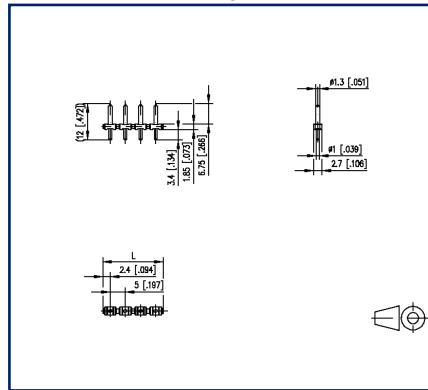
2021/09/15

Version: X

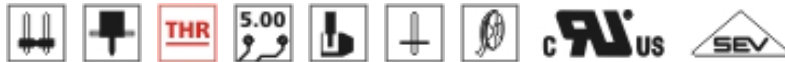
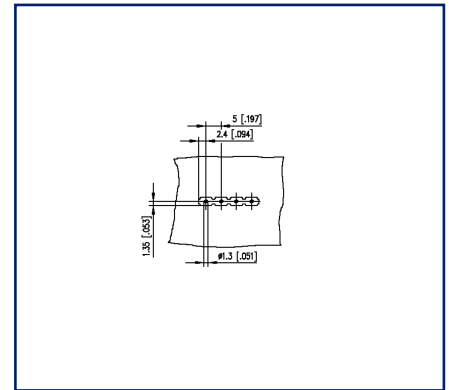
### Illustrations



Dimensional drawing



Drill pattern





See enlarged drawings at the end of document

### Product specification

- pin header, THR solderable
- centerline 5.00 mm, direction of connection vertical 0°
- fittable without loss of poles
- color black
- Tape & Reel packaging possible

## Technical Data

General Data			
Solder pin length	3.4 mm		
min. number of poles	2		
max. number of poles	24		
Insulating material class	CTI 400		
clearance/creepage dist.	3.7 mm		
Protection category	IP00		
Rated current	10 A		
Overvoltage category	III	III	II
Pollution degree	3	2	2
Rated voltage	250 V	500 V	500 V
Rated test voltage	4 kV	4 kV	4 kV
Approvals			
 V / A	300 / 15		
approval UL - File No.	E121004		
 SEV Reg 130002	250 V / 4 kV / 10 A / 1.0 mm		
Material			
insulating material	PA66/6T		
flammability class	V0		
contact pin material	CuZnPb		
contact pin surface	Ni + Ag		
Glow-Wire Flammability GWFI	960 °C acc. to IEC 60695-2-12		
Glow-Wire Flammability GWIT	775 °C acc. to IEC 60695-2-13		
REACH - substance (SVHC)	Lead / 7439-92-1		
Climatic Data			
upper limit temperature	105 °C		
lower limit temperature	-40 °C		
general			
Tolerance	ISO 2768 -mH		
Solderability	Acc. to IPC/JEDEC J-STD-020D-MSL 1		

© 2021 METZ CONNECT - Technische Änderungen vorbehalten! Subject to modifications! Sous réserve de modifications techniques!

# U | Contact

## Data sheet PR015xxVBHC Typ 017

Page 3/5

P/N  
310171xx

xx=number of poles

2021/09/15

Version: X

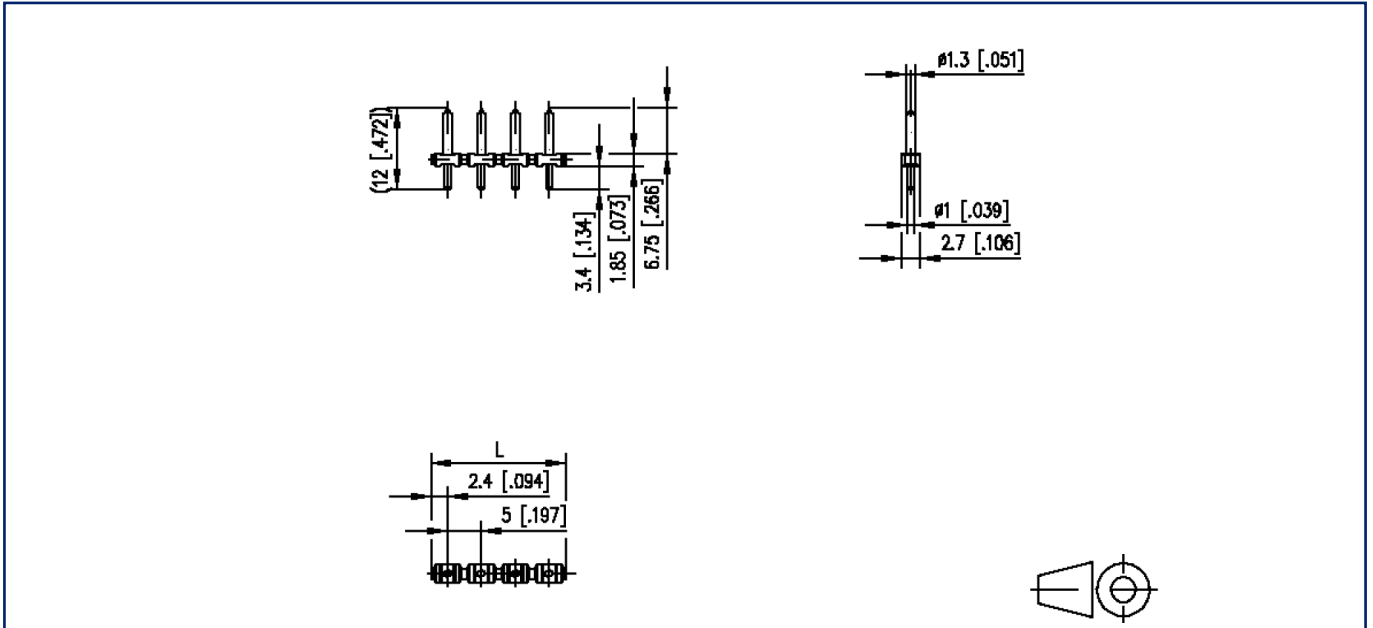
### Counterpart of

P/N	Designation
310071	RP025xxIBWC Typ 007
310261	FT085xxVBFC Type 026
310771	RP025xxIBWU Typ 077
311071	RP025xxHBWC Typ 107
ASP025	SP025xxHDNC ASP025
ASP0250204-001	SP02502HDNC ASP0250204-001
ASP0250304-001	SP02503HDNC ASP0250304-001
ASP0250404	SP025xxHDNC ASP025
ASP0250404-004	SP02504HDNC ASP0250404-004
ASP0250504-002	SP02505HDNC ASP0250504-002
ASP0250599-000	SP02505HMNC000 PROFINET
ASP0250804-004	SP02508HDNC ASP0250804-004
ASP145XX22-131	SP145xxHBPC0001
ASP155XX22-131	SP155xxHBPC0001



## Illustrations

Dimensional drawing



$L = (\text{pole size} - 1) \times \text{centerline} + 4.8 \text{ mm} [0.189]$

## Illustrations

### Drill pattern

