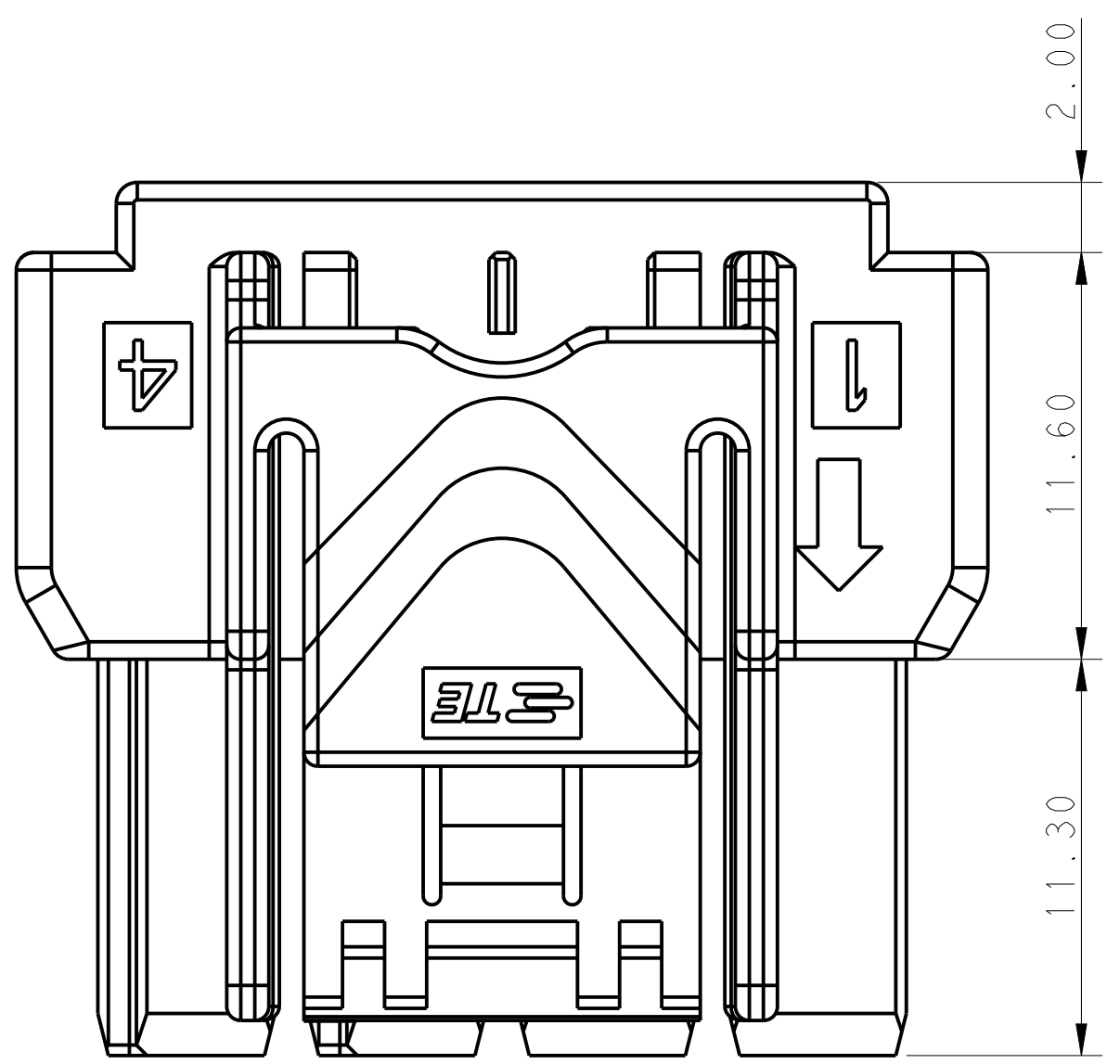
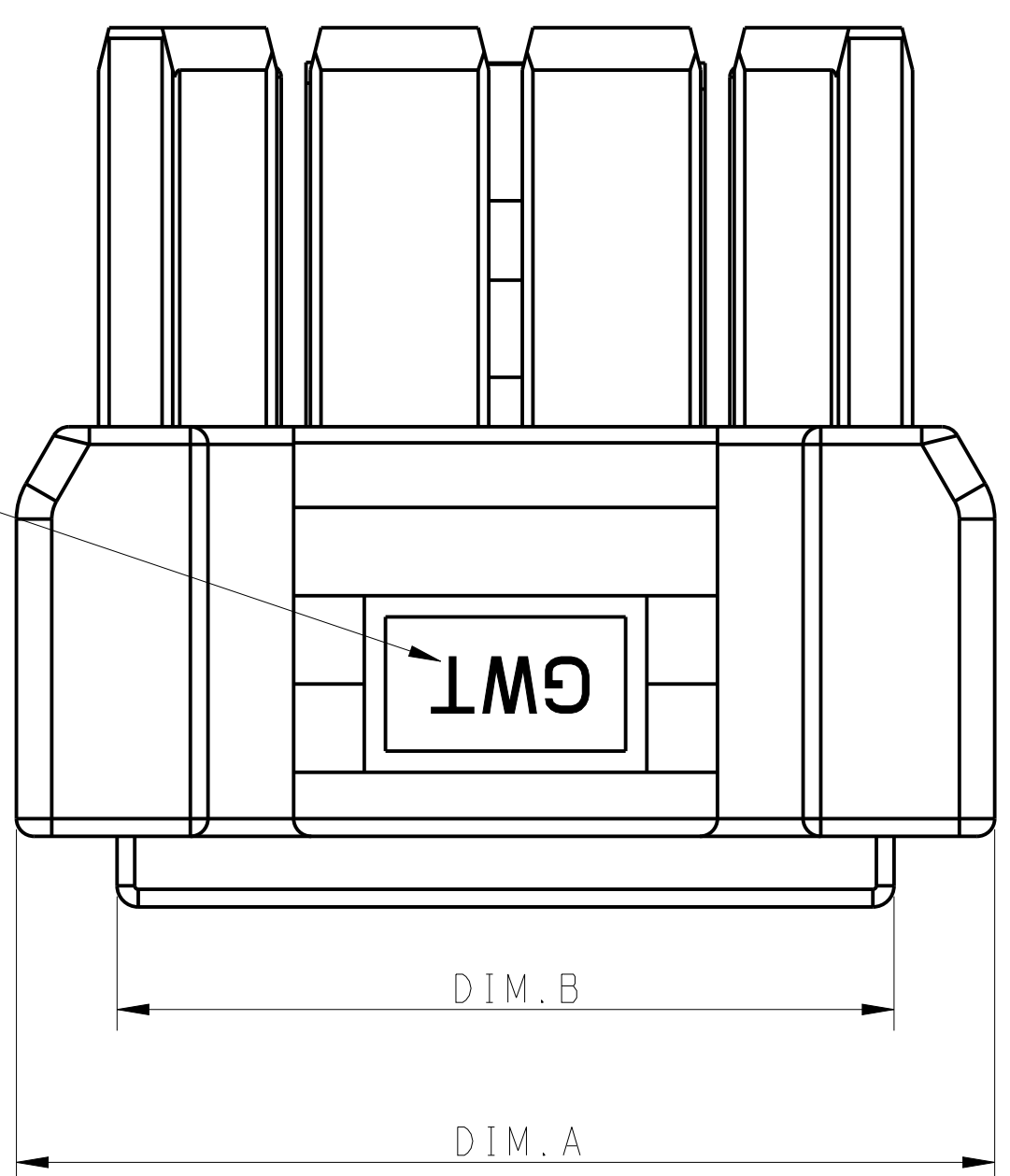
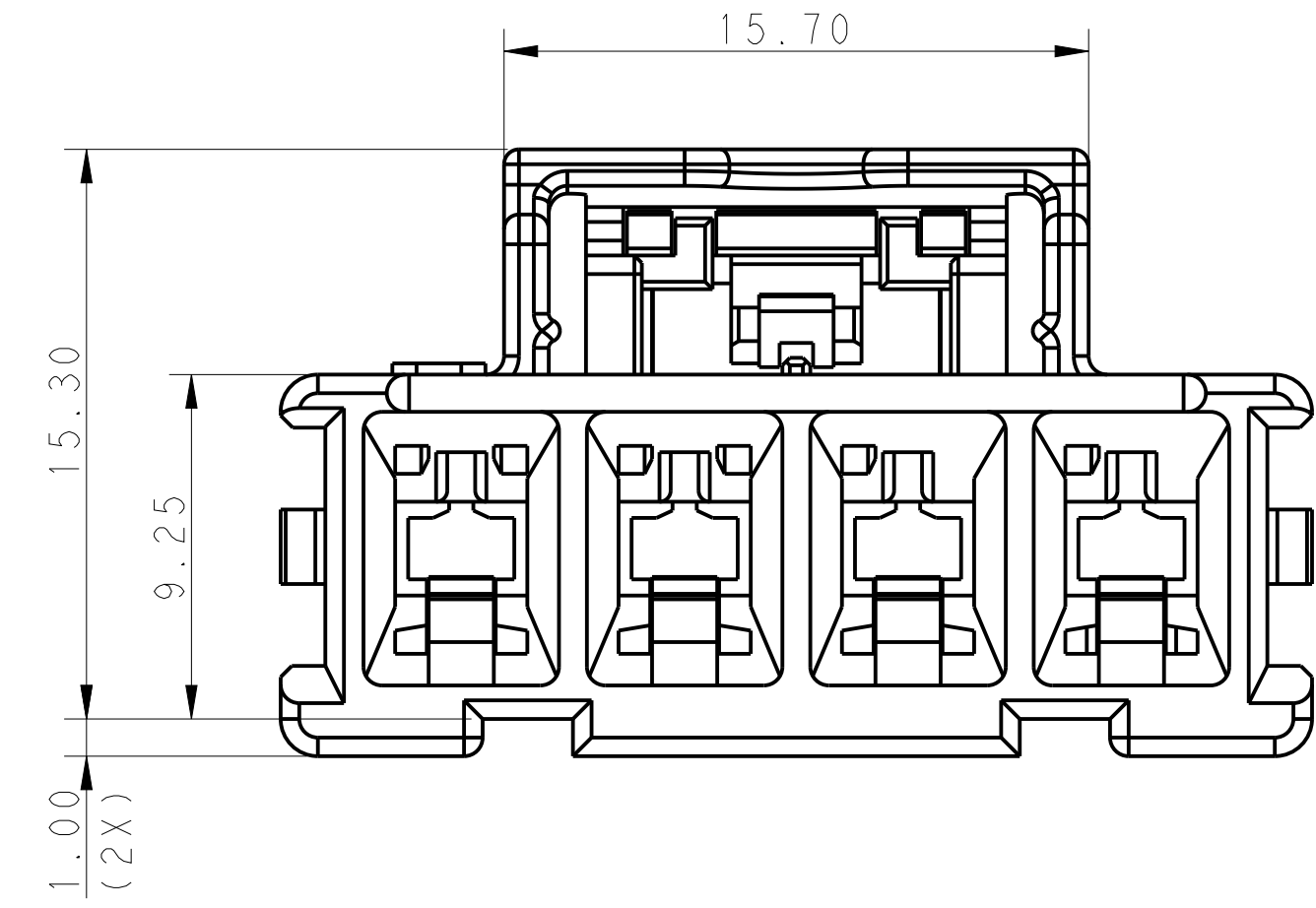
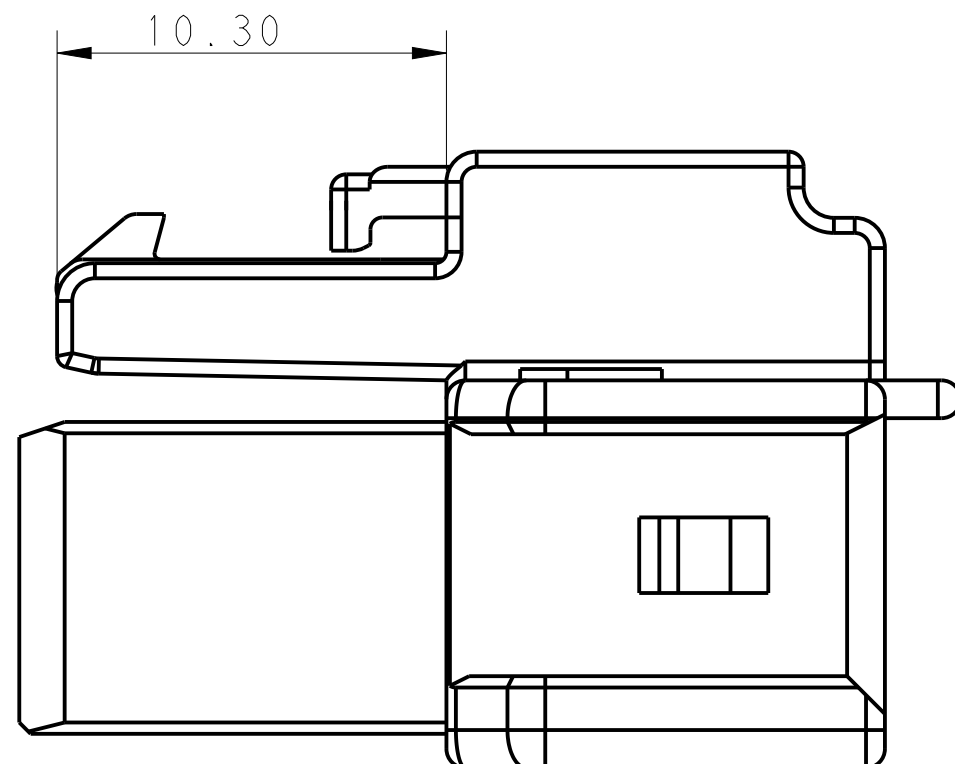
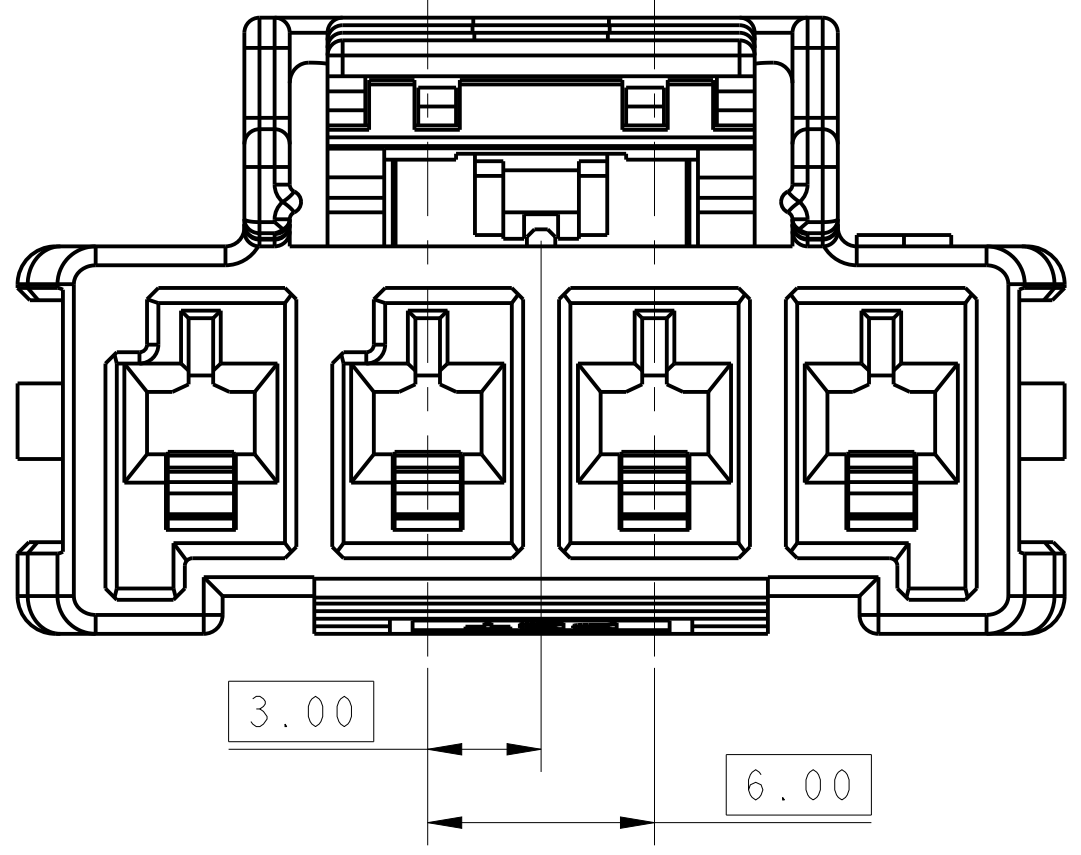


LOC		DIST		REVISIONS			
				REV	DATE	BY	APPV
		D		1	08APR2021	SS	VS



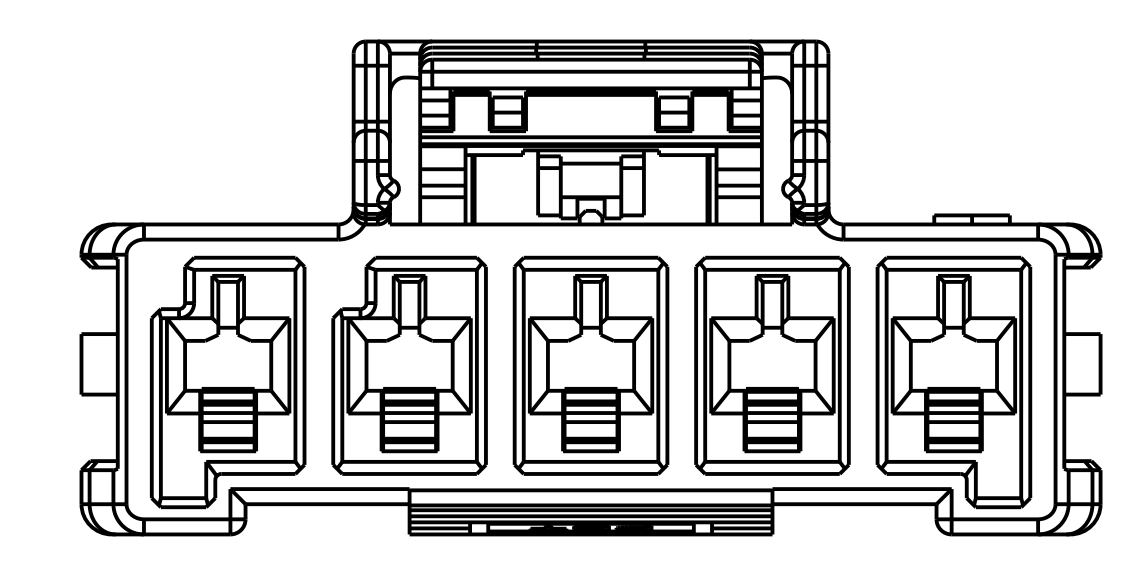
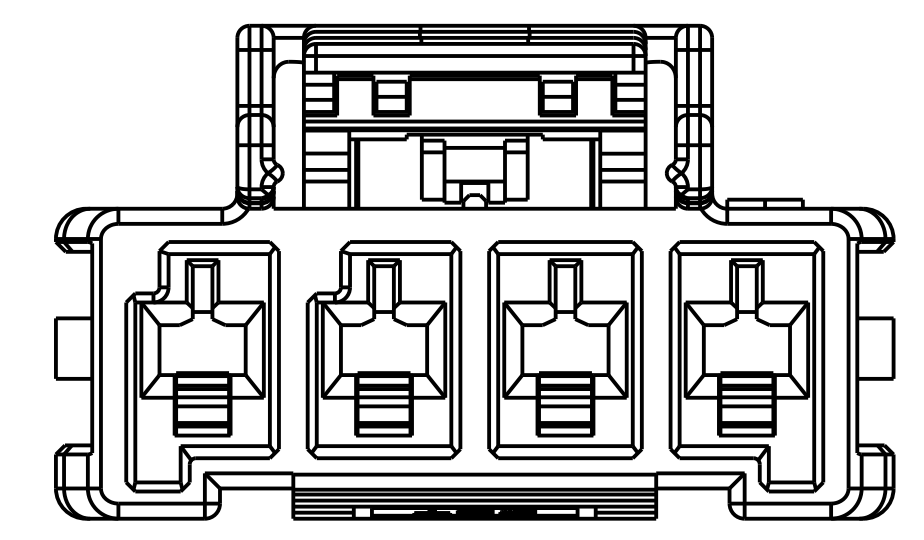
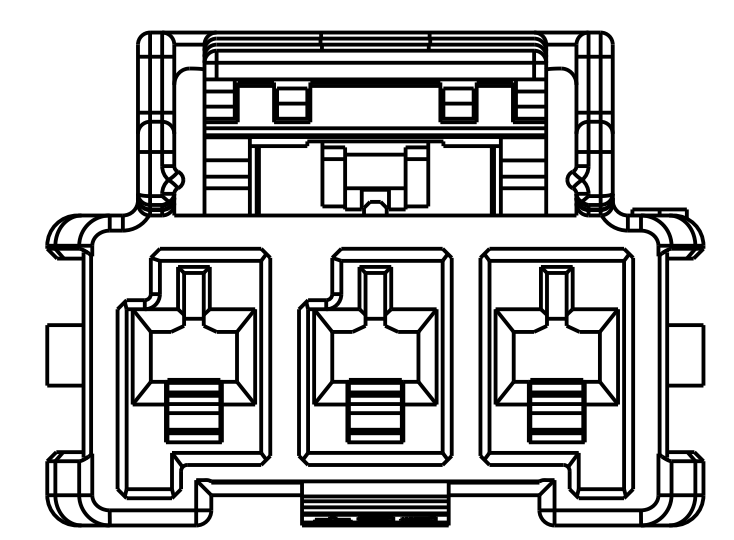
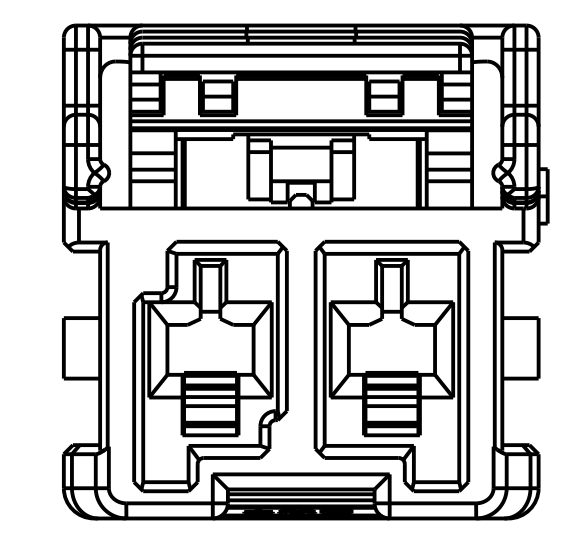
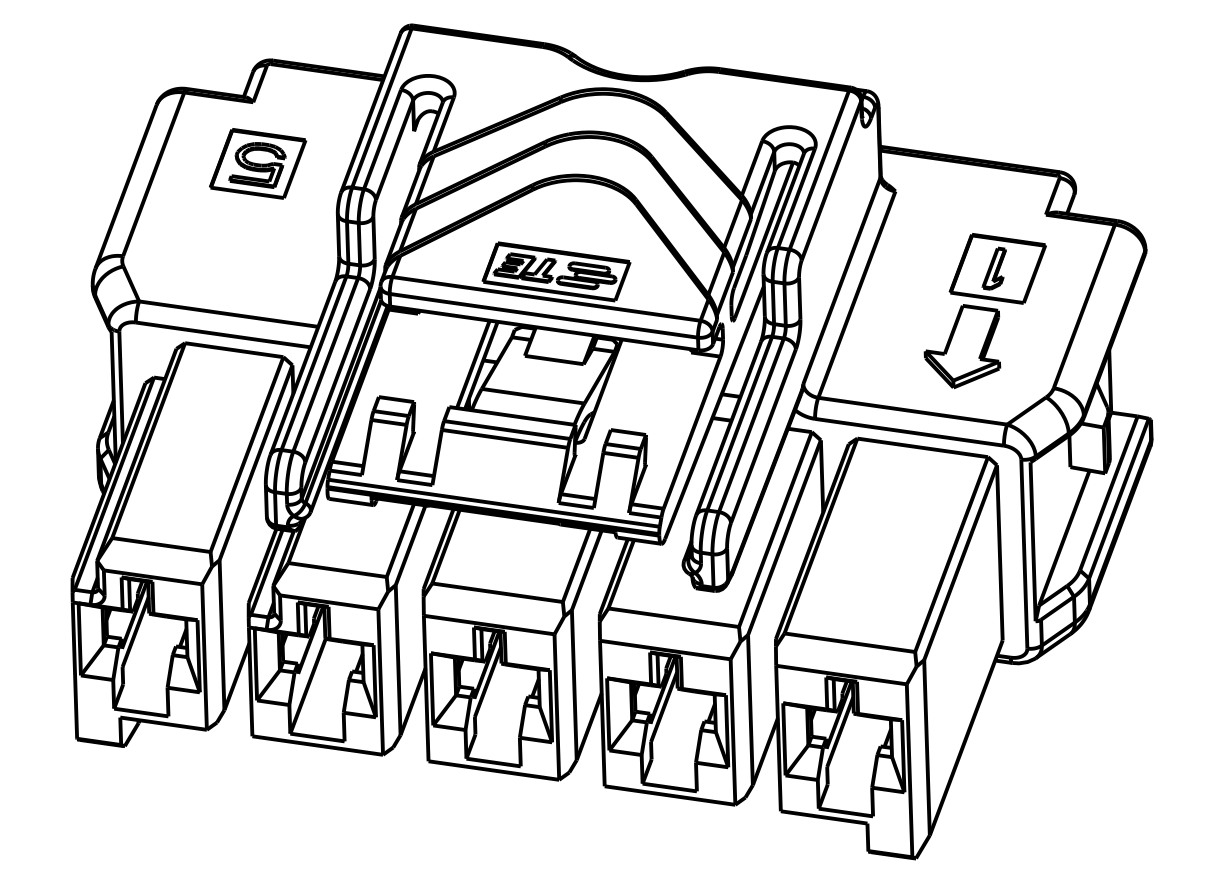
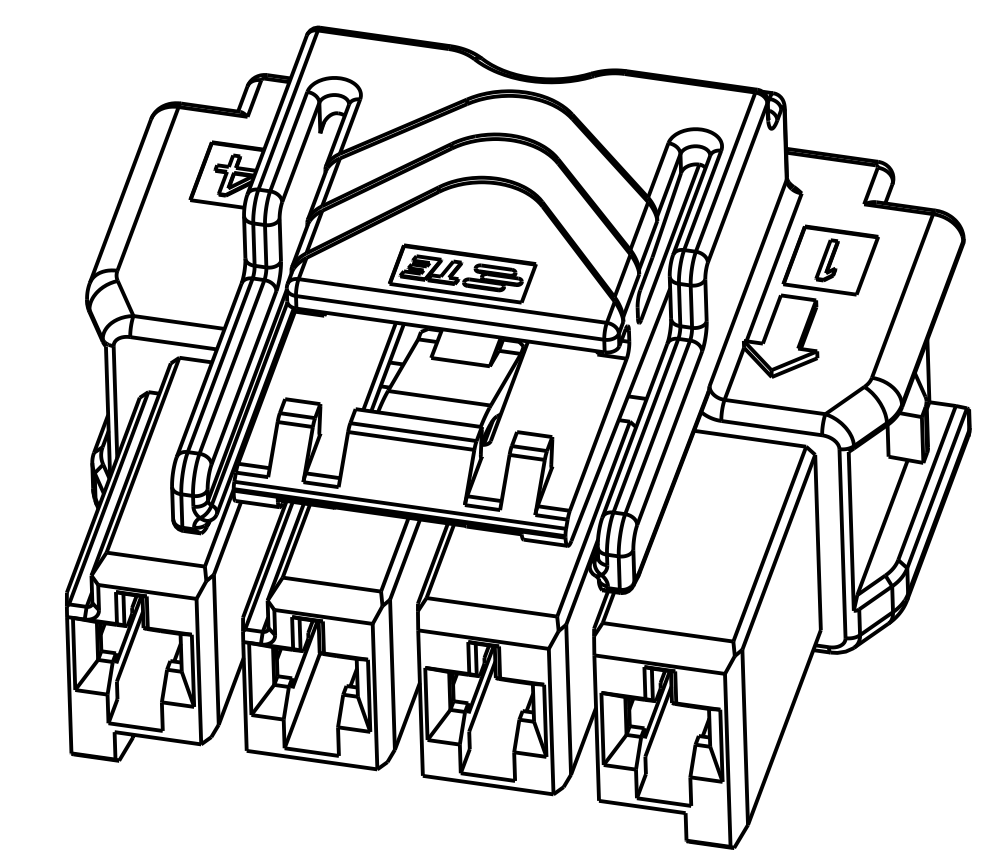
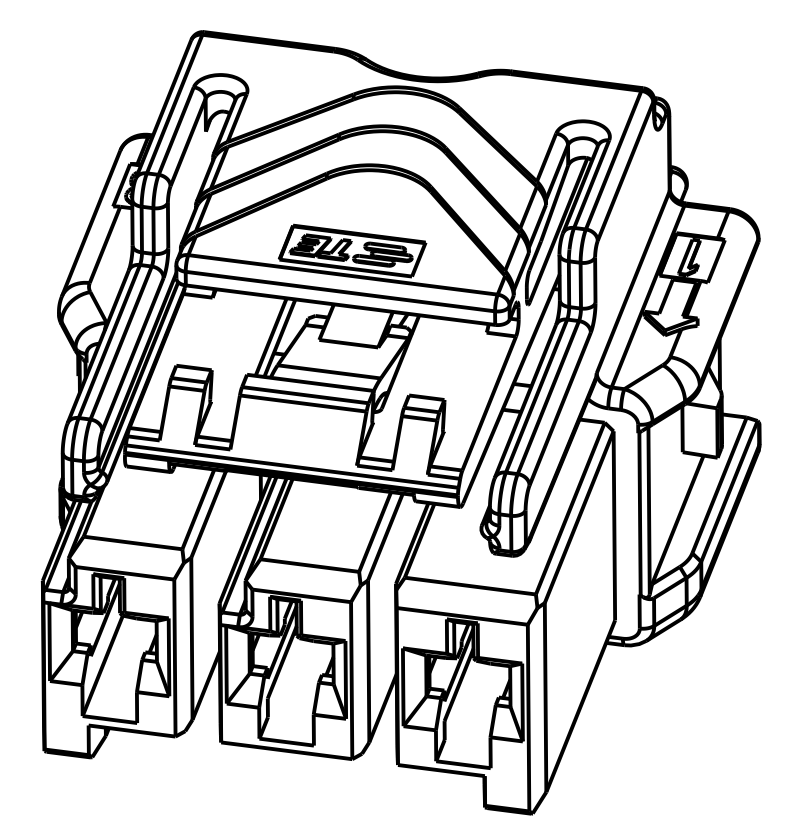
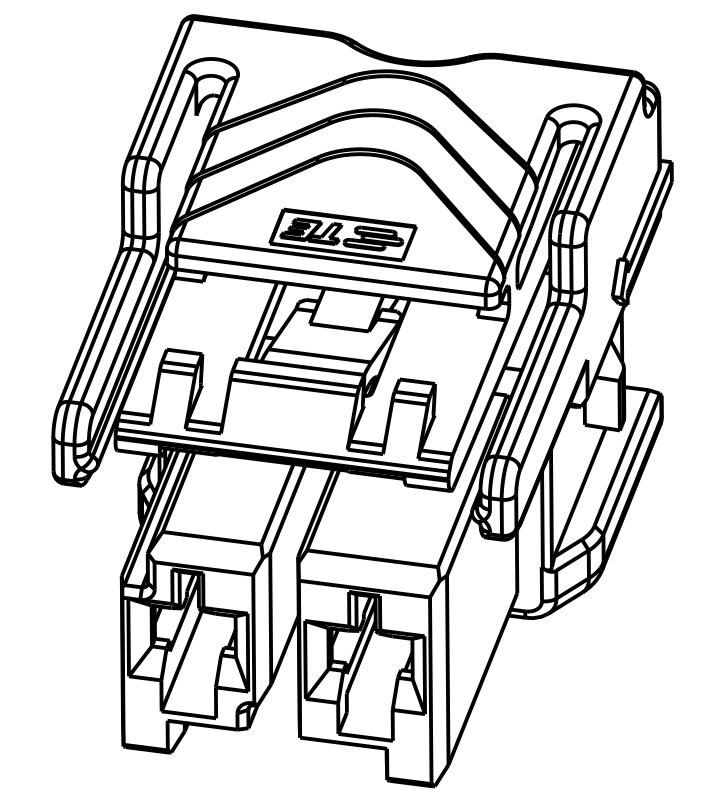
POS.	DIM. A	DIM. B
1*5	33.70	28.00
1*4	27.70	22.00
1*3	21.70	16.00
1*2	15.70	10.00



NOTE
 1. MATERIAL:
 LEVEL A: PA6, COMPLY WITH GLOW WIRE REQUIREMENTS FOR PARTS OF NON-METALLIC MATERIAL SUPPORTING A CURRENT-CARRYING CONNECTION DETAILED IN IEC 60335-1, SECTION 30 (GWT), UL 94V-0
 LEVEL B: PBT, HOT WIRE IGNITION (HWI) VERSION ARE MOLDED IN A RESIN THAT COMPLIES WITH TE HOT WIRE IGNITION TEST 109-32026 AND ARE RECOMMENDED FOR USE WITH HWI HOUSINGS THAT ALSO COMPLY, UL 94V-0
 2. MATERIAL MARK:
 LEVEL A: GWT, LEVEL B: HWT
 3. APPLICABLE CONTACT P/N
 REC CONTACT: 1971237/1971779/81/83/85/87-*
 4. MATING CONN. P/N
 CAP HSG: *-2232358/263-*
 TPA: *-1971777-*

THIS DRAWING IS A CONTROLLED DOCUMENT.		DWN	26MAR2013		PLUG HOUSING, SINGLE ROW POWER TRIPLE LOCK		
DIMENSIONS:		CHK	26MAR2013				
TOLERANCES UNLESS OTHERWISE SPECIFIED:		APPV	26MAR2013				
mm		NAME					
0 PLC	±	PRODUCT SPEC		SIZE	CAGE CODE	DRAWING NO	RESTRICTED TO
1 PLC	±0.35	108-106118		A1	00779	C=2232265	
2 PLC	±0.25	APPLICATION SPEC		SCALE	SHEET	OF	REV
3 PLC	±	114-106118			1	2	D
4 PLC	±	WEIGHT		Customer Drawing			
ANGLES	±						
MATERIAL	FINISH						
SEE TABLE							

LOC		DIST		REVISIONS			
				REV	DATE	BY	APPV
-	-	-	-	-	-	-	-
SEE SHEET 1							

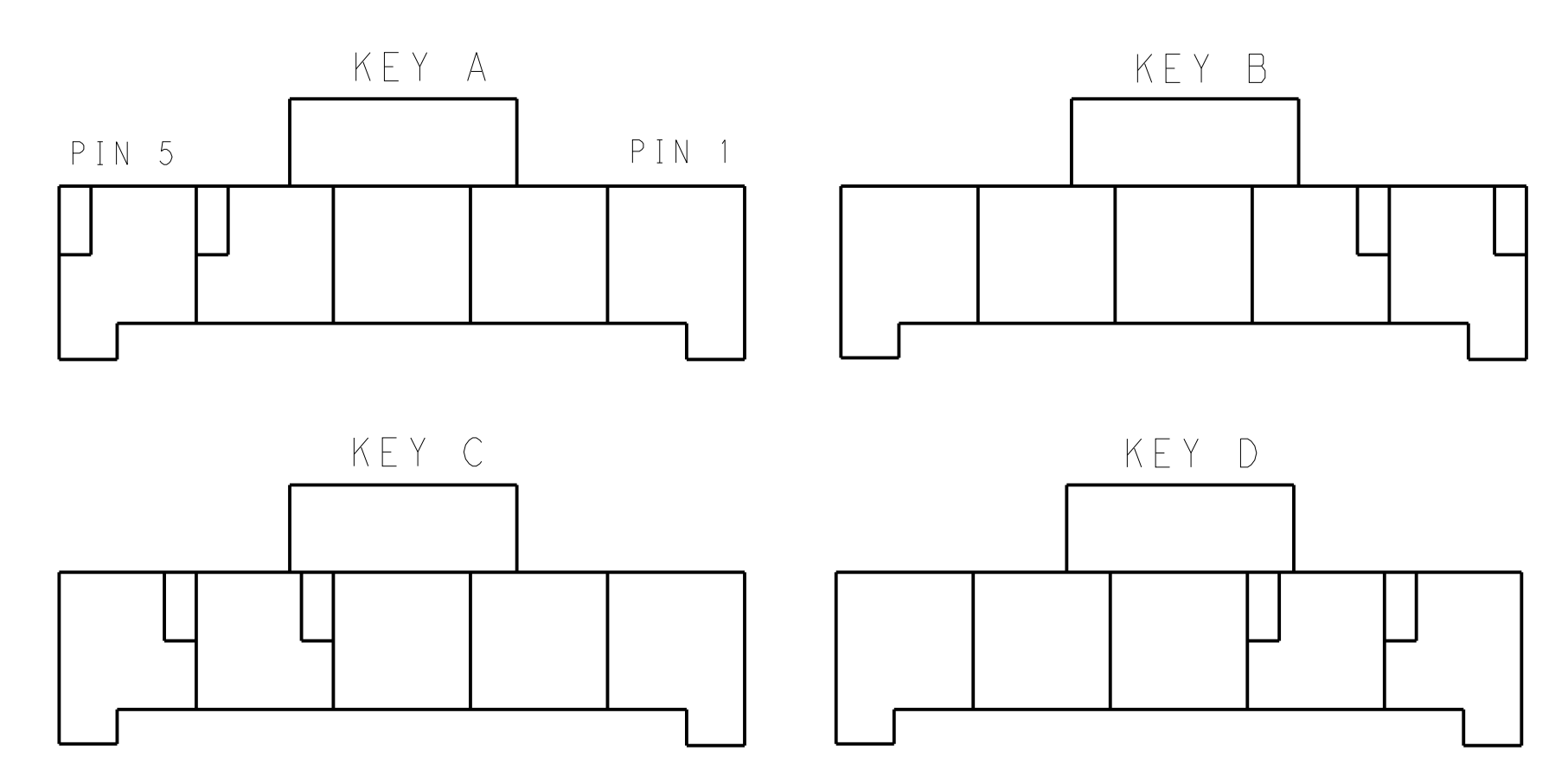
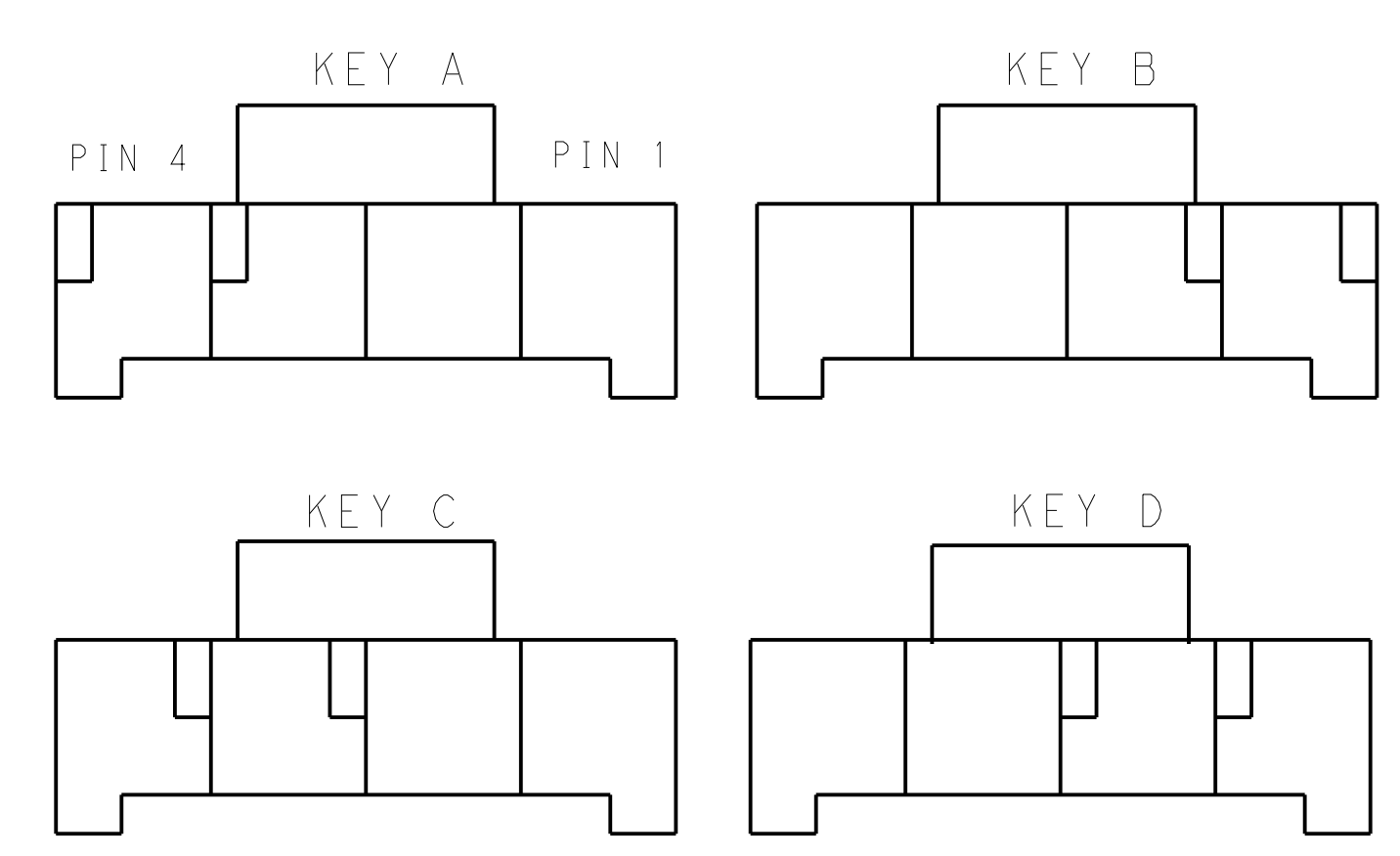
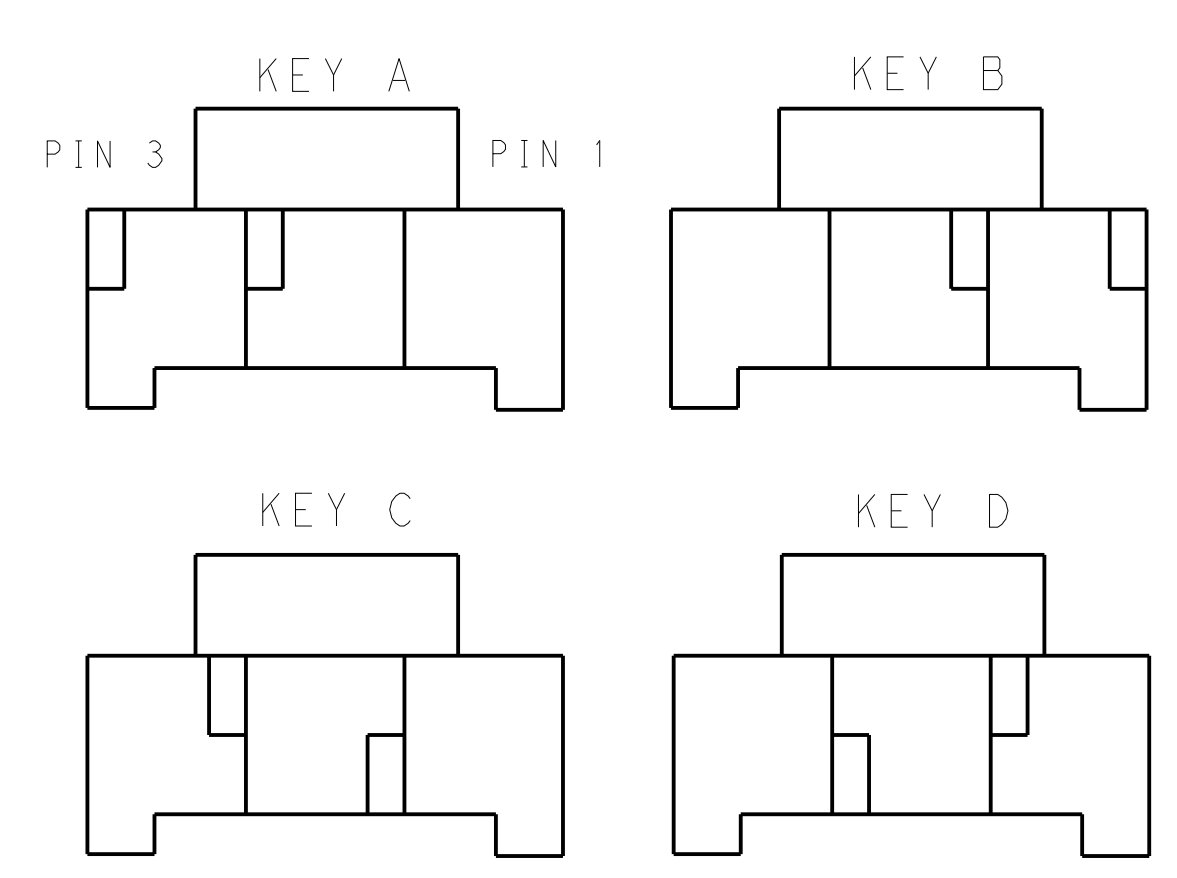
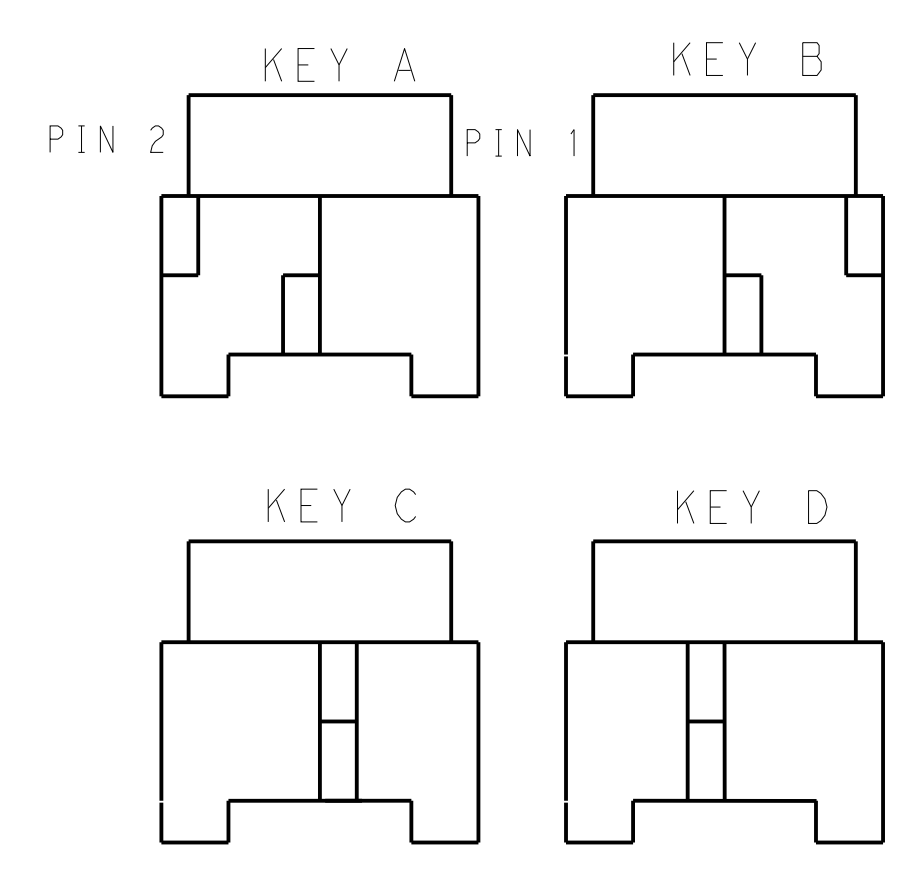


1*2 POSITIONS

1*3 POSITIONS

1*4 POSITIONS

1*5 POSITIONS



KEYING FOR 1*2 POS.

KEYING FOR 1*3 POS.

KEYING FOR 1*4 POS.

KEYING FOR 1*5 POS.

POS.	MATERIAL	COLOR	KEY	P/N
1*5	LEVEL A	DARK GREY	KEY A	5-2232265-7
		BROWN	KEY B	6-2232265-7
		GREEN	KEY C	7-2232265-7
		ORANGE	KEY D	8-2232265-7
1*4	LEVEL B	BLACK	KEY A	1-2232265-3
		DARK GREY	KEY A	5-2232265-4
		BROWN	KEY B	6-2232265-4
		GREEN	KEY C	7-2232265-4
1*3	LEVEL A	ORANGE	KEY D	8-2232265-4
		BLACK	KEY A	1-2232265-2
		DARK GREY	KEY A	5-2232265-3
		BROWN	KEY B	6-2232265-3
1*2	LEVEL A	GREEN	KEY C	7-2232265-3
		ORANGE	KEY D	8-2232265-3
		NATURAL	KEY B	2-2232265-1
		BLACK	KEY A	1-2232265-1

THIS DRAWING IS A CONTROLLED DOCUMENT.

DIMENSIONS:	TOLERANCES UNLESS OTHERWISE SPECIFIED:	OWN: TOMMY WU 26MAR2013	TE Connectivity PLUG HOUSING, SINGLE ROW POWER TRIPLE LOCK
mm	0 PLC ±0.35	CHK: HAPYE WU 26MAR2013	
	1 PLC ±0.25	APPV: YUZHONG MAO 26MAR2013	
	2 PLC ±0.15		
MATERIAL: SEE TABLE	FINISH: -	PRODUCT SPEC: 108-106118	RESTRICTED TO
		APPLICATION SPEC: 114-106118	SIZE: A1
		WEIGHT: -	CAGE CODE: 2232265
		Customer Drawing	SCALE: - SHEET 2 OF 2 REV D

Mouser Electronics

Authorized Distributor

Click to View Pricing, Inventory, Delivery & Lifecycle Information:

[TE Connectivity:](#)

[1-2232265-1](#)