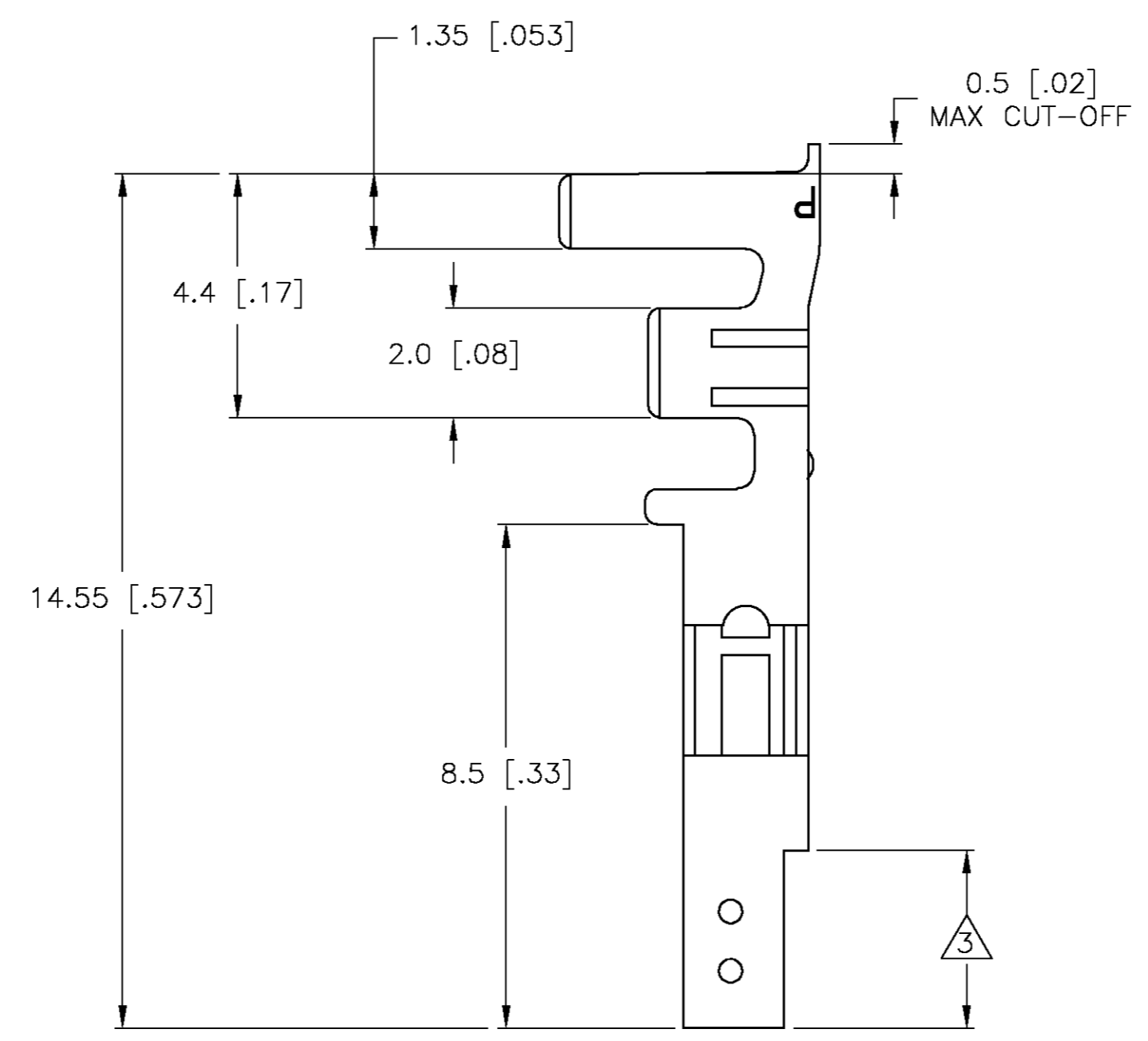
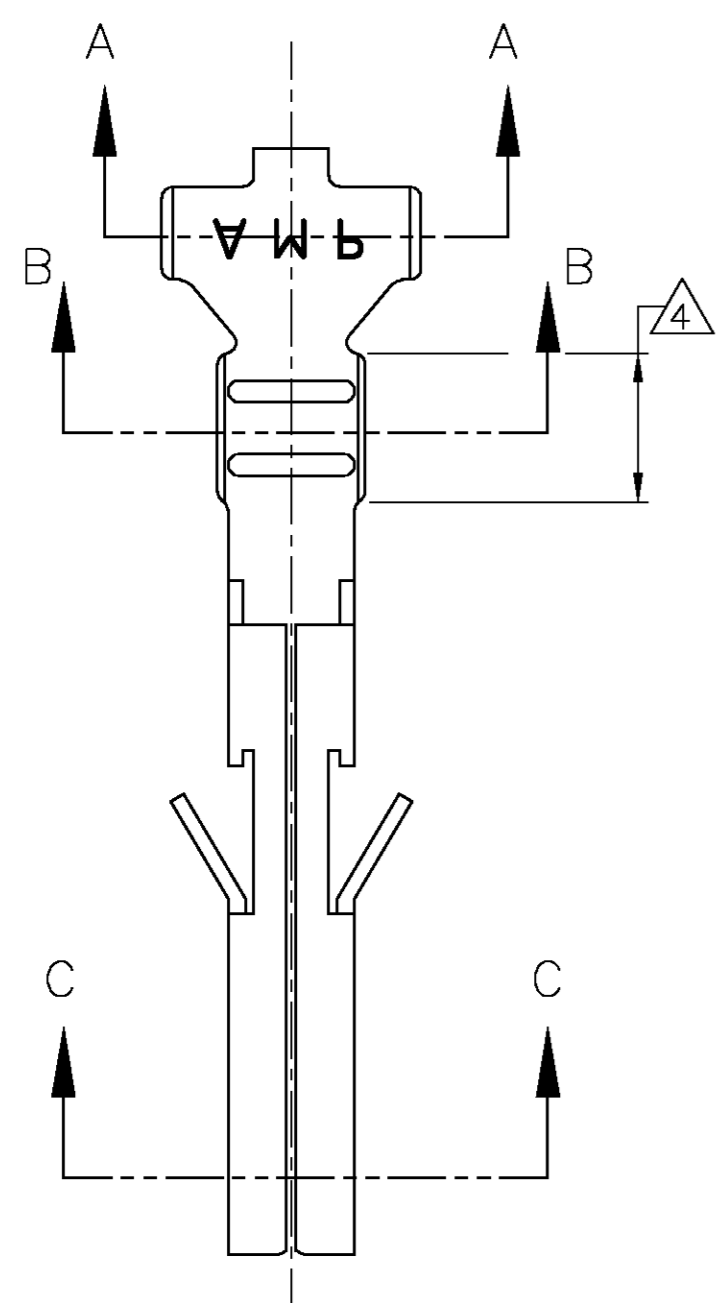
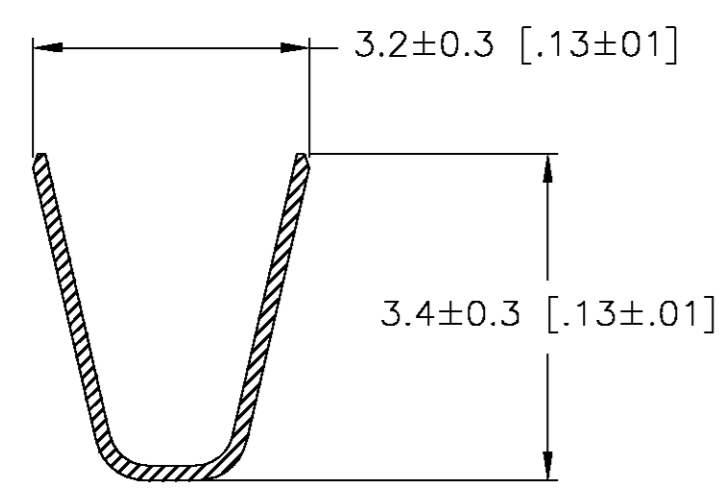


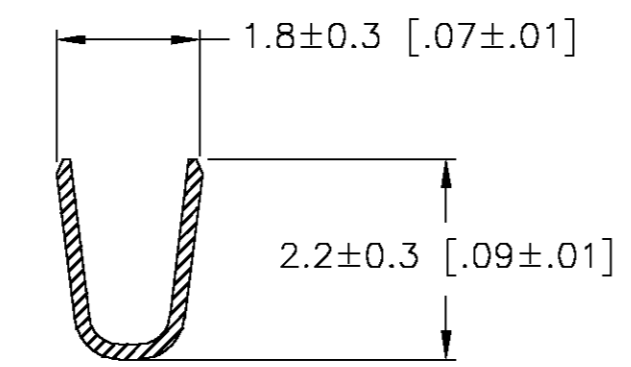
LOC		DIST		REVISIONS			
P	LTR	DESCRIPTION	DATE	DWN	APVD		
0		REVISED PER 0G3B-0689-03	14-OCT-03	SH	DC		



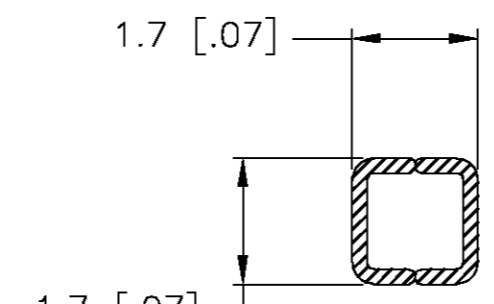
1. WIRE RANGE: 0.13-0.32mm² (22-26 AWG).
 2. INSULATION RANGE: 1.20-1.75 DIA.
- △3 FINISH: 0.76µm MIN GOLD OVER 1.27µm MIN NICKEL REQUIRED ON INNER SURFACE, PERMITTED ON OUTER SURFACE.
- △4 FINISH: 2.54µm MIN TIN ON ALL SURFACES IN THIS AREA.



SECTION A-A



SECTION B-B



SECTION C-C

GOLD △3△4	PHOS. BRZ.	1586317-4
PRE-TIN	PHOS. BRZ.	1586317-3
GOLD △3△4	BRASS	1586317-2
PRE-TIN	BRASS	1586317-1
FINISH:	MATERIAL:	PART NO.

THIS DRAWING IS A CONTROLLED DOCUMENT.

DIMENSIONS: MM [INCHES]	TOLERANCES UNLESS OTHERWISE SPECIFIED: 0 PLC ± 1 PLC ± 0.3 [.01] 2 PLC ± 0.15 [.004] 3 PLC ± 0.050 [.0020] 4 PLC ± ANGLES ± FINISH	DWN S. HOOVER 14-OCT-2003 CHK D. COLEY 14-OCT-2003 APVD D. COLEY 14-OCT-2003	Tyco Electronics Corporation Harrisburg, PA 17105-3608
MATERIAL: _____ WEIGHT: _____ CUSTOMER DRAWING		NAME: _____ APPLICATION SPEC: _____ PRODUCT SPEC: _____	TERMINAL 4.2 mm [.17] PITCH LOOSE PIECE, SOCKET
SIZE: A2 CAGE CODE: 00779 DRAWING NO: 1586317		RESTRICTED TO: _____ SCALE: 10:1 SHEET: 1 OF 1 REV: 0	