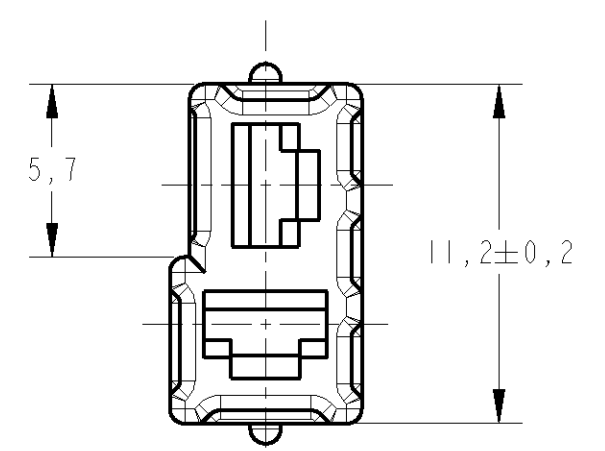
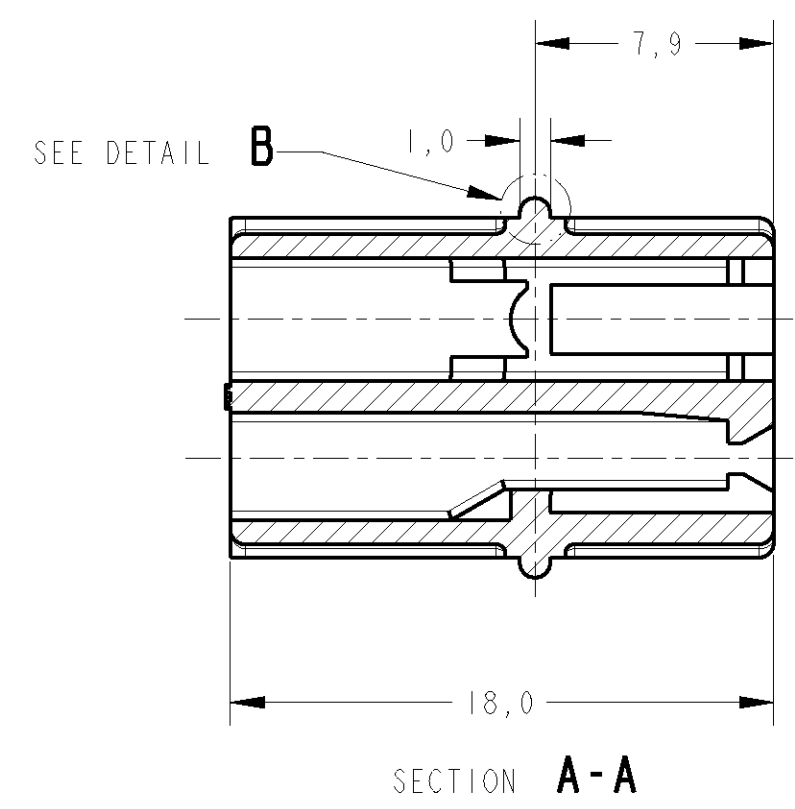
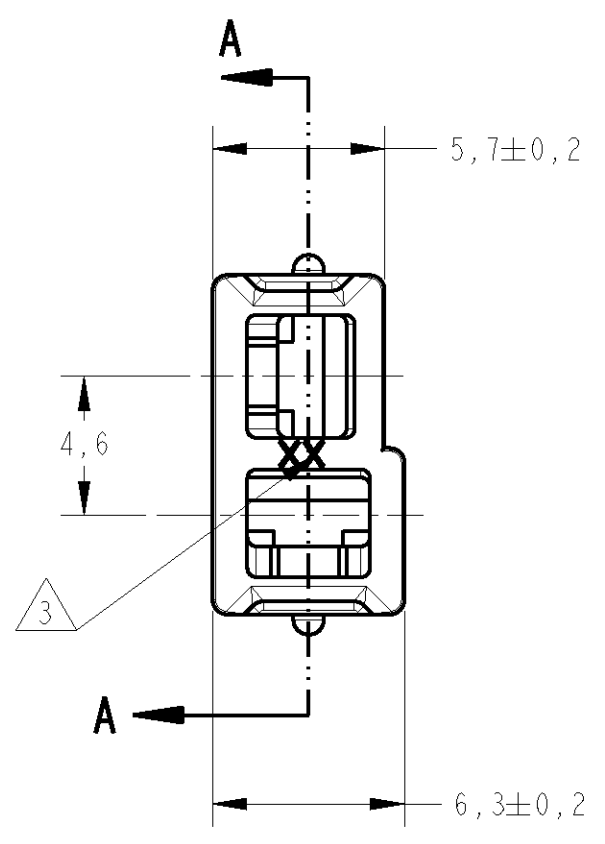


THIS DRAWING IS UNPUBLISHED. RELEASED FOR PUBLICATION
 © COPYRIGHT - BY TYCO ELECTRONICS CORPORATION. ALL RIGHTS RESERVED.

LOC	DIST	REVISIONS			
P	LTR	DESCRIPTION	DATE	DWN	APVD
AP	-				
	J	REVISED BY ECO-06-022171	29OCT2006	NCL	PLF
	K	REVISED BY ECO-06-024906	28NOV2006	RKTL	PLF
	KI	REVISED BY ECO-07-003216	09FEB2007	RKTL	PLF

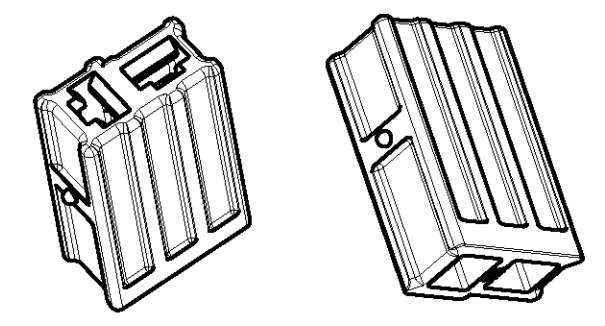
CAD
DO NOT REVISE EXCEPT BY CAD



CONSTRUÇÃO OPCIONAL
 OPTIONAL CONSTRUCTION
 DETAIL B
 SCALE 16:1

GRAVAÇÕES MARKINGS
NÚMERO CAVIDADE CAVITY NUMBER 3

- 1 - TECHSTER T-20000 - SEO;
- 2 - RAW MATERIAL ACC.TO SPEC. IEC 60335-1 GWT 750°C WITHOUT FLAME
MATERIA PRIMA CONFORME IEC 60335-1 GWT 750°C SEM CHAMA.



PERSPECTIVE VIEW
 SCALE 2:1

OBSOLETE

FINISH	MATERIAL	PART NUMBER
NATURAL	PA 6.6 V-0 2	1-0626064-2
NATURAL	PA 6.6 - ZYTEL 103 HSL	1-0626064-1
NATURAL	POLYESTER 1	1-0626064-0
LARANJA/ORANGE	PA 6.6	0-0626064-9
VIOLETA/VIOLET	PA 6.6	0-0626064-8
CINZA/GRAY	PA 6.6	0-0626064-7
MARRON/BROWN	PA 6.6	0-0626064-6
PRETO/BLACK	PA 6.6	0-0626064-5
AMARELO/YELLOW	PA 6.6	0-0626064-4
AZUL/BLUE	PA 6.6	0-0626064-3
VERDE/GREEN	PA 6.6	0-0626064-2
VERMELHO/RED	PA 6.6	0-0626064-1
NATURAL	PA 6.6	0-0626064-0

DIMENSIONS:		TOLERANCES UNLESS OTHERWISE SPECIFIED:	
mm		0 PLC	±-
		1 PLC	±0,15
		2 PLC	±-
		3 PLC	±-
		4 PLC	±-
MATERIAL		ANGLES	±30'
SEE TABLE		FINISH	SEE TABLE

DWN	E. LOPES	14MAR2006	 TYCO ELECTRONICS do Brasil LTDA. Sao Paulo, Brasil
CHK	P. L. FARIA	14MAR2006	
APVD	M. S. OLIVEIRA	14MAR2006	
PRODUCT SPEC	NAME		
APPLICATION SPEC	SIZE		A3
WEIGHT	CAGE CODE		00779
CUSTOMER DRAWING	DRAWING NO		626064
SCALE		SHEET	OF
4		1	REV KI