

**■ Features**

- High current Type.
- Ferrite bobbin core and compact size.
- Low core loss for high frequency power application.
- Large terminal surface for good PCB bonding.
- Operating temperature:-40℃ ~ +125℃.

**■ Applications**

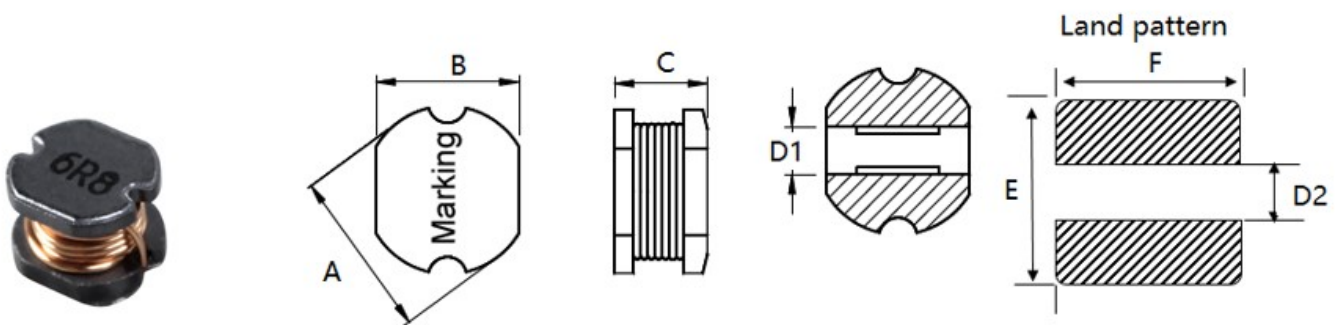
- Portable communication equipment.
- Notebook PC,digital camera,LCD television set.
- Power supply for VTR,OA equipment.
- DC/DC converters.

**■ Product Identification**



- (1) : Type
- (2) : Dimensions
- (3) : Inductance value
- (4): Inductance Tolerance: N=±30%,M=±20%, L=±15%, K=±10%

**■ Shapes and Dimensions (Unit: mm)**



TYPE	A	B	C	D1 Ref.	D2 Ref.	E Ref.	F Ref.
YP0705	7.8±0.3	7.0±0.3	5.0±0.3	2.1	2.0	8.0	7.5

## ■ YP0705 Series

Part Number	Inductance ( $\mu$ H)	L Test Frequency (KHz)	Max.DC Resistance ( $\Omega$ )	Max.Rated Current (A)
YP0705-1R0□	1.00	100	0.012	7.00
YP0705-2R2□	2.20	100	0.020	4.50
YP0705-3R3□	3.30	100	0.023	4.00
YP0705-4R7□	4.70	100	0.025	3.50
YP0705-5R6□	5.60	100	0.034	3.30
YP0705-6R8□	6.80	100	0.042	3.20
YP0705-8R2□	8.20	100	0.070	3.10
YP0705-100□	10.0	100	0.070	2.30
YP0705-120□	12.0	100	0.080	2.00
YP0705-150□	15.0	100	0.090	1.80
YP0705-180□	18.0	100	0.100	1.60
YP0705-220□	22.0	100	0.110	1.50
YP0705-270□	27.0	100	0.120	1.30
YP0705-330□	33.0	100	0.130	1.20
YP0705-390□	39.0	100	0.160	1.10
YP0705-470□	47.0	100	0.180	1.10
YP0705-560□	56.0	100	0.240	0.94
YP0705-680□	68.0	100	0.280	0.85
YP0705-820□	82.0	100	0.370	0.78
YP0705-101□	100	100	0.430	0.72
YP0705-121□	120	100	0.470	0.66
YP0705-151□	150	100	0.640	0.58
YP0705-181□	180	100	0.710	0.51

## ■ YP0705 Series

Part Number	Inductance (uH)	L Test Frequency (KHz)	Max.DC Resistance (Ω)	Max.Rated Current (A)
YP0705-221□	220	100	0.960	0.49
YP0705-271□	270	100	1.110	0.42
YP0705-331□	330	100	1.260	0.40
YP0705-391□	390	100	1.770	0.36
YP0705-471□	470	100	1.960	0.34
YP0705-561□	560	100	2.000	0.33
YP0705-681□	680	100	2.200	0.32
YP0705-821□	820	100	2.900	0.25
YP0705-102□	1000	100	3.600	0.23
YP0705-222□	2200	100	7.440	0.15

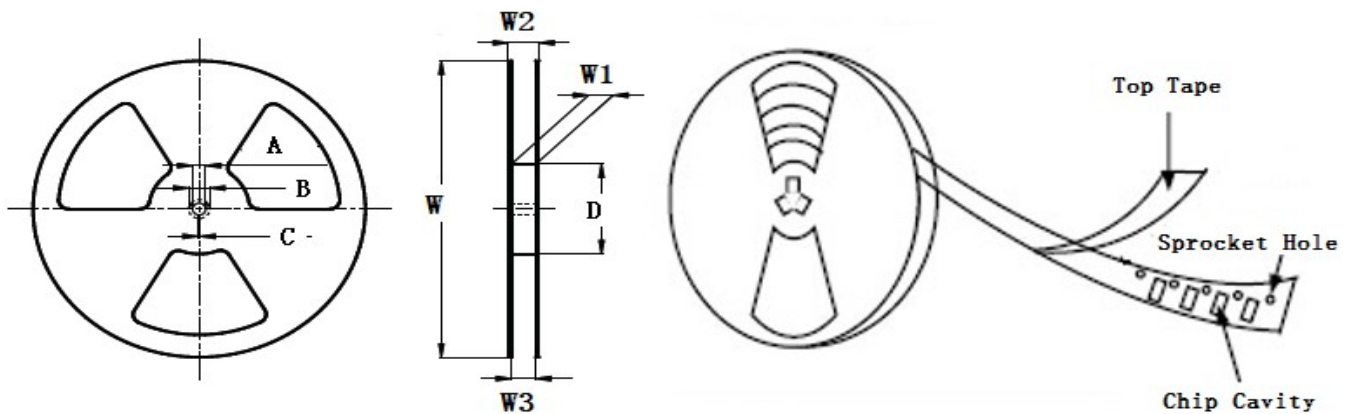
- ※ The saturation current value is the DC current value having inductance decrease down to 30%. (at 20°C)
- ※ The temperature rise current value is the DC current value having temperature increase up to 40°C. (at 20°C)
- ※ The rated current is the DC current value that satisfies both of current value saturation current value and temperature rise current value.

**■ Taping Dimensions(Unit:mm)**



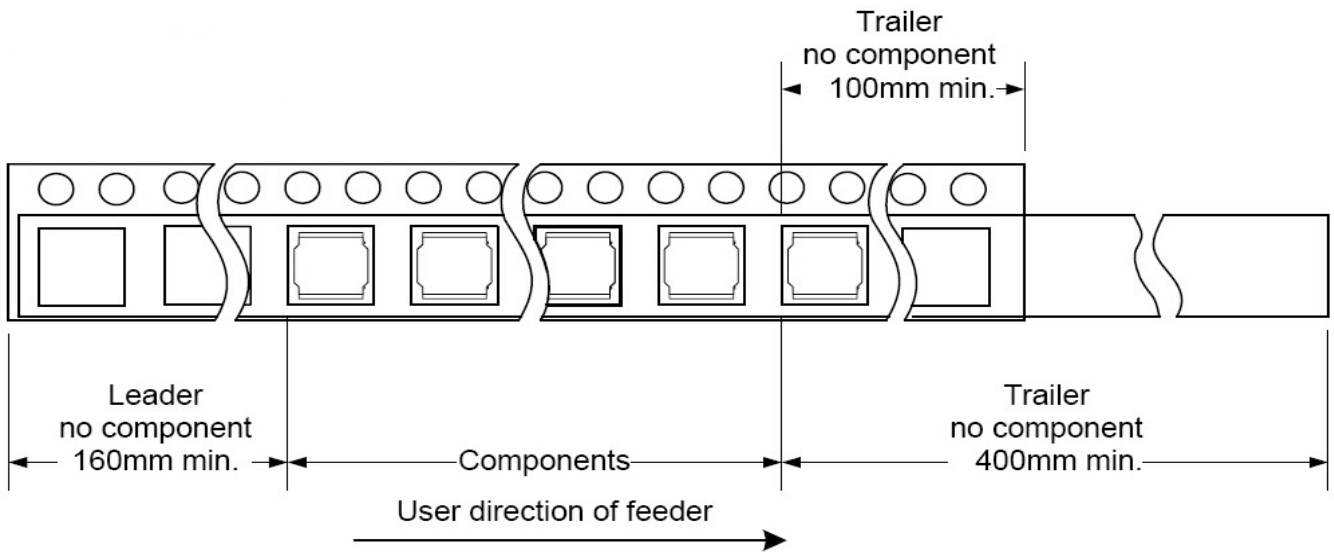
TYPE	W	A	B	C	D	E	P	K Ref	T	MPQ
YP0705	16±0.3	6.85±0.1	7.95±0.1	6.75	7.5±0.1	5.50±0.1	12.0±0.1	5.70	0.40±0.05	1000

**■ Reel Dimensions(Unit:mm)**



TYPE	W	W1	W2	W3	A	B	C	D
YP0705	330±2.0	16.4±1.50	22.4MAX	15.9 Min	13.0±0.50	21.0±0.80	2.0±0.50	100 Min

**Direction of rolling**



**Cover tape peel off condition**



Cover tape peel force shall be 0.1N to 1.3N.

Reference peel speed 300±10mm/min.